



Factory-fit option

OW DRIVE 4D

OW REINFORCED PUMP TP

Observe additional system documents!

General instructions

CAUTION



Read the operating instructions!

The operating instructions provide an introduction to the safe use of the products.

- Read the operating instructions for all system components!
- Observe accident prevention regulations!
- Observe all local regulations!
- Confirm with a signature where appropriate.

NOTE



In the event of queries on installation, commissioning, operation or special conditions at the installation site, or on usage, please contact your sales partner or our customer service department on +49 2680 181-0.

A list of authorised sales partners can be found at www.ewm-group.com.

Liability relating to the operation of this equipment is restricted solely to the function of the equipment. No other form of liability, regardless of type, shall be accepted. This exclusion of liability shall be deemed accepted by the user on commissioning the equipment.

The manufacturer is unable to monitor whether or not these instructions or the conditions and methods are observed during installation, operation, usage and maintenance of the equipment.

An incorrectly performed installation can result in material damage and injure persons as a result. For this reason, we do not accept any responsibility or liability for losses, damages or costs arising from incorrect installation, improper operation or incorrect usage and maintenance or any actions connected to this in any way.

1 Contents

1 Contents	3
2 Safety instructions	4
2.1 For your safety	4
2.2 Proper usage	5
2.3 Transport and installation	5
3 General	5
3.1 System overview.....	6
4 Technical data	7

2 Safety instructions

2.1 For your safety

DANGER



- Do not carry out any unauthorised repairs or modifications!**
To avoid injury and equipment damage, the unit must only be repaired or modified by specialist, skilled persons!
The warranty becomes null and void in the event of unauthorised interference.
- Appoint only skilled persons for repair work (trained service personnel)!

WARNING



Risk of accidents if these safety instructions are not observed!
Non-observance of these safety instructions is potentially fatal!

- Carefully read the safety information in this manual!
- Observe the accident prevention regulations in your country.
- Inform persons in the working area that they must observe the regulations!



Validity of this document!

This document is only valid in combination with the operating instructions for the power source being used (welding machine)!

- Read the operating instructions, in particular the safety instructions for the power source (welding machine)!

CAUTION



Hazards due to electrical current!

If two wire feed units are used in turn and both units remain connected to the machine, open circuit or welding voltage is present in all lines.

- Always make sure to place the torch on an insulated surface when starting or interrupting your work.

CAUTION



Obligations of the operator!

The respective national directives and laws must be observed for operation of the machine!

- National implementation of the framework directive (89/391/EEG), as well as the associated individual directives.
- In particular, directive (89/655/EEG), on the minimum regulations for safety and health protection when staff members use equipment during work.
- The regulations regarding work safety and accident prevention for the respective country.
- Setting up and operating the machine according to IEC 60974-9.
- Check at regular intervals that users are working in a safety-conscious way.
- Regular checks of the machine according to IEC 60974-4.



Damage due to the use of non-genuine parts!

The manufacturer's warranty becomes void if non-genuine parts are used!

- Only use system components and options (power sources, welding torches, electrode holders, remote controls, spare parts and replacement parts, etc.) from our range of products!
- Only insert and lock accessory components into the relevant connection socket when the machine is switched off.

2.2 Proper usage

This machine has been manufactured according to the latest developments in technology and current regulations and standards. It must only be operated in line with the instructions on correct usage.

WARNING



Hazards due to improper usage!

Hazards may arise for persons, animals and material objects if the equipment is not used correctly. No liability is accepted for any damages arising from improper usage!

- The equipment must only be used in line with proper usage and by trained or expert staff!
- Do not modify or convert the equipment improperly!

2.3 Transport and installation

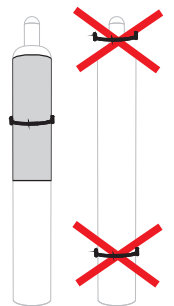
DANGER



Risk of injury caused by shielding gas cylinders toppling over!

Shielding gas cylinders may topple over and cause serious injury if not adequately secured!

- Secure shielding gas cylinders with the securing device (chain/strap) supplied as standard with the machine!
- Securing devices must fit tightly around the cylinder!
- The strap or chain must be fitted to the upper half of the shielding gas cylinders!
- Cylinders may not be secured at the valve!



3 General

CAUTION



These supplementary sheets are valid in addition to the standard document!

These supplementary sheets are only valid in combination with the relevant standard operating instructions and expand on or replace a section in the corresponding standard descriptions.

NOTE



- **Keep the conversion instructions with the machine documentation!**
- **When ordering spare parts, ensure that the item number and serial number of the machine are quoted!**

3.1 System overview

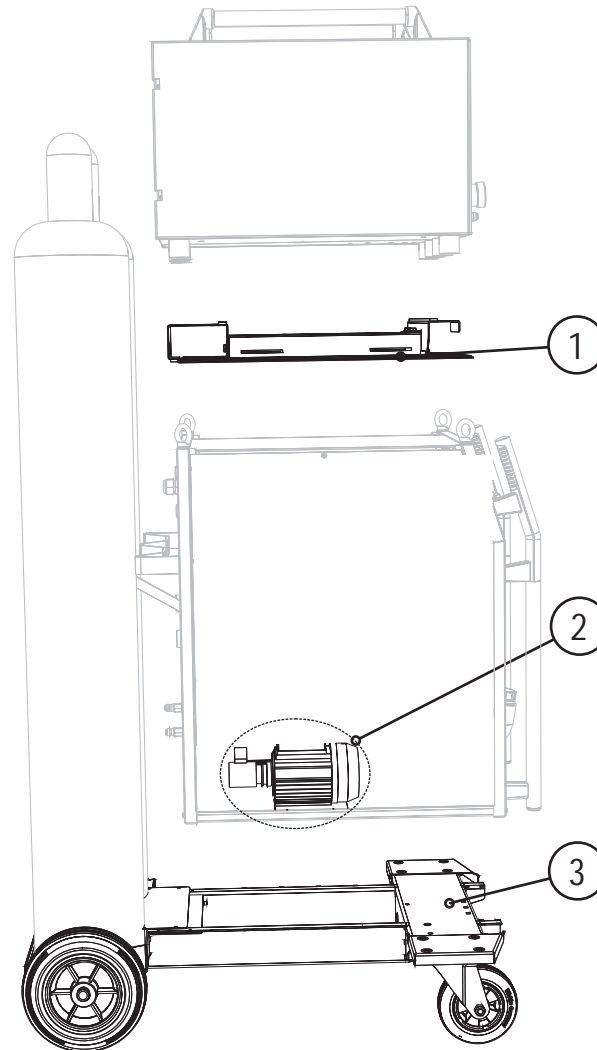


Figure 3-1

Item	Symbol	Description
1		Holding plate OW DRIVE 4D
2		Heavy-duty pump OW REINFORCED PUMP TP
3		wheel spacers OW DRIVE 4D

CAUTION




Risk of accident due to unsuitable power source!

The power source intended for operation with this machine must be equipped with the following options:

- Holding plate for twin case and wheel spacers (OW DRIVE 4D)
- Heavy-duty pump (OW REINFORCED PUMP TP)

4 Technical data


NOTE

 The technical data given here completes or replaces the respective values in the standard operating instructions.

Type	PHOENIX 421, 451, 521 PHOENIX 331, 431, 531 alpha Q 351, 551
Cooling output at 2 l/min ¹	1500 W
Max. flow rate ¹	20 l/min
Max. coolant output pressure ¹	4.5 bar
Dimensions L x W x H in mm	1100 x 680 x 1000
Weight	+24 kg

(¹) Machines with integrated welding torch cooling

NOTE

 **Technical data limit values**
The limit values determination from technical data is calculated taking account of the combined system as a whole (cooling unit and welding machine).