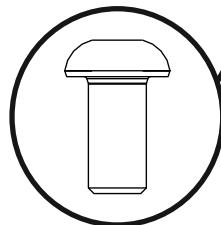
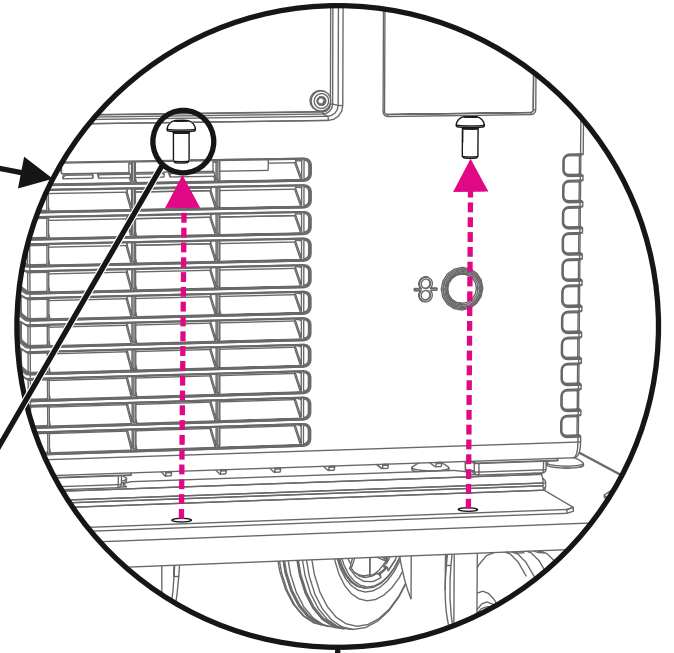
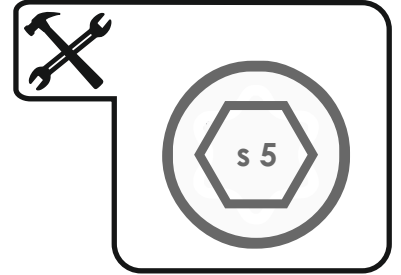
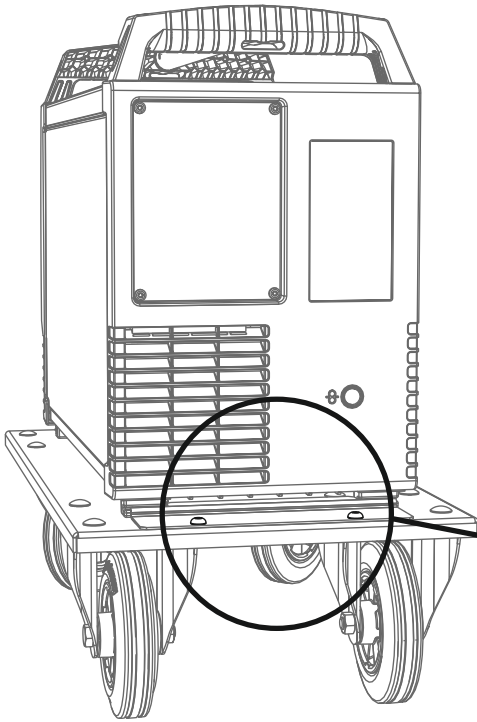




SR (094-019341-00000)



2 x M8x16

