



EN

Retrofit option

ON WAKD2 4L/41L

Wheel assembly kit

099-008151-EW501

Observe additional system documents!

22.06.2017

**Register now
and benefit!
Jetzt Registrieren
und Profitieren!**

www.ewm-group.com



General instructions

WARNING



Read the operating instructions!

The operating instructions provide an introduction to the safe use of the products.

- Read and observe the operating instructions for all system components, especially the safety instructions and warning notices!
- Observe the accident prevention regulations and any regional regulations!
- The operating instructions must be kept at the location where the machine is operated.
- Safety and warning labels on the machine indicate any possible risks. Keep these labels clean and legible at all times.
- The machine has been constructed to state-of-the-art standards in line with any applicable regulations and industrial standards. Only trained personnel may operate, service and repair the machine.
- Technical changes due to further development in machine technology may lead to a differing welding behaviour.



In the event of queries on installation, commissioning, operation or special conditions at the installation site, or on usage, please contact your sales partner or our customer service department on +49 2680 181-0.

A list of authorised sales partners can be found at www.ewm-group.com.

Liability relating to the operation of this equipment is restricted solely to the function of the equipment. No other form of liability, regardless of type, shall be accepted. This exclusion of liability shall be deemed accepted by the user on commissioning the equipment.

The manufacturer is unable to monitor whether or not these instructions or the conditions and methods are observed during installation, operation, usage and maintenance of the equipment.

An incorrectly performed installation can result in material damage and injure persons as a result. For this reason, we do not accept any responsibility or liability for losses, damages or costs arising from incorrect installation, improper operation or incorrect usage and maintenance or any actions connected to this in any way.

© EWM AG

Dr. Günter-Henle-Straße 8

56271 Mündersbach

Germany

The copyright to this document remains the property of the manufacturer.

Copying, including extracts, only permitted with written approval.

The content of this document has been prepared and reviewed with all reasonable care. The information provided is subject to change; errors excepted.

1 For your safety

1.1 Safety instructions

WARNING



Do not carry out any unauthorised repairs or modifications!

To avoid injury and equipment damage, the unit must only be repaired or modified by specialist, skilled persons!

The warranty becomes null and void in the event of unauthorised interference.

- Appoint only skilled persons for repair work (trained service personnel)!



Risk of accidents due to non-compliance with the safety instructions!

Non-compliance with the safety instructions can be fatal!

- Carefully read the safety instructions in this manual!
- Observe the accident prevention regulations and any regional regulations!
- Inform persons in the working area that they must comply with the regulations!



This document is valid only in combination with the operating instructions for the product being used!

- ***Read and observe the operating instructions for all system components, especially the safety instructions!***

2 Intended use

2.1 General

WARNING



Hazards due to improper usage!

The machine has been constructed to the state of the art and any regulations and standards applicable for use in industry and trade. It may only be used for the welding procedures indicated at the rating plate. Hazards may arise for persons, animals and material objects if the equipment is not used correctly. No liability is accepted for any damages arising from improper usage!

- The equipment must only be used in line with its designated purpose and by trained or expert personnel!
- Do not improperly modify or convert the equipment!

2.2 Applications

Use the option described below to add a wheel set to a wire feeder.

These instructions apply only for the conversion of the following machines:

- Pico drive 4L
- Saturn M1.02 drive 41L
- Saturn M2.20 drive 41L
- Saturn M2.40 drive 41L
- Taurus drive 4L Basic
- Tatrix drive 4L
- Wega M1.02 drive 41L
- Wega M2.20 drive 41L
- Wega M2.40 drive 41L

2.3 Short description of the working steps required

- Prepare the wire feeder
- Install the wheel assembly kit
- Perform final inspection

3 Conversion

3.1 General

⚠ DANGER



Risk of injury from electric shock!

Servicing machines that are not disconnected from the mains can lead to serious injuries!

- Disconnect the machine completely from the mains.
Pull out the mains plug!
- Wait for 4 minutes until the capacitors have discharged!

3.2 Parts list

👉 Before conversion, check that the retrofit kit is complete (see parts list).

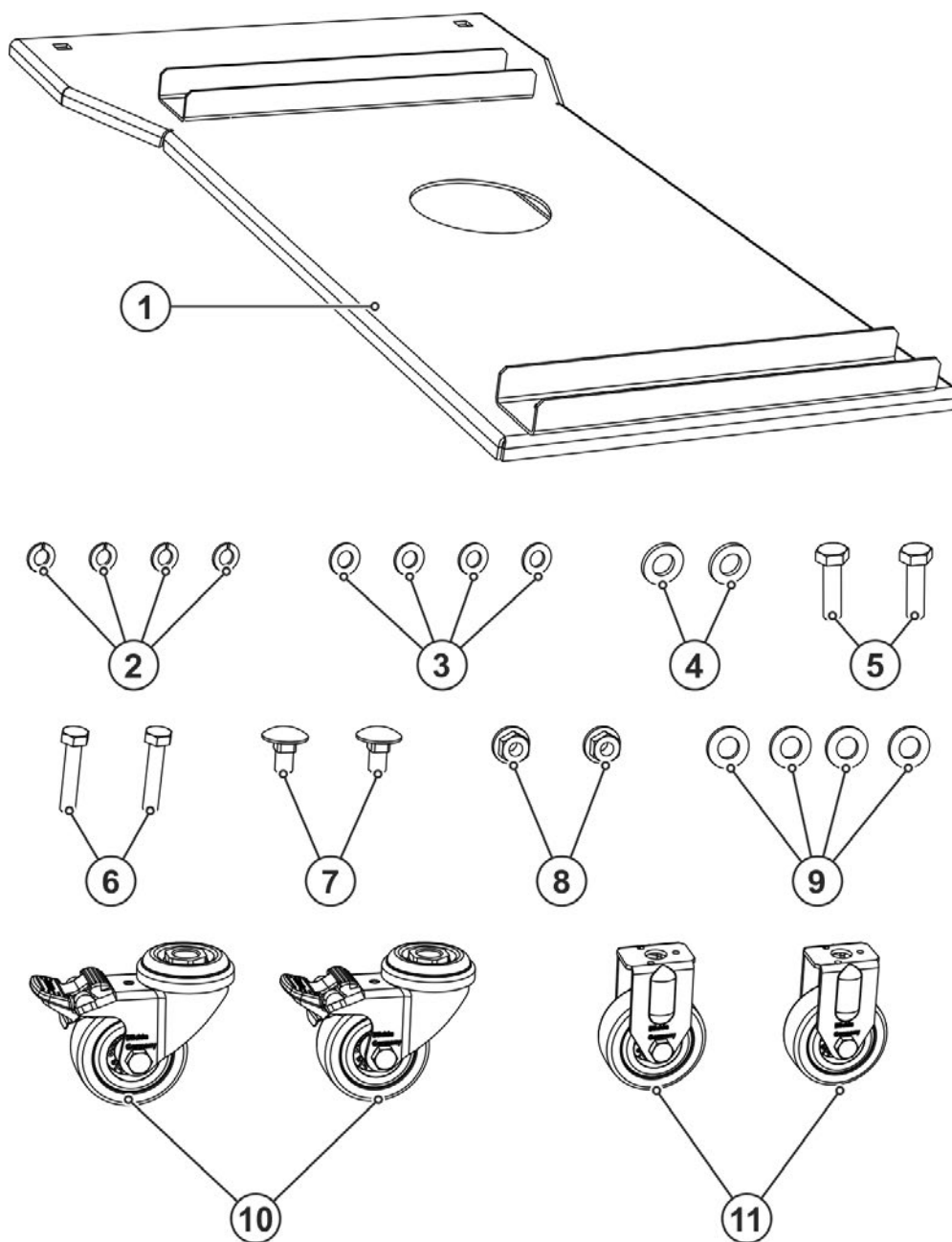


Figure 3-1

Item	Quantity	Description	Item number
1	1	Assembly panel	094-007937-00002
2	4	M8 spring washer	064-000596-00000
3	4	M8 plain washer	064-000586-00000
4	2	M12 plain washer	064-000589-00000
5	2	M8 X 30, Hexagonal screw	094-011614-00000
6	2	M8 x 40 mm, hexagonal screw	064-000659-00000
7	2	M8 X 16, mushroom head bolt	094-001125-00000
8	2	M8, serrated washer nut	064-000560-00000
9	4	M10 plain washer	064-000588-00000
10	2	Guide castor with caging device	094-007931-00000
11	2	Fixed castor	094-007932-00000

3.3 Assembly

3.3.1 Preparing the wire feeder

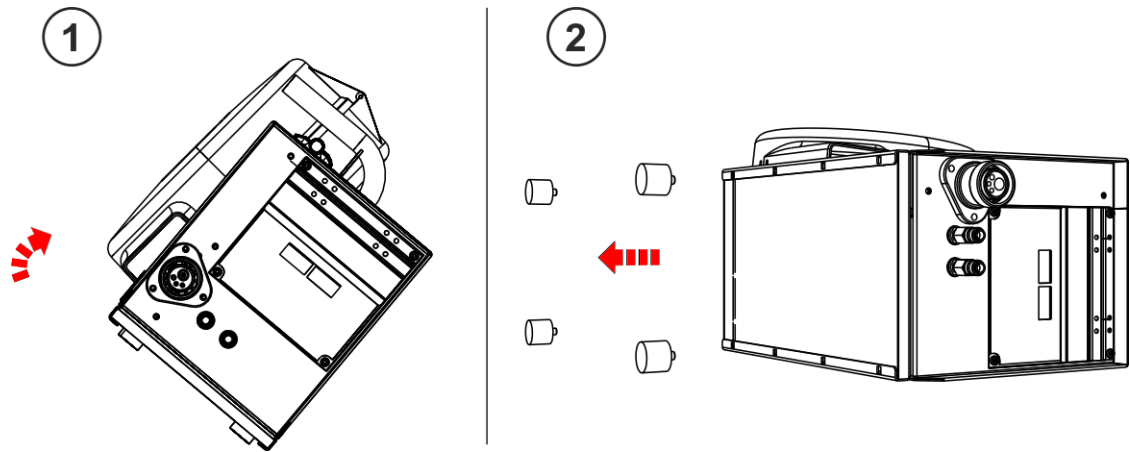


Figure 3-2

- Disconnect the wire feeder from the power source.
- Remove the wire spool from the wire feeder.
- Place the wire feeder on its side as shown.
- Unscrew and remove the machine feet.

3.3.2 Installing the wheel assembly kit

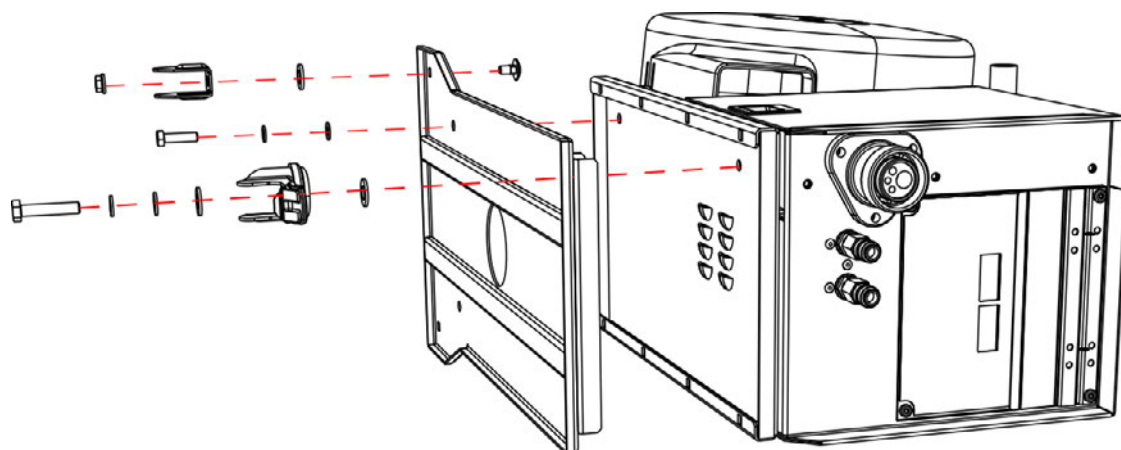


Figure 3-3

- Unscrew the wheels from the fixed and guide castors.
 - Put an M8 spring lock washer, an M8 plain washer and an M10 plain washer each onto the M8 x 40 hexagonal screws.
 - Insert the M8 x 40 hexagonal screws into the guide castor support.
 - Put an M10 plain washer each onto the M8 x 40 hexagonal screws.
 - With the hexagonal screws, screw the assembly panel to the wire feeder.
- Put an M8 spring lock washer and an M8 plain washer each onto the M8 x 30 hexagonal screws.
- With the hexagonal screws, screw the assembly panel to the wire feeder.
 - From above, insert the M8 x 16 mushroom head bolts through the assembly panel.
 - Put an M12 plain washer onto the mushroom head bolts.
 - Screw the fixed castor support using one M8 hexagonal nut each to the mushroom head bolts.
 - Screw the wheels to the fixed and guide castors.

3.4 Final inspection

WARNING



Danger due to failure to carry out the final inspection!

Parts that are incorrectly fitted or that become loose are a source of danger.

- Check all mechanical connections to ensure that they are fitted correctly!
- Carry out the final inspection!
- Carry out the functional test!



Keep the conversion instructions with the machine documentation!

When ordering spare parts, ensure that the item number and serial number of the machine are quoted!