



EN

Power source

Tetrix XQ 230 puls DC Comfort 3.0

Tetrix XQ 230 puls AC/DC Comfort 3.0

Tetrix XQ 230 puls DC Expert 3.0

Tetrix XQ 230 puls AC/DC Expert 3.0

099-005630-EW501

Observe additional system documents!

02.03.2021

**Register now
and benefit!
Jetzt Registrieren
und Profitieren!**

www.ewm-group.com



General instructions

WARNING



Read the operating instructions!

The operating instructions provide an introduction to the safe use of the products.

- Read and observe the operating instructions for all system components, especially the safety instructions and warning notices!
- Observe the accident prevention regulations and any regional regulations!
- The operating instructions must be kept at the location where the machine is operated.
- Safety and warning labels on the machine indicate any possible risks. Keep these labels clean and legible at all times.
- The machine has been constructed to state-of-the-art standards in line with any applicable regulations and industrial standards. Only trained personnel may operate, service and repair the machine.
- Technical changes due to further development in machine technology may lead to a differing welding behaviour.

In the event of queries on installation, commissioning, operation or special conditions at the installation site, or on usage, please contact your sales partner or our customer service department on +49 2680 181-0.

A list of authorised sales partners can be found at www.ewm-group.com/en/specialist-dealers.

Liability relating to the operation of this equipment is restricted solely to the function of the equipment. No other form of liability, regardless of type, shall be accepted. This exclusion of liability shall be deemed accepted by the user on commissioning the equipment.

The manufacturer is unable to monitor whether or not these instructions or the conditions and methods are observed during installation, operation, usage and maintenance of the equipment.

An incorrectly performed installation can result in material damage and injure persons as a result. For this reason, we do not accept any responsibility or liability for losses, damages or costs arising from incorrect installation, improper operation or incorrect usage and maintenance or any actions connected to this in any way.

© EWM AG

Dr. Günter-Henle-Strasse 8
56271 Mündersbach Germany
Tel.: +49 2680 181-0, Fax: -244
Email: info@ewm-group.com
www.ewm-group.com

The copyright to this document remains the property of the manufacturer.

Copying, including extracts, only permitted with written approval.

The content of this document has been prepared and reviewed with all reasonable care. The information provided is subject to change; errors excepted.

1

Contents

1	Contents	3
2	For your safety	6
2.1	Notes on using these operating instructions.....	6
2.2	Explanation of icons.....	7
2.3	Safety instructions.....	8
2.4	Transport and installation	11
3	Intended use	13
3.1	Applications.....	13
3.2	Use and operation solely with the following machines	13
3.3	Documents which also apply	14
3.3.1	Warranty	14
3.3.2	Declaration of Conformity.....	14
3.3.3	Welding in environments with increased electrical hazards.....	14
3.3.4	Service documents (spare parts and circuit diagrams).....	14
3.3.5	Calibration/Validation.....	14
3.3.6	Part of the complete documentation.....	15
4	Machine description – quick overview	16
4.1	Front view / rear view.....	16
5	Design and function	18
5.1	Transport and installation	18
5.1.1	Ambient conditions	19
5.1.1.1	In operation	19
5.1.1.2	Transport and storage.....	19
5.1.2	Machine cooling.....	19
5.1.3	Workpiece lead, general.....	19
5.1.4	Transport belt	20
5.1.4.1	Adjusting the length of the carrying strap	20
5.1.5	Dirt filter	20
5.1.6	Welding torch cooling system.....	20
5.1.7	Notes on the installation of welding current leads	22
5.1.8	Stray welding currents	24
5.1.9	Mains connection.....	25
5.1.9.1	Mains configuration	25
5.1.10	LED status bar - display of operating status	25
5.1.11	Protective flap, welding machine control	26
5.1.12	Wear part compartment.....	26
5.2	TIG welding.....	26
5.2.1	Welding torch and workpiece line connection	26
5.2.1.1	Control lead connection	27
5.2.2	Shielding gas supply (shielding gas cylinder for welding machine)	27
5.2.2.1	Pressure regulator connection	28
5.2.2.2	Shielding gas hose connection	28
5.3	MMA welding	29
5.3.1	Connecting the electrode holder and workpiece lead	29
5.4	Remote control.....	29
5.4.1	RT1 19POL.....	29
5.4.2	RTG1 19POL	29
5.4.3	RTF1 19POL	29
5.5	Interfaces for automation	30
5.5.1	Remote control connection socket, 19-pole	30
5.6	Network connection	31
6	Maintenance, care and disposal	32
6.1	General	32
6.2	Explanation of icons.....	33
6.3	Maintenance schedule	34
6.3.1	Coolant error.....	35
6.3.2	Dirt filter	36

6.3.3	Power source (inverter)	37
6.3.4	Heat exchanger (torch cooling).....	39
6.3.5	Annual test (inspection and testing during operation)	40
6.4	Disposing of equipment.....	40
7	Rectifying faults.....	41
7.1	Checklist for rectifying faults	41
7.2	Warnings	42
7.3	Error messages (power source).....	44
7.4	Vent coolant circuit.....	48
8	Technical data.....	49
8.1	Dimensions and weighte	49
8.2	Tetrix XQ 230 puls DC	50
8.3	Tetrix XQ 230 puls AC/DC	51
9	Accessories	52
9.1	General accessories	52
9.2	Remote controls and accessories.....	52
9.2.1	19-pole connection	52
9.2.2	Welding torch cooling system	52
9.2.2.1	Coolant - type blueCool.....	52
9.2.2.2	Coolant - type KF	52
9.3	Transport system	52
9.4	Options.....	53
10	Appendix	54
10.1	Searching for a dealer.....	54

2 For your safety

2.1 Notes on using these operating instructions

DANGER

Working or operating procedures which must be closely observed to prevent imminent serious and even fatal injuries.

- Safety notes include the "DANGER" keyword in the heading with a general warning symbol.
- The hazard is also highlighted using a symbol on the edge of the page.

WARNING

Working or operating procedures which must be closely observed to prevent serious and even fatal injuries.

- Safety notes include the "WARNING" keyword in the heading with a general warning symbol.
- The hazard is also highlighted using a symbol in the page margin.

CAUTION

Working or operating procedures which must be closely observed to prevent possible minor personal injury.

- The safety information includes the "CAUTION" keyword in its heading with a general warning symbol.
- The risk is explained using a symbol on the edge of the page.



Technical aspects which the user must observe to avoid material or equipment damage.

Instructions and lists detailing step-by-step actions for given situations can be recognised via bullet points, e.g.:

- Insert the welding current lead socket into the relevant socket and lock.

2.2 Explanation of icons

Symbol	Description	Symbol	Description
	Indicates technical aspects which the user must observe.		Activate and release / Tap / Tip
	Switch off machine		Release
	Switch on machine		Press and hold
			Switch
	Incorrect / Invalid		Turn
	Correct / Valid		Numerical value – adjustable
	Input		Signal light lights up in green
	Navigation		Signal light flashes green
	Output		Signal light lights up in red
	Time representation (e.g.: wait 4 s / actuate)		Signal light flashes red
	Interruption in the menu display (other setting options possible)		
	Tool not required/do not use		
	Tool required/use		

2.3 Safety instructions

WARNING



Risk of accidents due to non-compliance with the safety instructions!

Non-compliance with the safety instructions can be fatal!

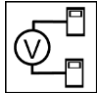
- Carefully read the safety instructions in this manual!
- Observe the accident prevention regulations and any regional regulations!
- Inform persons in the working area that they must comply with the regulations!



Risk of injury from electrical voltage!

Voltages can cause potentially fatal electric shocks and burns on contact. Even low voltages can cause a shock and lead to accidents.

- Never touch live components such as welding current sockets or stick, tungsten or wire electrodes!
- Always place torches and electrode holders on an insulated surface!
- Wear the full personal protective equipment (depending on the application)!
- The machine may only be opened by qualified personnel!
- The device must not be used to defrost pipes!



Hazard when interconnecting multiple power sources!

If a number of power sources are to be connected in parallel or in series, only a technical specialist may interconnect the sources as per standard IEC 60974-9:2010: Installation and use and German Accident Prevention Regulation BVG D1 (formerly VBG 15) or country-specific regulations.

Before commencing arc welding, a test must verify that the equipment cannot exceed the maximum permitted open circuit voltage.

- Only qualified personnel may connect the machine.
- When taking individual power sources out of operation, all mains and welding current leads must be safely disconnected from the welding system as a whole. (Hazard due to reverse polarity voltage!)
- Do not interconnect welding machines with pole reversing switch (PWS series) or machines for AC welding since a minor error in operation can cause the welding voltages to be combined, which is not permitted.



Risk of injury due to radiation or heat!

Arc radiation can lead to skin and eye injuries.

Contact with hot workpieces and sparks can lead to burns.

- Use hand shield or welding helmet with the appropriate safety level (depends on the application).
- Wear dry protective clothing (e.g. hand shield, gloves, etc.) in accordance with the applicable regulations of your country.
- Persons who are not directly involved should be protected with a welding curtain or suitable safety screen against radiation and the risk of blinding!

 **WARNING****Risk of injury due to improper clothing!**

During arc welding, radiation, heat and voltage are sources of risk that cannot be avoided. The user has to be equipped with the complete personal protective equipment at all times. The protective equipment has to include:

- Respiratory protection against hazardous substances and mixtures (fumes and vapours); otherwise implement suitable measures such as extraction facilities.
- Welding helmet with proper protection against ionizing radiation (IR and UV radiation) and heat.
- Dry welding clothing (shoes, gloves and body protection) to protect against warm environments with conditions comparable to ambient temperatures of 100 °C or higher and arcing and work on live components.
- Hearing protection against harming noise.

**Explosion risk!**

Apparently harmless substances in closed containers may generate excessive pressure when heated.

- Move containers with inflammable or explosive liquids away from the working area!
- Never heat explosive liquids, dusts or gases by welding or cutting!

**Fire hazard!**

Due to the high temperatures, sparks, glowing parts and hot slag that occur during welding, there is a risk of flames.

- Be watchful of potential sources of fire in the working area!
- Do not carry any easily inflammable objects, e.g. matches or lighters.
- Ensure suitable fire extinguishers are available in the working area!
- Thoroughly remove any residue of flammable materials from the workpiece prior to starting to weld.
- Only further process workpieces after they have cooled down. Do not allow them to contact any flammable materials!

⚠ CAUTION



Smoke and gases!

Smoke and gases can lead to breathing difficulties and poisoning. In addition, solvent vapour (chlorinated hydrocarbon) may be converted into poisonous phosgene due to the ultraviolet radiation of the arc!

- Ensure that there is sufficient fresh air!
- Keep solvent vapour away from the arc beam field!
- Wear suitable breathing apparatus if appropriate!



Noise exposure!

Noise exceeding 70 dBA can cause permanent hearing damage!

- Wear suitable ear protection!
- Persons located within the working area must wear suitable ear protection!



According to IEC 60974-10, welding machines are divided into two classes of electromagnetic compatibility (the EMC class can be found in the Technical data) > see 8 chapter:



Class A machines are not intended for use in residential areas where the power supply comes from the low-voltage public mains network. When ensuring the electromagnetic compatibility of class A machines, difficulties can arise in these areas due to interference not only in the supply lines but also in the form of radiated interference.



Class B machines fulfil the EMC requirements in industrial as well as residential areas, including residential areas connected to the low-voltage public mains network.

Setting up and operating

When operating arc welding systems, in some cases, electro-magnetic interference can occur although all of the welding machines comply with the emission limits specified in the standard. The user is responsible for any interference caused by welding.

In order to **evaluate** any possible problems with electromagnetic compatibility in the surrounding area, the user must consider the following: (see also EN 60974-10 Appendix A)

- Mains, control, signal and telecommunication lines
- Radios and televisions
- Computers and other control systems
- Safety equipment
- The health of neighbouring persons, especially if they have a pacemaker or wear a hearing aid
- Calibration and measuring equipment
- The immunity to interference of other equipment in the surrounding area
- The time of day at which the welding work must be carried out

Recommendations for reducing interference emission

- Mains connection, e.g. additional mains filter or shielding with a metal tube
- Maintenance of the arc welding system
- Welding leads should be as short as possible and run closely together along the ground
- Potential equalization
- Earthing of the workpiece. In cases where it is not possible to earth the workpiece directly, it should be connected by means of suitable capacitors.
- Shielding from other equipment in the surrounding area or the entire welding system



Electromagnetic fields!

The power source may cause electrical or electromagnetic fields to be produced which could affect the correct functioning of electronic equipment such as IT or CNC devices, telecommunication lines, power cables, signal lines and pacemakers.



- Observe the maintenance instructions > see 6.3 chapter!
- Unwind welding leads completely!
- Shield devices or equipment sensitive to radiation accordingly!
- The correct functioning of pacemakers may be affected (obtain advice from a doctor if necessary).

⚠ CAUTION**Obligations of the operator!**

The respective national directives and laws must be complied with when operating the machine!

- Implementation of national legislation relating to framework directive 89/391/EEC on the introduction of measures to encourage improvements in the safety and health of workers at work and associated individual guidelines.
- In particular, directive 89/655/EEC concerning the minimum safety and health requirements for the use of work equipment by workers at work.
- The regulations applicable to occupational safety and accident prevention in the country concerned.
- Setting up and operating the machine as per IEC 60974.-9.
- Brief the user on safety-conscious work practices on a regular basis.
- Regularly inspect the machine as per IEC 60974.-4.



The manufacturer's warranty becomes void if non-genuine parts are used!

- **Only use system components and options (power sources, welding torches, electrode holders, remote controls, spare parts and replacement parts, etc.) from our range of products!**
- **Only insert and lock accessory components into the relevant connection socket when the machine is switched off.**

Requirements for connection to the public mains network

High-performance machines can influence the mains quality by taking current from the mains network. For some types of machines, connection restrictions or requirements relating to the maximum possible line impedance or the necessary minimum supply capacity at the interface with the public network (Point of Common Coupling, PCC) can therefore apply. In this respect, attention is also drawn to the machines' technical data. In this case, it is the responsibility of the operator, where necessary in consultation with the mains network operator, to ensure that the machine can be connected.

2.4 Transport and installation

⚠ WARNING**Risk of injury due to improper handling of shielding gas cylinders!**

Improper handling and insufficient securing of shielding gas cylinders can cause serious injuries!

- Observe the instructions from the gas manufacturer and any relevant regulations concerning the use of compressed air!
- Do not attach any element to the shielding gas cylinder valve!
- Prevent the shielding gas cylinder from heating up.

CAUTION



Risk of accidents due to supply lines!

During transport, attached supply lines (mains leads, control cables, etc.) can cause risks, e.g. by causing connected machines to tip over and injure persons!

- Disconnect all supply lines before transport!



Risk of tipping!

There is a risk of the machine tipping over and injuring persons or being damaged itself during movement and set up. Tilt resistance is guaranteed up to an angle of 10° (according to IEC 60974-1).

- Set up and transport the machine on level, solid ground.
- Secure add-on parts using suitable equipment.



Risk of accidents due to incorrectly installed leads!

Incorrectly installed leads (mains, control and welding leads or intermediate hose packages) can present a tripping hazard.

- Lay the supply lines flat on the floor (avoid loops).
- Avoid laying the leads on passage ways.



Risk of injury from heated coolant and its connections!

The coolant used and its connection or connection points can heat up significantly during operation (water-cooled version). When opening the coolant circuit, escaping coolant may cause scalding.

- Open the coolant circuit only when the power source or cooling unit is switched off!
- Wear proper protective equipment (protective gloves)!
- Seal open connections of the hose leads with suitable plugs.



The units are designed for operation in an upright position!

Operation in non-permissible positions can cause equipment damage.

- ***Only transport and operate in an upright position!***



Accessory components and the power source itself can be damaged by incorrect connection!

- ***Only insert and lock accessory components into the relevant connection socket when the machine is switched off.***
- ***Comprehensive descriptions can be found in the operating instructions for the relevant accessory components.***
- ***Accessory components are detected automatically after the power source is switched on.***



Protective dust caps protect the connection sockets and therefore the machine against dirt and damage.

- ***The protective dust cap must be fitted if there is no accessory component being operated on that connection.***
- ***The cap must be replaced if faulty or if lost!***

3 Intended use

WARNING



Hazards due to improper usage!

The machine has been constructed to the state of the art and any regulations and standards applicable for use in industry and trade. It may only be used for the welding procedures indicated at the rating plate. Hazards may arise for persons, animals and material objects if the equipment is not used correctly. No liability is accepted for any damages arising from improper usage!

- The equipment must only be used in line with its designated purpose and by trained or expert personnel!
- Do not improperly modify or convert the equipment!

3.1 Applications

Arc welding machine for TIG DC and AC welding with lift arc (touch starting) or HF ignition (contactless) and MMA welding as secondary process. It may be possible to expand the functionality by using accessories (see the documentation in the relevant chapter).

3.2 Use and operation solely with the following machines

The following system components can be combined:

Power source	Tetrix XQ 230 puls DC Tetrix XQ 230 puls AC/DC
Machine control	Comfort 3.0 Expert 3.0
Welding torch cooling unit	Cool XQ 40 Cool XQ 40 MV
Transport vehicle	Trolley 35.3

3.3 Documents which also apply

3.3.1 Warranty

For more information refer to the "Warranty registration" brochure supplied and our information regarding warranty, maintenance and testing at www.ewm-group.com!

3.3.2 Declaration of Conformity



This product corresponds in its design and construction to the EU directives listed in the declaration. The product comes with a relevant declaration of conformity in the original.

The manufacturer recommends carrying out the safety inspection according to national and international standards and guidelines every 12 months.

3.3.3 Welding in environments with increased electrical hazards



Power sources with this marking can be used for welding in an environment with increased electrical hazard (e.g. boilers). For this purpose, appropriate national or international regulations must be followed. The power source must not be placed in the danger zone!

3.3.4 Service documents (spare parts and circuit diagrams)



WARNING

Do not carry out any unauthorised repairs or modifications!

To avoid injury and equipment damage, the unit must only be repaired or modified by specialist, skilled persons!

The warranty becomes null and void in the event of unauthorised interference.

- Appoint only skilled persons for repair work (trained service personnel)!

Original copies of the circuit diagrams are enclosed with the unit.

Spare parts can be obtained from the relevant authorised dealer.

3.3.5 Calibration/Validation

An original certificate is enclosed with the product. The manufacturer recommends calibration / validation at intervals of 12 months.

3.3.6 Part of the complete documentation

This document is part of the complete documentation and valid only in combination with all other parts of these instructions! Read and observe the operating instructions for all system components, especially the safety instructions!

The illustration shows a general example of a welding system.

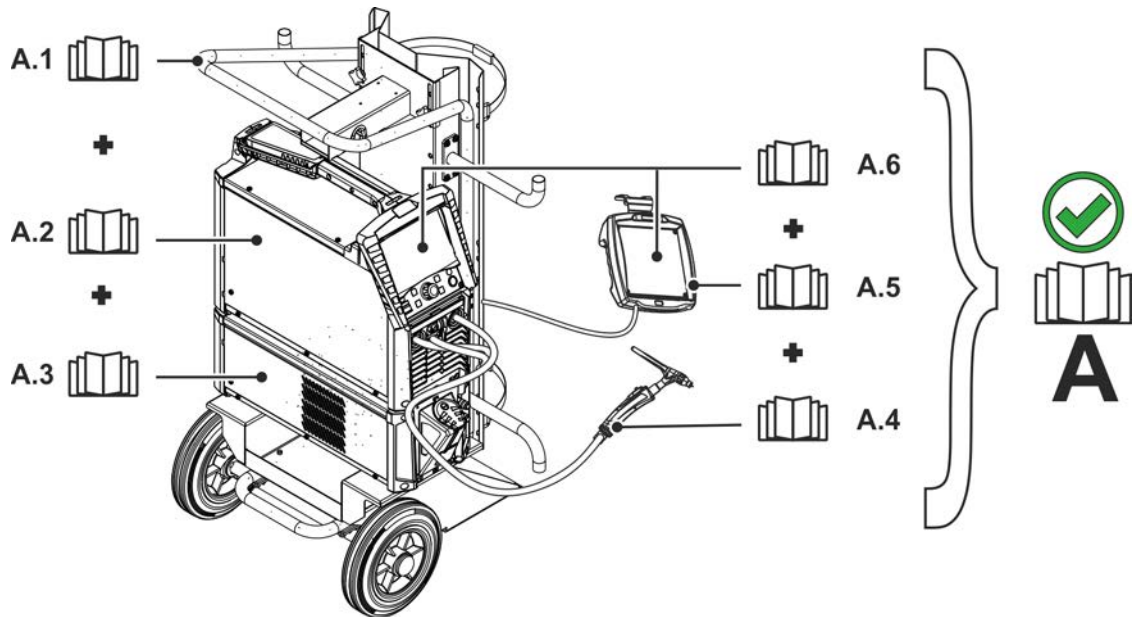


Figure 3-1

Item	Documentation
A.1	Transport vehicle
A.2	Power source
A.3	Cooling unit
A.4	Welding torch
A.5	Remote control
A.6	Control
A	Complete documentation

4 Machine description – quick overview

4.1 Front view / rear view

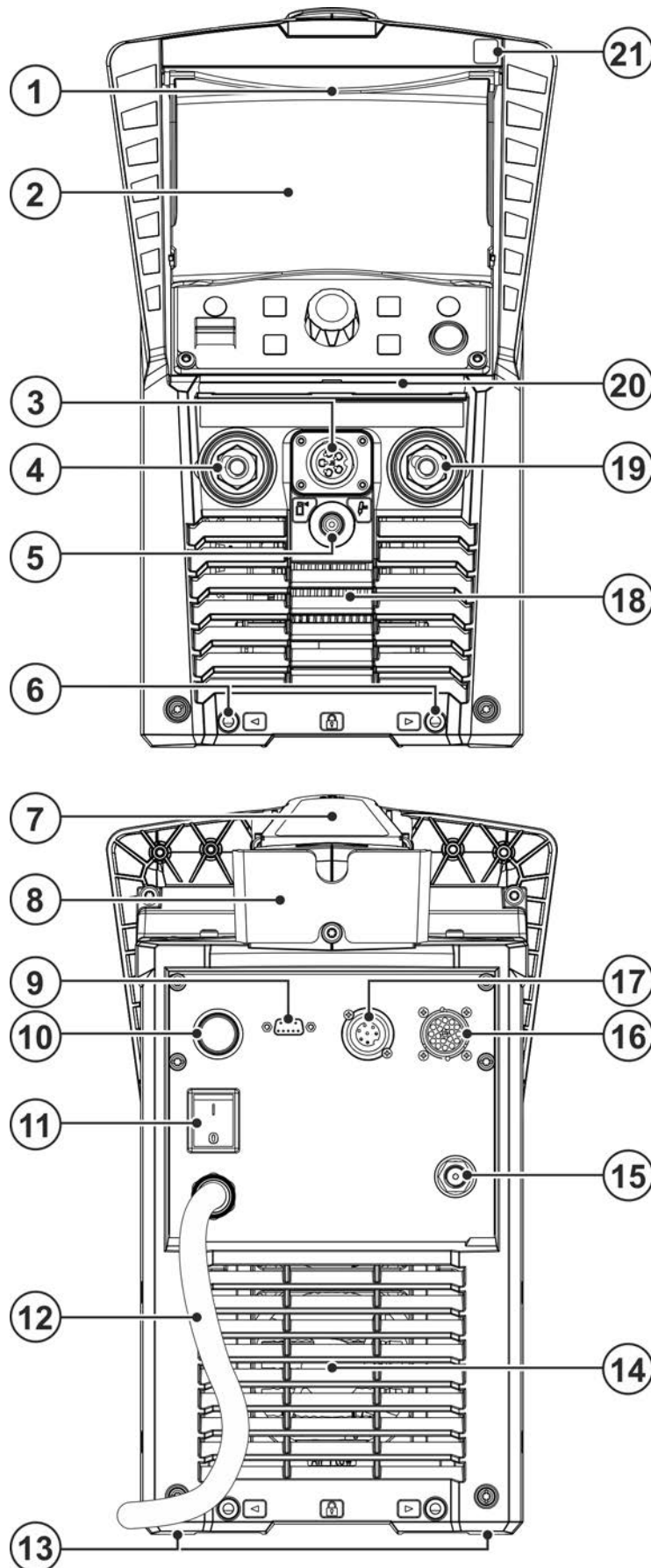











Figure 4-1

Item	Symbol	Description
1		Protective cap > see 5.1.11 chapter
2		Machine control (see the relevant control operating instructions)
3		Connection socket (welding torch control cable) > see 5.2.1.1 chapter
4		Connection socket, “+” welding current How to connect the accessories depends on the welding procedure. Please observe the connection description for the corresponding welding procedure > see 5 chapter.
5		Connection thread - G¼" Shielding gas connection (outlet)
6		Holder for the module connector Screw connection for module fastening of system components
7		Transport handle with additional integrated functions <ul style="list-style-type: none"> • Wear part compartment > see 5.1.12 chapter • Transport belt > see 5.1.4 chapter
8		Cable holder - Option > see 9.4 chapter
9		Connection socket (9-pole) - D-Sub PC interface
10		Connection socket - RJ45 - Option Network connection > see 5.6 chapter
11		Main Switch Switching the machine on or off.
12		Mains connection cable > see 5.1.9 chapter
13		Machine feet
14		Cooling air inlet
15		Connection thread - G¼" Shielding gas connection (inlet)
16		Connection socket, 19-pole Remote control connection
17		7-pole connection socket (digital) For connecting digital accessory components
18		Cooling air outlet
19		Connection socket, “-” welding current How to connect the accessories depends on the welding procedure. Please observe the connection description for the corresponding welding procedure > see 5 chapter.
20		LED status bar - display of operating status The operating status is indicated by a light guide > see 5.1.10 chapter.
21		QR code Link to manufacturer’s website for more product information

5 Design and function

⚠ WARNING



Risk of injury from electrical voltage!

Contact with live parts, e.g. power connections, can be fatal!

- Observe the safety information on the first pages of the operating instructions!
- Commissioning must be carried out by persons who are specifically trained in handling power sources!
- Connect connection or power cables while the machine is switched off!

Read and observe the documentation to all system and accessory components!

5.1 Transport and installation

⚠ WARNING



Risk of accident due to improper transport of machines that must not be lifted!

Do not lift or suspend the machine! The machine can drop and cause injuries! The handles, straps or brackets are suitable for transport by hand only!

- The machine must not be suspended or lifted using a crane.

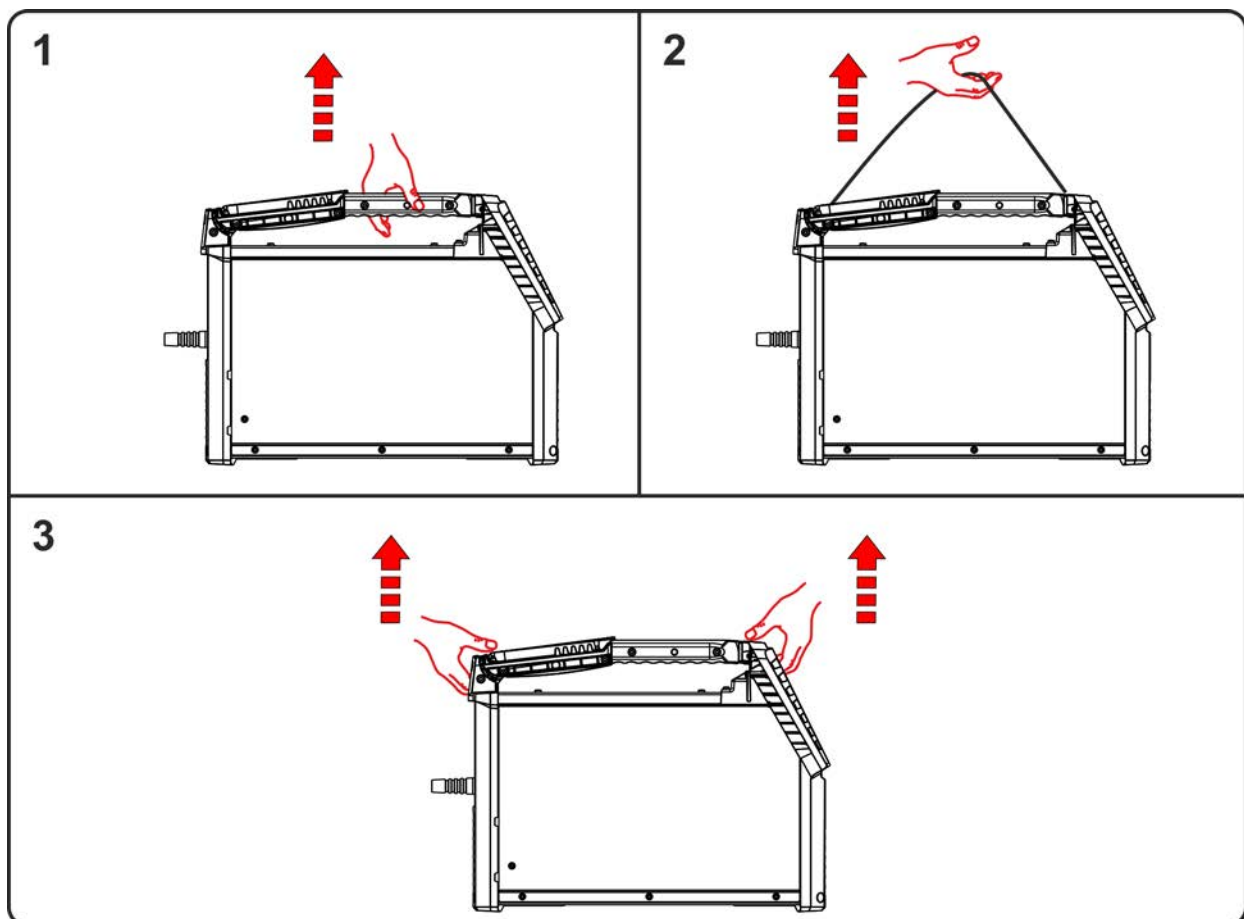


Figure 5-1

The machine can either be carried by the transport handle in the middle (1), the transport belt (2) or the handle at each end (3).

5.1.1 Ambient conditions



The machine must not be operated in the open air and must only be set up and operated on a suitable, stable and level base!

- **The operator must ensure that the ground is non-slip and level, and provide sufficient lighting for the place of work.**
- **Safe operation of the machine must be guaranteed at all times.**



Equipment damage due to contamination!

Unusually high amounts of dust, acids, corrosive gases or substances can damage the machine (observe maintenance intervals > see 6.3 chapter).

- **Avoid large amounts of smoke, steam, oily fumes, grinding dust and corrosive ambient air!**

5.1.1.1 In operation

Temperature range of the ambient air:

- -25 °C to +40 °C (-13 °F to 104 °F) ^[1]

Relative humidity:

- up to 50 % at 40 °C (104 °F)
- up to 90 % at 20 °C (68 °F)

5.1.1.2 Transport and storage

Storage in a closed room, temperature range of the ambient air:

- -30 °C to +70 °C (-22 °F to 158 °F) ^[1]

Relative humidity

- up to 90 % at 20 °C (68 °F)

^[1] Ambient temperature dependent on coolant! Observe the coolant temperature range of the torch cooling

5.1.2 Machine cooling



Insufficient ventilation results in a reduction in performance and equipment damage.

- **Observe the ambient conditions!**
- **Keep the cooling air inlet and outlet clear!**
- **Observe the minimum distance of 0.5 m from obstacles!**

5.1.3 Workpiece lead, general

CAUTION



Risk of burning due to incorrect welding current connection!

If the welding current plugs (machine connections) are not locked or if the workpiece connection is contaminated (paint, corrosion), these connections and leads can heat up and cause burns when touched!

- Check welding current connections on a daily basis and lock by turning to the right when necessary.
- Clean workpiece connection thoroughly and secure properly. Do not use structural parts of the workpiece as welding current return lead!

5.1.4 Transport belt

5.1.4.1 Adjusting the length of the carrying strap

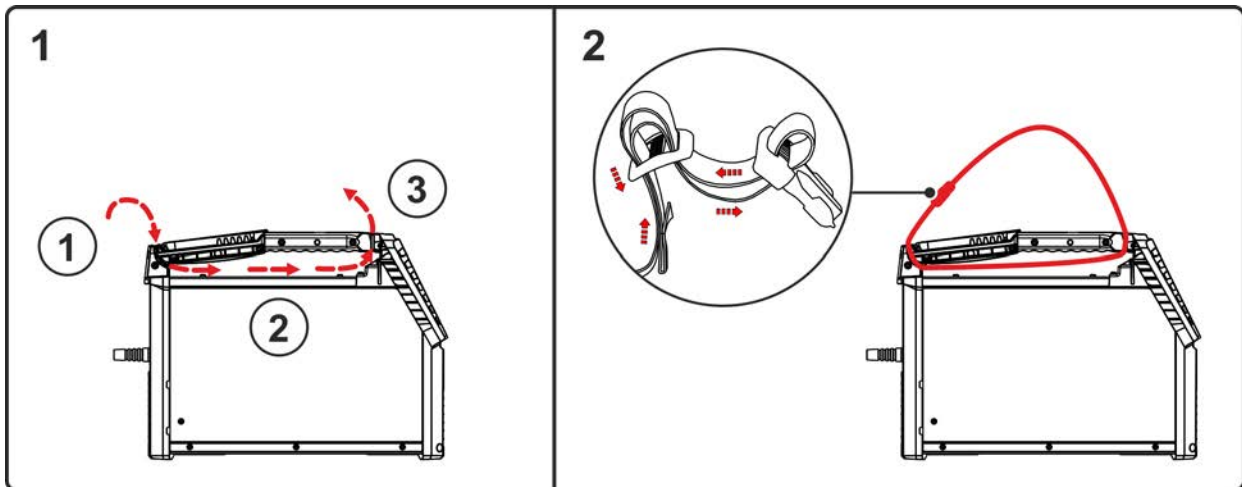


Figure 5-2

5.1.5 Dirt filter

These accessory components can be retrofitted as an option > see 9.4 chapter.

When using a dirt filter, the cooling air throughput is reduced and the duty cycle of the machine is reduced as a result. The duty cycle decreases with the increasing contamination of the filter. The dirt filter must be removed at regular intervals and cleaned by blowing out with compressed air (depending on the level of soiling) > see 6.3.2 chapter.

5.1.6 Welding torch cooling system

WARNING



Risk of accidents due to improperly connected modules!

Improperly installed modules may come loose and cause severe injuries.

- Remove impurities from the connection points before installation!
- All plug and screw connections must be carried out properly and completely!

The modular design allows the power source to be retrofitted with a cooling unit for liquid torch cooling. For information about connection and installation, see the documentation for the cooling unit.

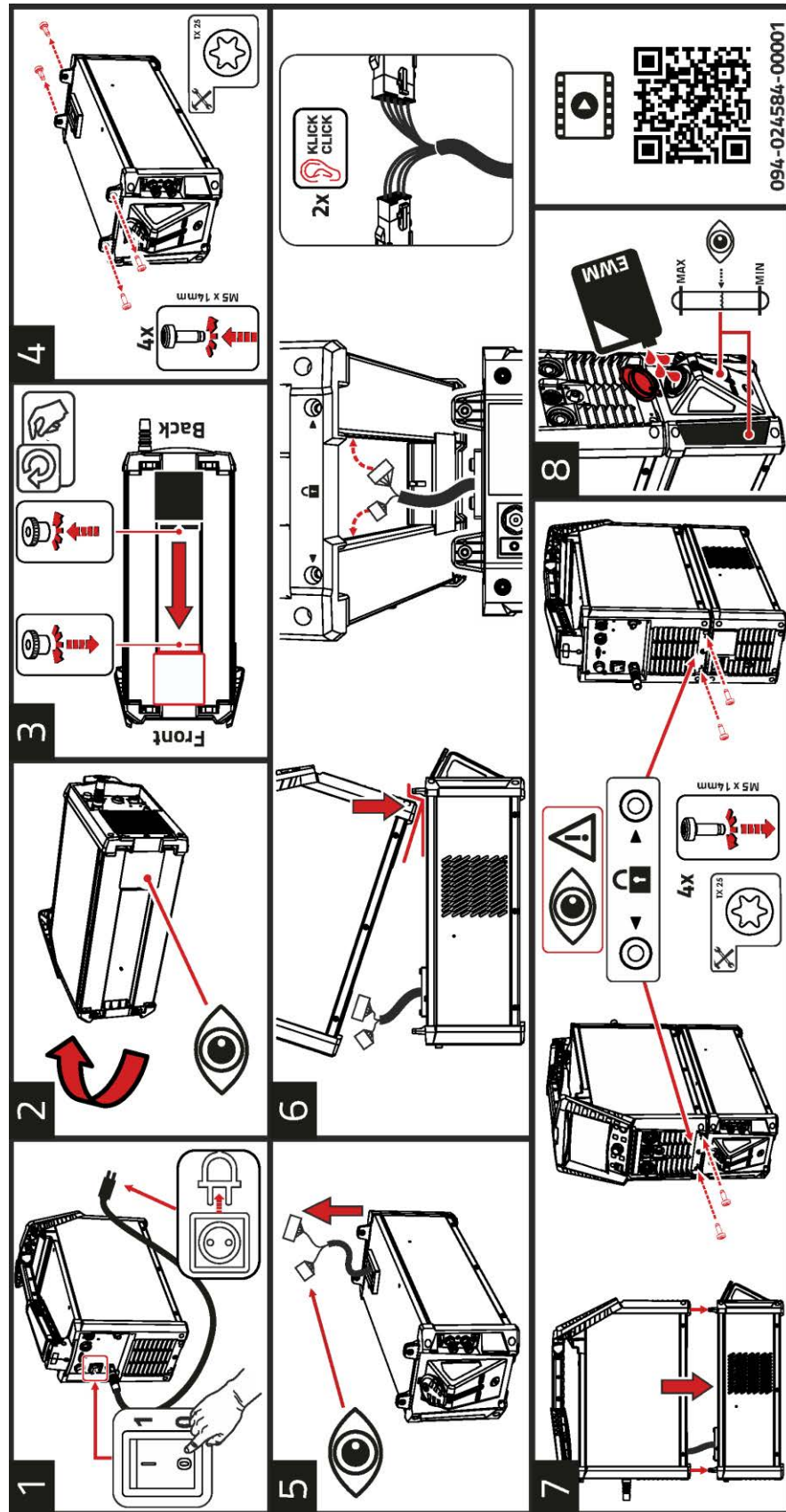


Figure 5-3

- 1 Switch off the power source and disconnect the mains plug.
- 2 Place the power source to the side.

- 3 Loosen the screws on the lower cover. Move the cover to the park position towards the front. Screw the cover back on.
- 4 Undo all four Torx screws from the module connectors of the cooling unit.
- 5 Route the supply lines through the cable duct of the cooling unit.
- 6 Place the power source with the front feet ahead of the front module connector of the cooling unit. Lift the power source at the rear and plug both connectors of the cooling unit's supply lines into the corresponding sockets of the power source (the connectors must engage).
- 7 Place the power source precisely with the connector receptacles in the module connectors provided on the cooling unit. Secure the cooling unit and power source with all four Torx screws M5 x 14 mm.
- 8 Fill in the coolant > see 5.1.6 chapter.

For further information on installing the machine (video), scan the QR code on the information sticker if necessary.

5.1.7 Notes on the installation of welding current leads

- Incorrectly installed welding current leads can cause faults in the arc (flickering).
- Lay the workpiece lead and hose package of power sources without HF igniter (MIG/MAG) for as long and as close as possible in parallel.
- Lay the workpiece lead and hose package of power sources with HF igniter (TIG) for as long as possible in parallel with a distance of 20 cm to avoid HF sparkover.
- Always keep a distance of at least 20 cm to leads of other power sources to avoid interferences
- Always keep leads as short as possible! For optimum welding results max. 30 m (welding lead + intermediate hose package + torch lead).

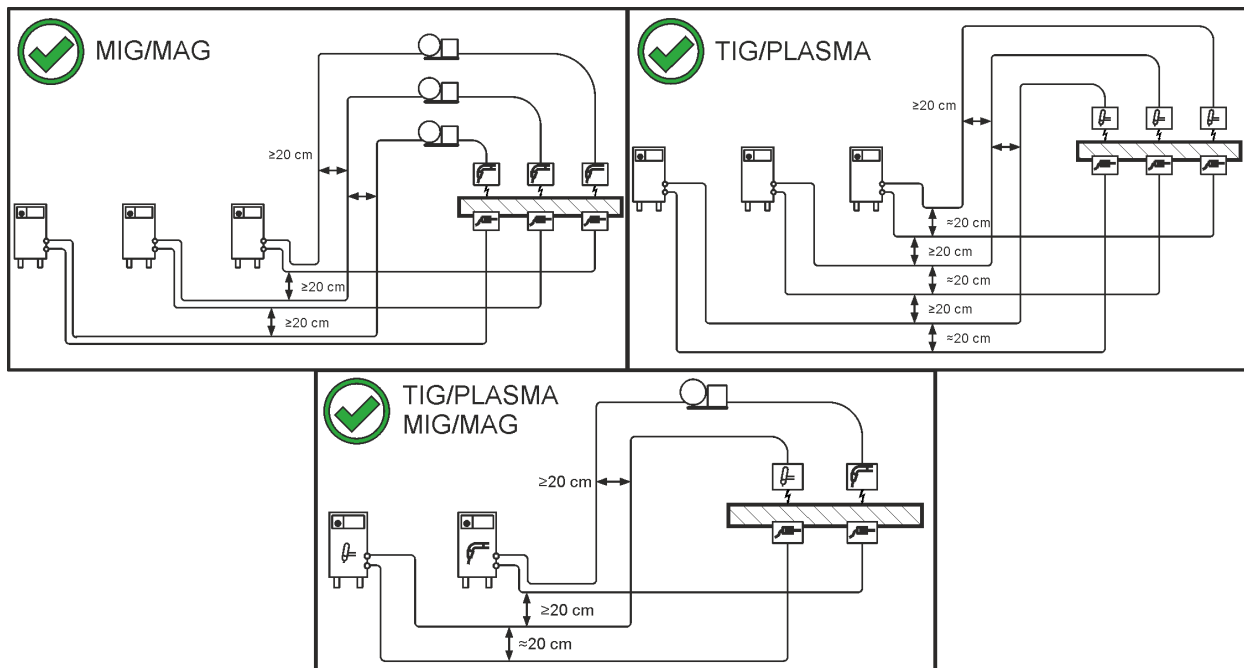


Figure 5-4

- Use an individual welding lead to the workpiece for each welding machine!

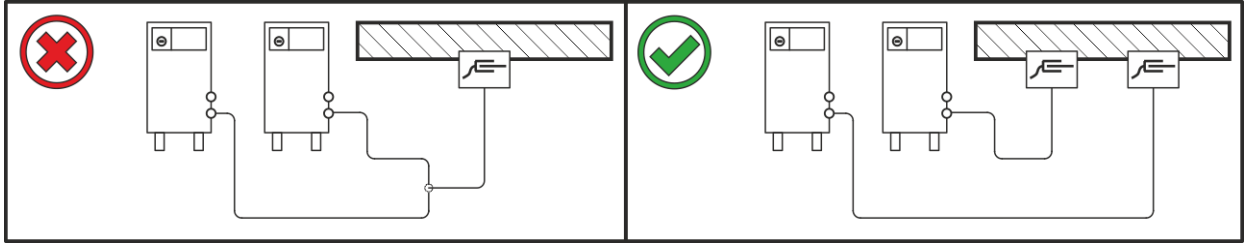


Figure 5-5

- Fully unroll welding current leads, torch hose packages and intermediate hose packages. Avoid loops!
- Always keep leads as short as possible!

Lay any excess cable lengths in meanders.

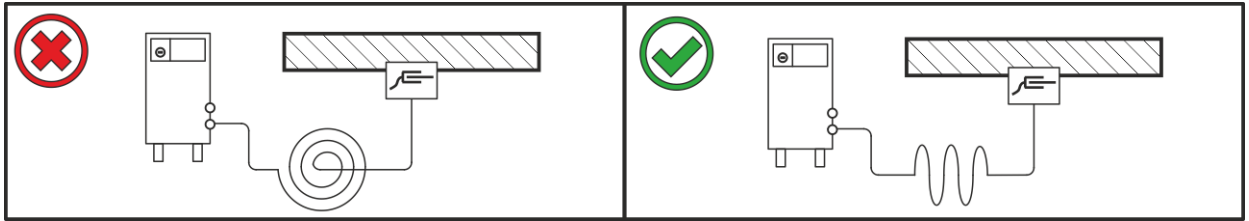


Figure 5-6

5.1.8 Stray welding currents

⚠ WARNING



Risk of injury due to stray welding currents!

Stray welding currents can destroy protective earth conductors, damage machines and electronic devices and cause overheating of components, leading to fire.

- Check that all welding current connections are firmly secured and electrical connections are in perfect condition.
- Set up, attach or suspend all conductive power source components such as casing, transport vehicles and crane frames so they are insulated.
- Do not place any other electronic devices such as drills or angle grinders on the power source, transport vehicle or crane frames unless they are insulated.
- Always put welding torches and electrode holders on an insulated surface when they are not in use.

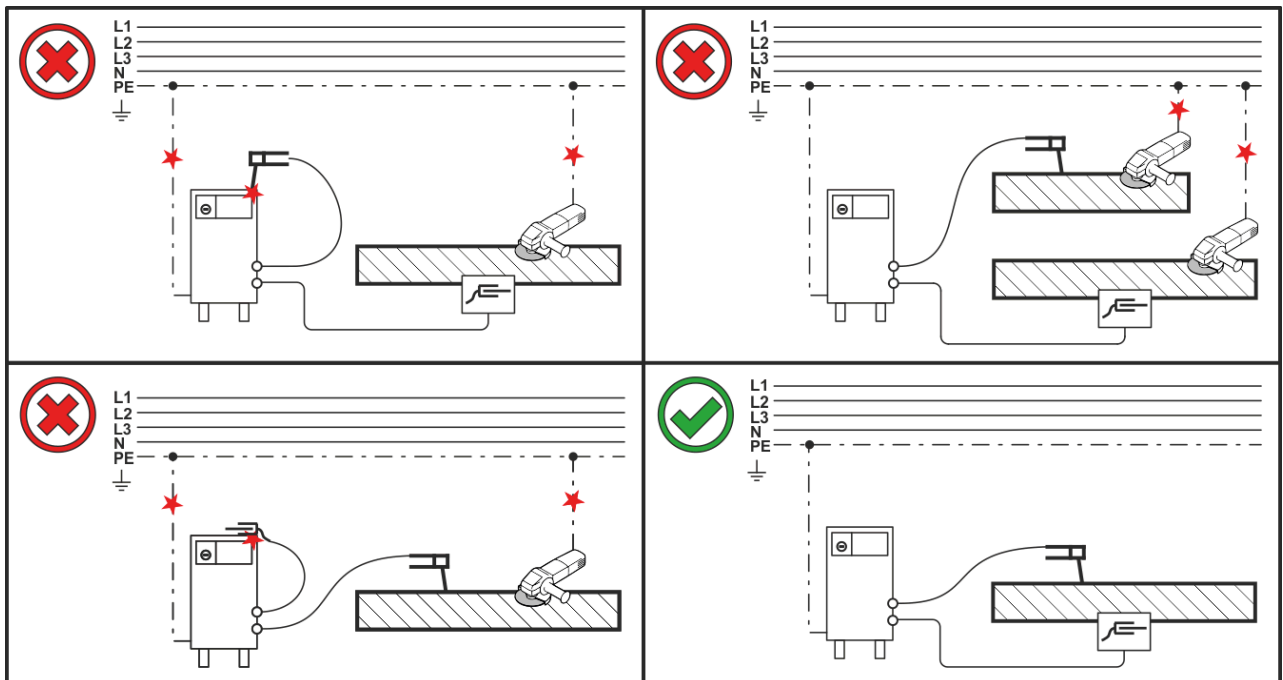


Figure 5-7

5.1.9 Mains connection

DANGER



Hazards caused by improper mains connection!

An improper mains connection can cause injuries or damage property!

- The connection (mains plug or cable), the repair or voltage adjustment of the device must be carried out by a qualified electrician in accordance with the respective local laws or national regulations!
- The mains voltage indicated on the rating plate must match the supply voltage.
- Only operate machine using a socket that has correctly fitted protective earth.
- Mains plug, socket and lead must be checked by a qualified electrician on a regular basis!
- When operating the generator, always ensure it is earthed as stipulated in the operating instructions. The network created must be suitable for operating machines according to protection class I.

5.1.9.1 Mains configuration



The machine may only be connected to a one-phase system with two conductors and an earthed neutral conductor.

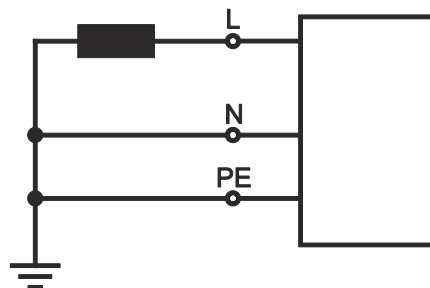


Figure 5-8

Legend

Item	Designation	Colour code
L	Outer conductor	brown
N	Neutral conductor	blue
PE	Protective conductor	green-yellow

- Insert mains plug of the switched-off machine into the appropriate socket.

5.1.10 LED status bar - display of operating status

A light guide on the front of the housing (LED status bar) shows the user the current operating status of the device.

Colour of the LED status bar	Operating status
white (change: light/dark)	Booting (switching on up to welding readiness)
blue	Ready for welding
blue (change: light/dark)	Power-saving mode Standby
green	Welding
yellow	Warning > see 7.2 chapter
red	Error > see 7.3 chapter

5.1.11 Protective flap, welding machine control

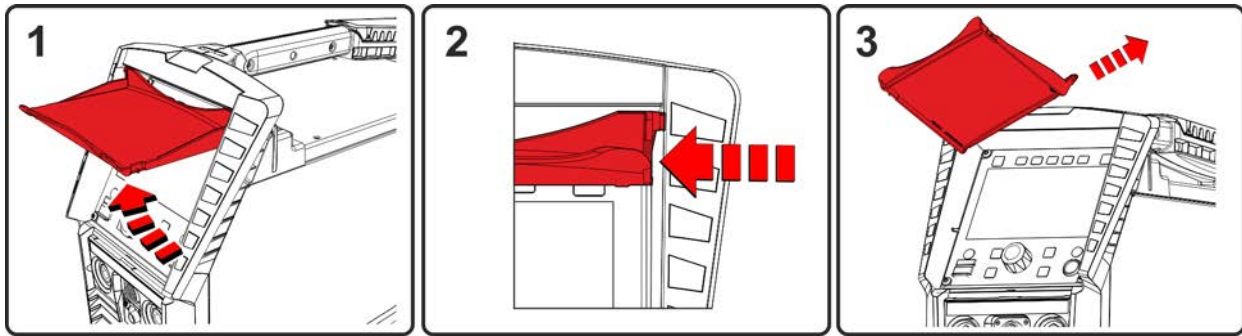


Figure 5-9

- Open the protective cap.
- Apply slight pressure on the left connecting bridge (figure) until the flap's fastening pin can be removed to the left, from top.

5.1.12 Wear part compartment

The transport handles in this machine series have a wear part compartment for stowing typical wear parts, such as gas nozzles and electrodes. The compartment closes with a transparent plastic flap.

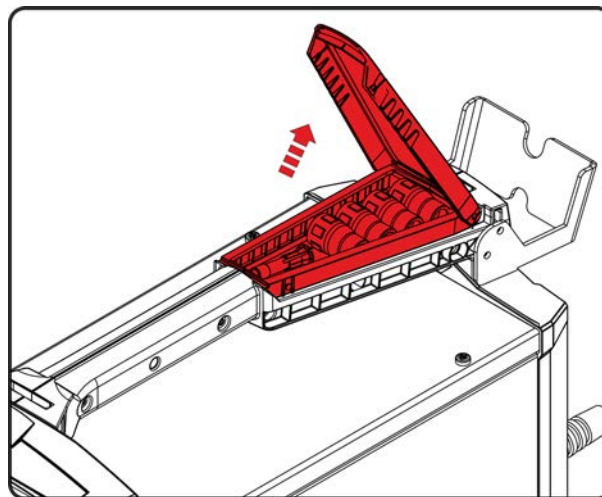


Figure 5-10

5.2 TIG welding

5.2.1 Welding torch and workpiece line connection

Prepare welding torch according to the welding task in hand (see operating instructions for the torch).

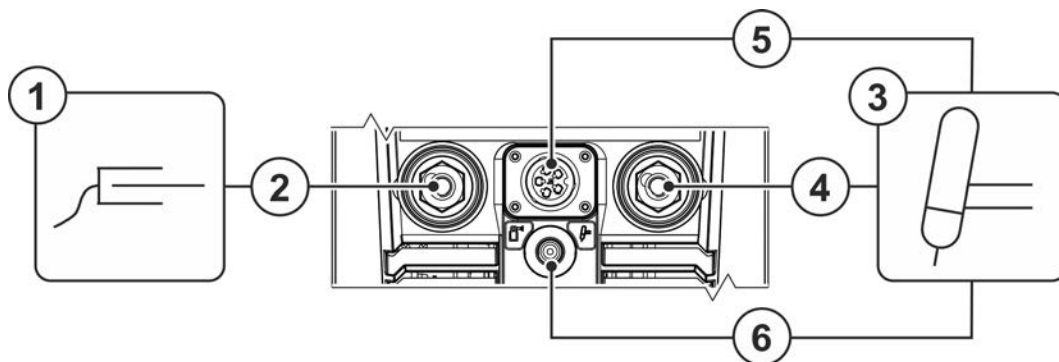


Figure 5-11

Item	Symbol	Description
1		Workpiece

Item	Symbol	Description
2		Connection socket for "+" welding current Workpiece lead connection
3		Welding torch
4		"-" Welding current connection socket TIG welding torch welding current lead connection
5		Welding torch control cable > see 5.2.1.1 chapter
6		Shielding gas hose

- Insert the cable plug on the work piece lead into the "+" welding current connection socket and lock by turning to the right.
- Insert the welding current plug on the welding torch into the welding current connection socket and lock by turning to the right.
- Remove yellow protective cap on G $\frac{1}{4}$ connecting nipple.
- Screw welding torch shielding gas connection tightly onto the G $\frac{1}{4}$ " connection nipple.
- Plug the welding torch control cable plug into the welding torch control cable connection socket and secure.
- With water cooled welding torches, the coolant lines are connected on the cooling module or reverse cooling unit.

5.2.1.1 Control lead connection

All standard 5- and 8-pin TIG welding torches can be connected to this machine and operated (except for 8-pin potentiometer torches). 5-pin EWM function torches with X-TECHNOLOGIE are also supposed.

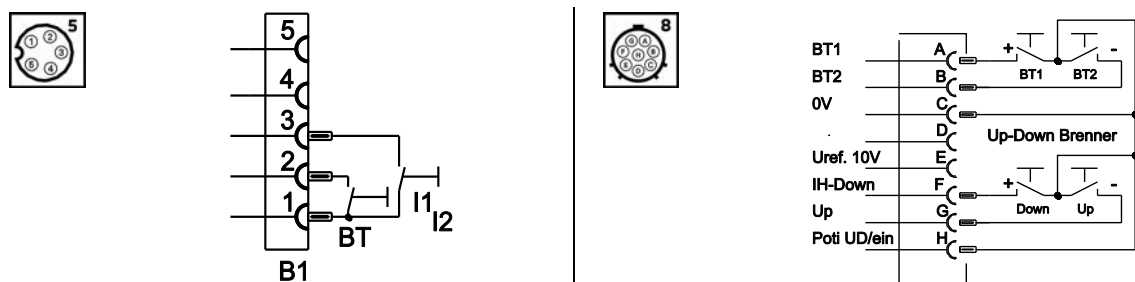


Figure 5-12

5.2.2 Shielding gas supply (shielding gas cylinder for welding machine)

WARNING



Risk of injury due to improper handling of shielding gas cylinders!
Improper handling and insufficient securing of shielding gas cylinders can cause serious injuries!

- Observe the instructions from the gas manufacturer and any relevant regulations concerning the use of compressed air!
- Do not attach any element to the shielding gas cylinder valve!
- Prevent the shielding gas cylinder from heating up.



An unhindered shielding gas supply from the shielding gas cylinder to the welding torch is a fundamental requirement for optimum welding results. In addition, a blocked shielding gas supply may result in the welding torch being destroyed.

- **Always re-fit the yellow protective cap when not using the shielding gas connection.**
- **All shielding gas connections must be gas tight.**

5.2.2.1 Pressure regulator connection

- Place shielding gas cylinder in the corresponding cylinder bracket and use securing equipment (belt/chain) to secure it against falling over.

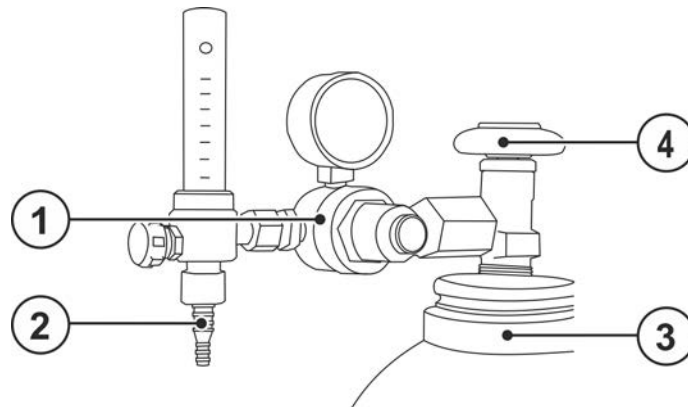


Figure 5-13

Item	Symbol	Description
1		Pressure regulator
2		Output side of the pressure regulator
3		Shielding gas cylinder
4		Cylinder valve

- Before connecting the pressure regulator to the gas cylinder, open the cylinder valve briefly to blow out any dirt.
- Tighten the pressure regulator screw connection on the gas bottle valve to be gas-tight.
- Screw the gas hose connection to the outlet side of the pressure regulator gas-tight.

5.2.2.2 Shielding gas hose connection

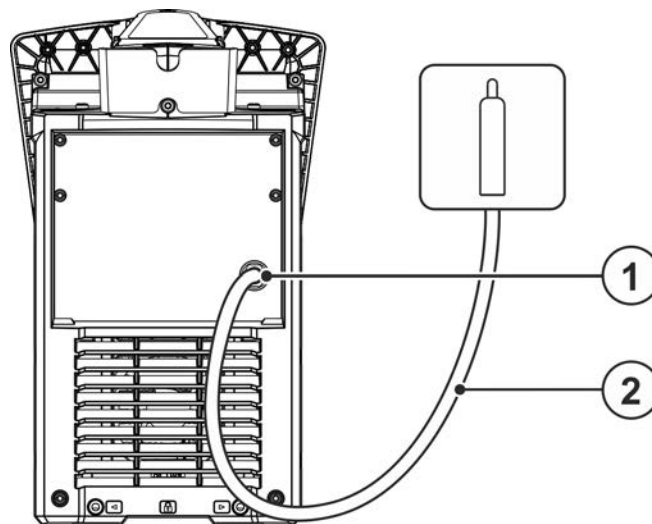


Figure 5-14

Item	Symbol	Description
1		Connection thread - G 1/4" Shielding gas connection (inlet)
2		Shielding gas hose

- Screw the gas hose connection to the shielding gas connection (inlet) on the machine gas-tight.

5.3 MMA welding

5.3.1 Connecting the electrode holder and workpiece lead

⚠ CAUTION



Risk of crushing and burns!

When changing stick electrodes there is a risk of crushing and burns!

- Wear appropriate and dry protective gloves.
- Use an insulated pair of tongs to remove the used stick electrode or to move welded workpieces.

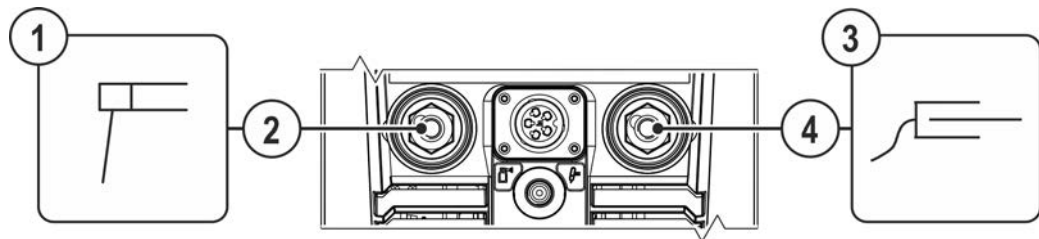


Figure 5-15

Item	Symbol	Description
1		Electrode holder
2		Welding current lead
3		Workpiece
4		Workpiece lead

- Insert the electrode holder plug and workpiece lead into the welding current socket depending on application and lock in place by turning to the right. The corresponding polarity will be based on the information of the electrode manufacturer on the electrode packaging.

5.4 Remote control

The remote controls are operated on the 19-pole remote control connection socket (analogue).

5.4.1 RT1 19POL



Functions

- Infinitely adjustable welding current (0% to 100%) depending on the preselected main current on the welding machine.

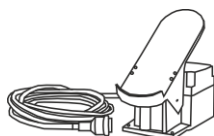
5.4.2 RTG1 19POL



Functions

- Infinite setting of the welding current (0% to 100%) depending on the main current preselected at the welding machine

5.4.3 RTF1 19POL



Functions

- Infinitely adjustable welding current (0% to 100%) depending on the preselected main current on the welding machine.
- Start/stop welding operation (TIG)

ActivArc welding is not possible in combination with the foot-operated remote control.

5.5 Interfaces for automation



Damage to the machine due to improper connection!

Unsuitable control leads or incorrect connection of input and output signals can cause damage to the machine.

- **Only use shielded control leads!**
- **If the machine is to be operated with control voltages connection via suitable isolation amplifiers is required!**
- **To control the main or secondary current via control voltages, the relevant inputs must be enabled (see specification for activation of control voltage).**

5.5.1 Remote control connection socket, 19-pole

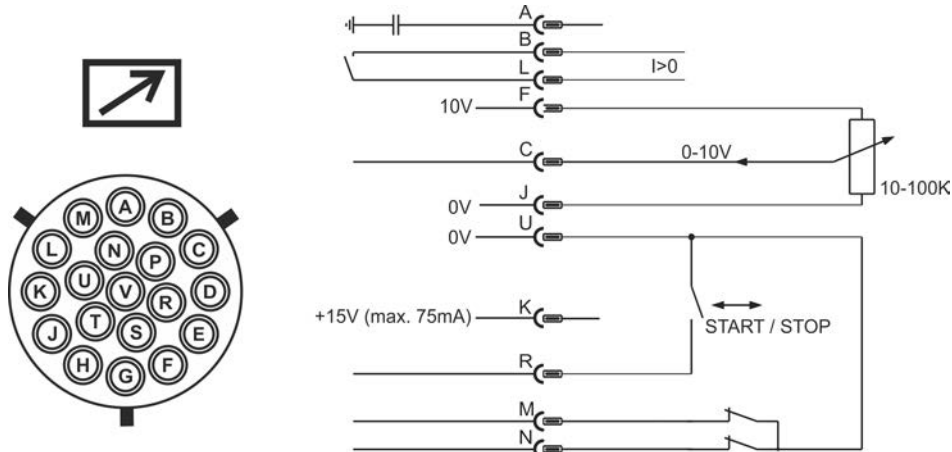


Figure 5-16

Pin	Signal form	Name
A	Output	Connection for cable screen (PE)
B/L	Output	Current flowing signal $I > 0$, potential-free (max. $\pm 15\text{ V} / 100\text{ mA}$)
F	Output	Reference voltage for potentiometer 10 V (max. 10 mA)
C	Input	Control voltage specification for main current 0-10 V ($0\text{V} = I_{\min} / 10\text{ V} = I_{\max}$)
J/U	Output	Reference potential 0 V
K	Output	Power supply +15 V, max. 75 mA
R	Input	Welding current start/stop
M/N	Input	Control voltage specification activation To activate the external control voltage specification for the main and secondary current, the signals M and N must be set to reference potential 0 V.

5.6 Network connection

This accessory component is only available as a “factory-fit option”.

The network connection allows the integration of the product into an existing network and exchanging data using the quality-management software Xnet. Some features of the software:

- Real-time display of the welding parameters
- Recording / documentation
- Monitoring of welding parameters
- Maintenance
- Calculations
- WPS management
- Welder management
- xButton management
- Component management

The functionality of the software is in constant development (see the documentation for Xnet).

The welding machines are delivered with a fixed, factory-set IP address printed on a sticker attached to the control unit or, for machines, on a sticker below the rating plate.

The gateway and the server / computer must be in the same network or IP address range to allow the configuration of the gateway.

6 Maintenance, care and disposal

6.1 General

WARNING



Incorrect maintenance, testing and repair!

Maintenance, testing and repair of the machine may only be carried out by skilled and qualified personnel. A qualified person is one who, because of his or her training, knowledge and experience, is able to recognise the dangers that can occur while testing welding power sources as well as possible subsequent damage, and who is able to implement the required safety procedures.

Observe the maintenance instructions > see 6.3 chapter.

- In the event that the provisions of one of the below-stated tests are not met, the machine must not be operated again until it has been repaired and a new test has been carried out!











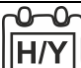
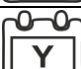
As a rule, contact your specialised dealer, i.e. the supplier of the machine, with respect to all servicing matters. Any return deliveries in the case of warranty claims can be made via your specialised dealer only.

Only use original spare parts to replace any part. When ordering a spare part, always specify the type, serial number and article number of the machine, and the type designation and article number of the spare part.

Under the specified ambient conditions and normal working conditions this machine is essentially maintenance-free and requires just a minimum of care.

Contamination of the machine may impair service life and duty cycle. The cleaning intervals depend on the ambient conditions and the resulting contamination of the machine. The minimum interval is every six months.

6.2 Explanation of icons

Person	
	Welder / operator
	Service staff / expert, qualified person
Test	
	Visual inspection
	Functional check
Period, interval	
	One-shift operation
	Multi-shift operation
	every 8 hours
	Daily
	Weekly
	Monthly
	Every 6 months
	Annually

6.3 Maintenance schedule

Inspector	Type of inspection	8h	24h	Maintenance step	Repairer
				<p>! Only personnel designated as inspectors or repairers due to their training are allowed to carry out the relevant work step! Inapplicable checkpoints are omitted.</p>	
				<ul style="list-style-type: none"> Check and clean the welding torch. Deposits in the welding torch may cause short circuits, impair the welding result and lead to welding torch damage! Connections of the welding current leads (check for tight and locked seating). Is shielding gas cylinder with gas cylinder securing elements (chain/belt) secured? Strain relief: Are hose packages secured with strain relief? 	
				<ul style="list-style-type: none"> Checking all supply lines and their connections (pipes, hoses, hose packages) for damage or leaks. Checking the welding system for damage to the housing. Transport elements (strap, lifting eyes, handle, wheels, parking brake) corresponding safety elements (if necessary fuse caps) are present and flawless? 	
				<ul style="list-style-type: none"> Cleaning connections of coolant pipes (quick connect coupling, connections) from impurities and install protective caps when not in use. Gas test that the solenoid valve opens and closes properly. Checking operating, signalling and indicator lights, protective devices and actuators. 	
				<ul style="list-style-type: none"> Cleaning dirt filter (if applicable) > see 6.3.2 chapter 	
				<ul style="list-style-type: none"> Clean external surfaces with a damp cloth (do not use aggressive cleaning agents). 	
				<ul style="list-style-type: none"> Cleaning the power source (inverter) > see 6.3.3 chapter 	
				<ul style="list-style-type: none"> Cleaning heat exchanger (torch cooling) > see 6.3.4 chapter 	
				<ul style="list-style-type: none"> Check for sufficient frost protection Coolant change (torch cooling) > see 6.3.1 chapter 	
				<ul style="list-style-type: none"> Periodic inspection and testing > see 6.3.5 chapter 	

6.3.1 Coolant error

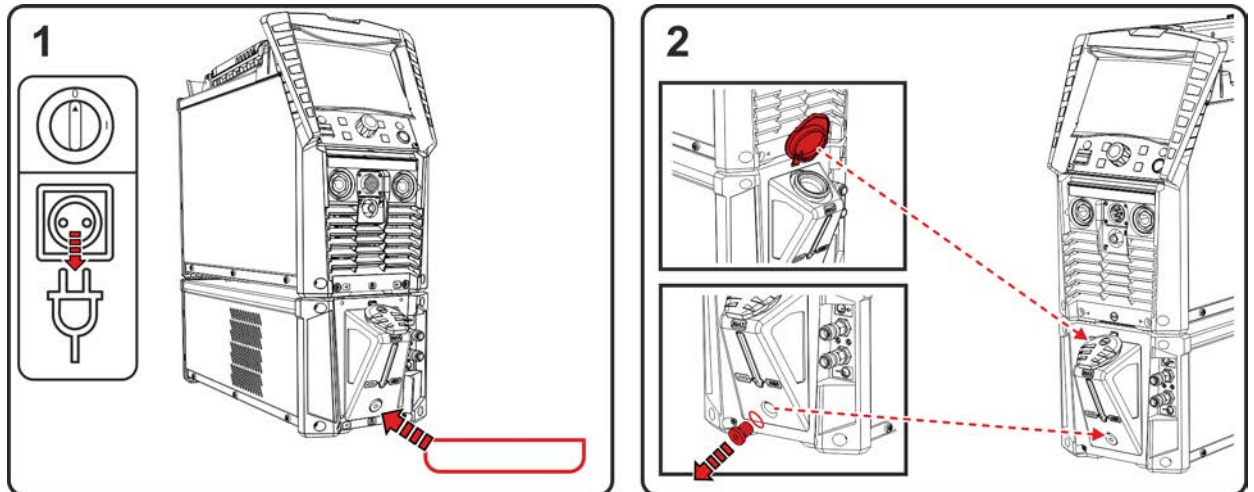


Figure 6-1

- Switch off the machine and disconnect the mains plug. Position a suitable collecting container under the drain plug of the coolant tank.
- Unscrew the drain plug of the coolant tank (remove the tank cap to ventilate).

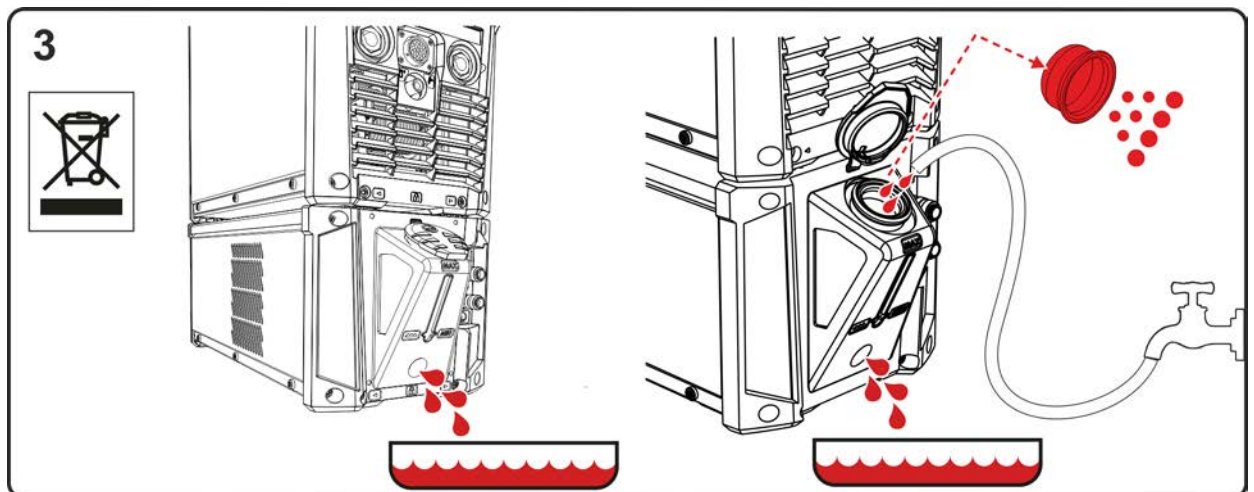


Figure 6-2

- Wait until the coolant has run out of the tank into the collection container.
- Remove the filter screen from the filler neck and clean.
- Then rinse the dirt out of the tank with water.

Follow official regulations on disposal!

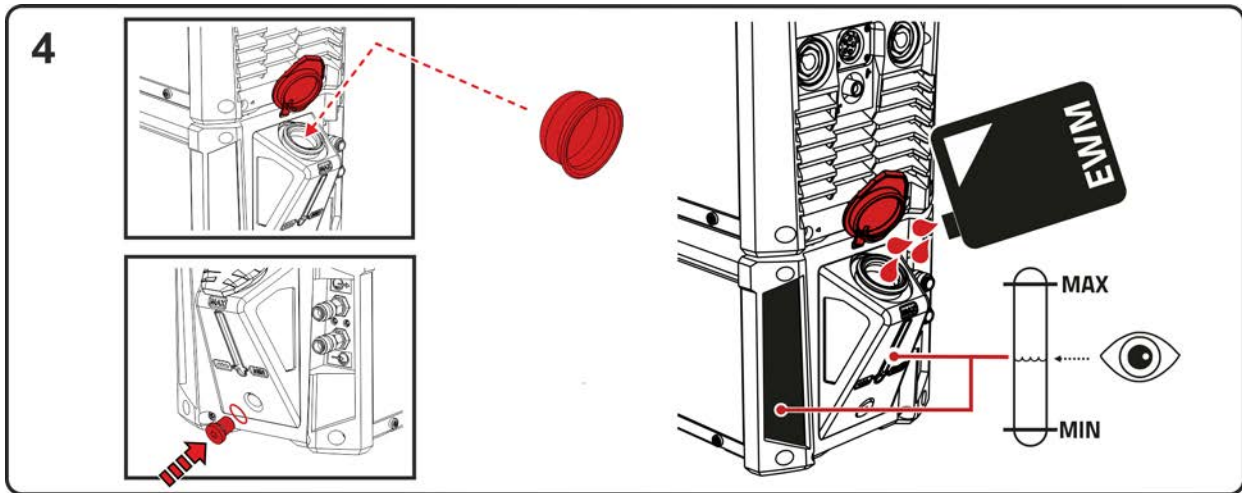


Figure 6-3

- Insert the cleaned filter screen into the filler neck and screw the drain plug with seal back into the tank.
- Fill the tank with original EWM coolant up to the maximum level. After filling, refit the tank cap and vent the coolant circuit > see 7.4 chapter.

6.3.2 Dirt filter

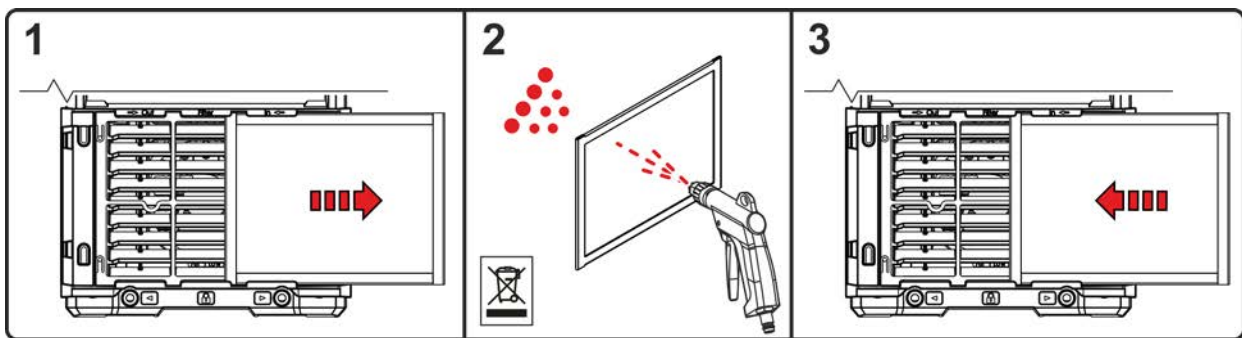


Figure 6-4

- Remove the dirt filter and blow out with compressed air free of oil and water.
- After cleaning, reassemble in reverse order.

Follow the official regulations for the disposal of dirt residues!

6.3.3 Power source (inverter)

⚠ WARNING**Risk of injury due to insufficient training!****An appropriate training is necessary for the following maintenance steps to avoid injuries.**

- This maintenance step may only be carried out by trained and authorized specialist staff.
- Observe warnings and maintenance instructions at the beginning of this chapter!

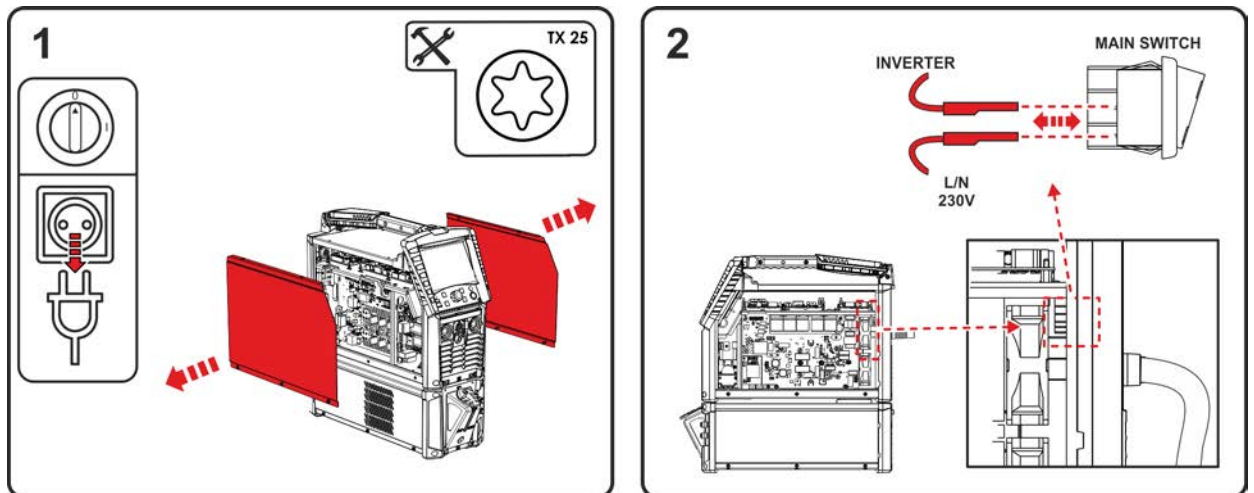


Figure 6-5

- Switch off the machine and disconnect the mains plug. Remove the screws of the side panels. Remove side panels (fold out sideways at the bottom and pull out downwards).
- Disconnect all four mains leads (6.3 mm flat pin terminals) from the main switch.

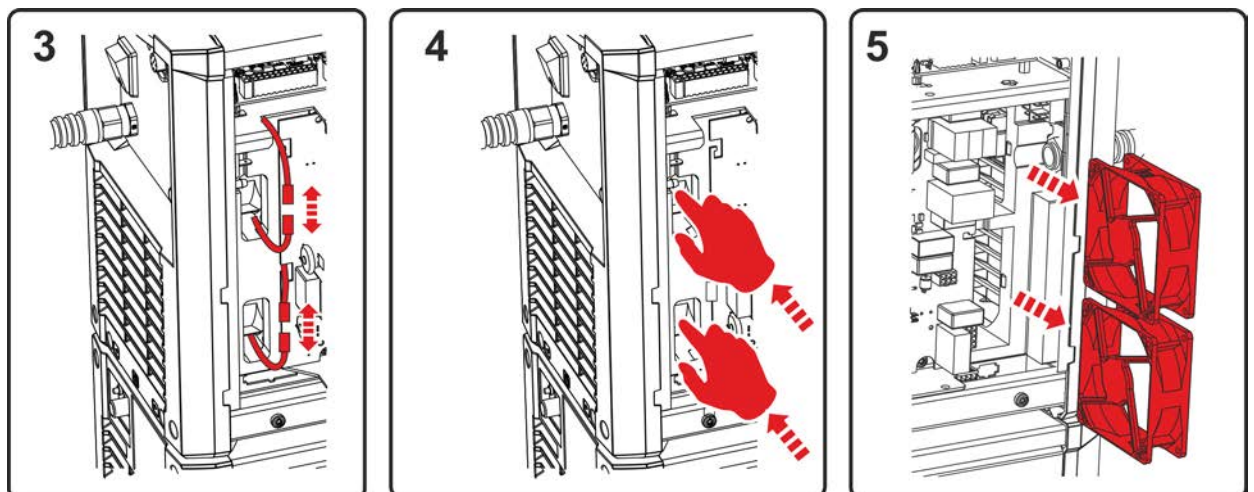


Figure 6-6

- Disconnect the plugs of the supply lines to the machine fan.
- Press the fan with your finger through the corresponding openings towards the opposite side.
- Pull out the machine fan.

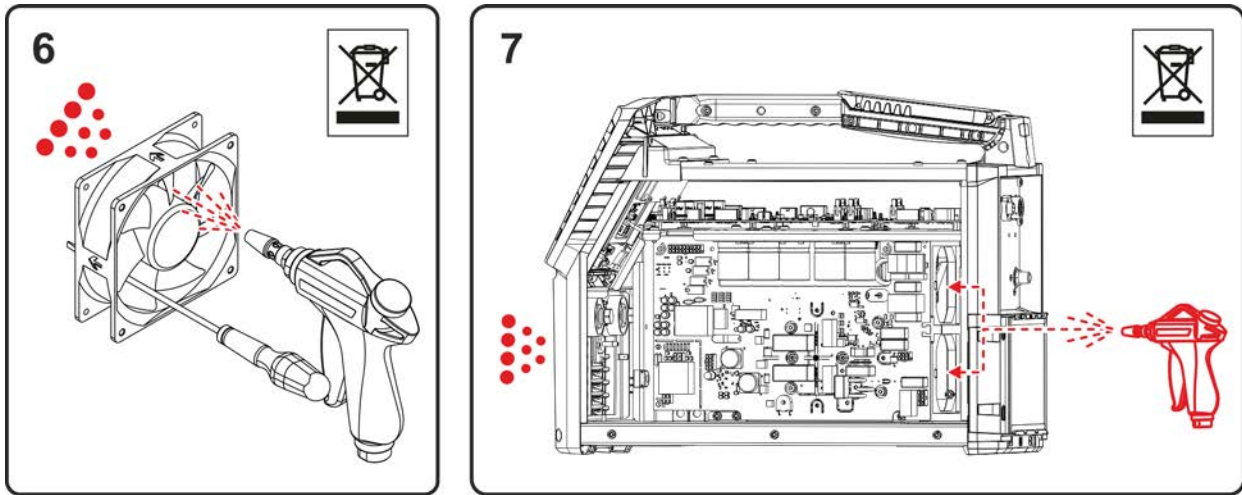


Figure 6-7

- Clean the machine fan with compressed air free of oil and water.

Block the fan wheel of the machine fan mechanically (the machine fan may over-rotate due to the compressed air and be damaged as a result)!

- Blow out the inverter through both fan openings from the back to the front with compressed air free of oil and water. Do not blow directly towards external electronic components.

Follow the official regulations for the disposal of dirt residues!

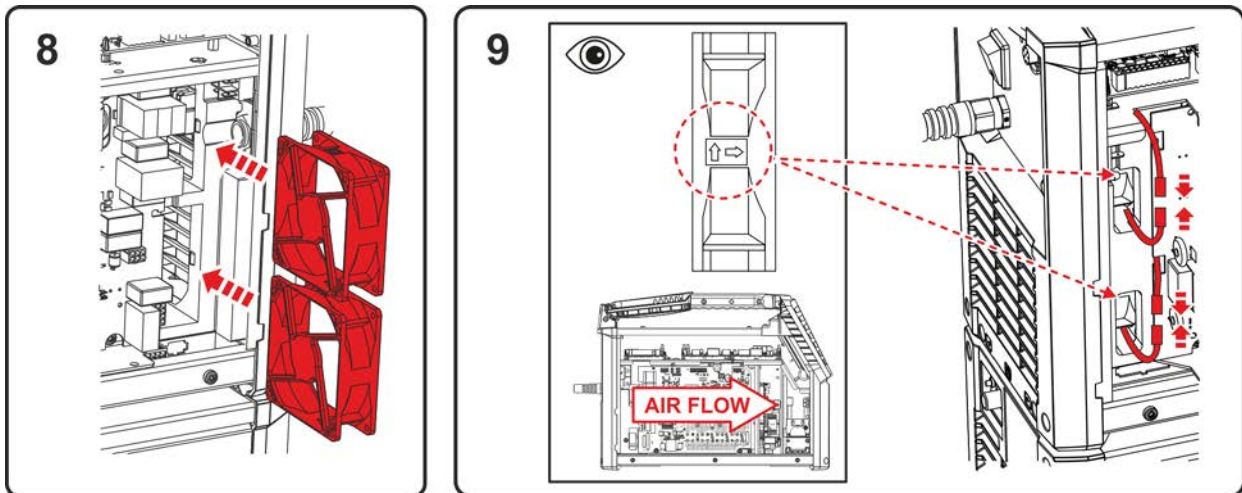


Figure 6-8

- Push the machine fan back in (note the installation direction).
- Reconnect the plugs of the supply lines to the machine fan.

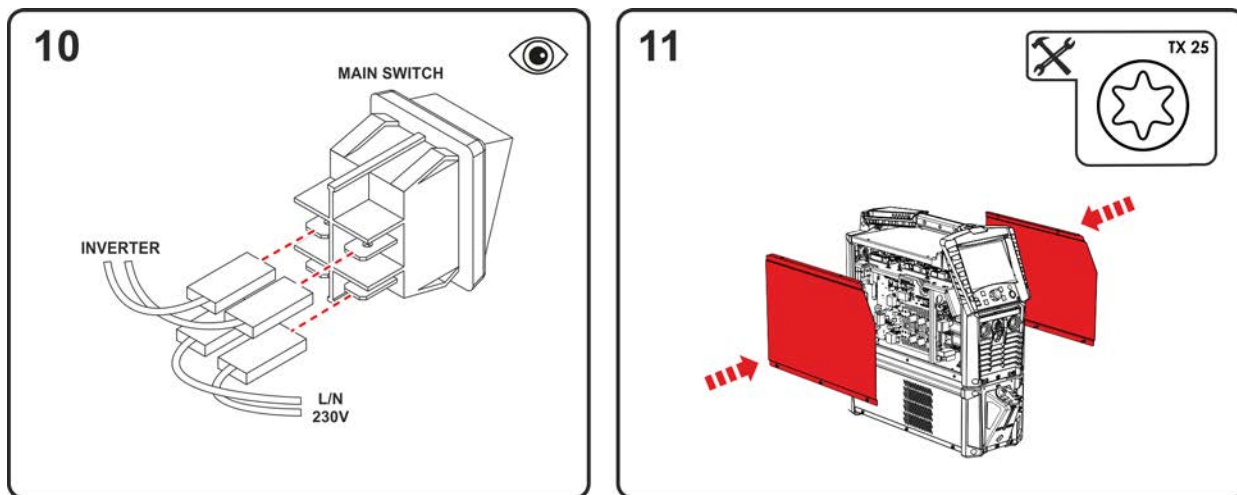


Figure 6-9

- Reconnect all four power lines to the main switch (note inputs / outputs).
- Reinstall the side panels and secure with the screws.
- Check the machine according to applicable regulations.

6.3.4 Heat exchanger (torch cooling)

⚠ WARNING

Risk of injury due to insufficient training!
An appropriate training is necessary for the following maintenance steps to avoid injuries.

- This maintenance step may only be carried out by trained and authorized specialist staff.
- Observe warnings and maintenance instructions at the beginning of this chapter!

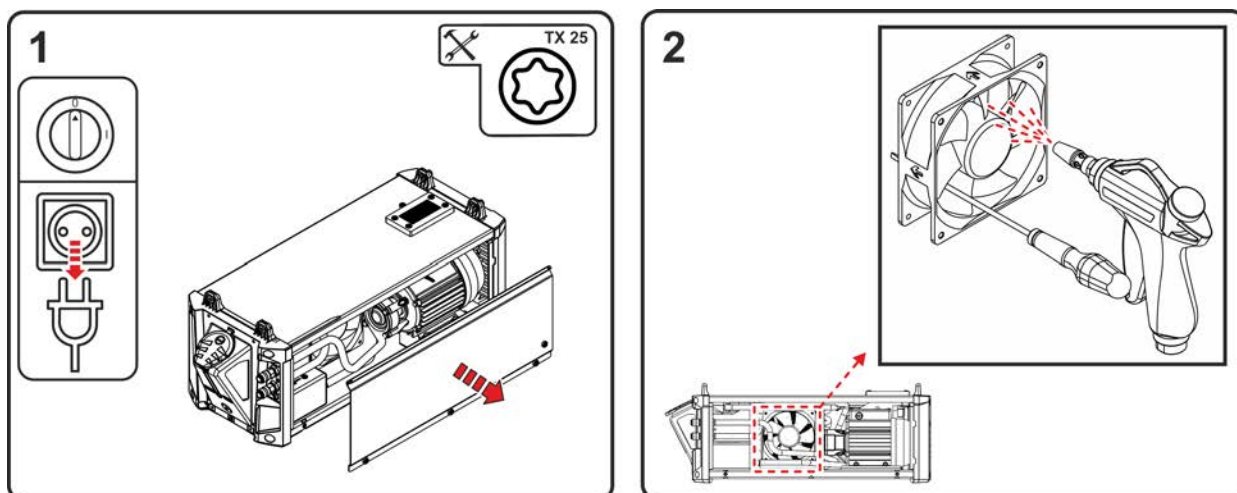


Figure 6-10

- Switch off the machine and disconnect the mains plug. Remove the screws of the side panels. Remove side panels (fold out sideways at the bottom and pull out downwards).
- Clean the machine fan with compressed air free of oil and water.

Block the fan wheel of the machine fan mechanically (the machine fan may over-rotate due to the compressed air and be damaged as a result)!

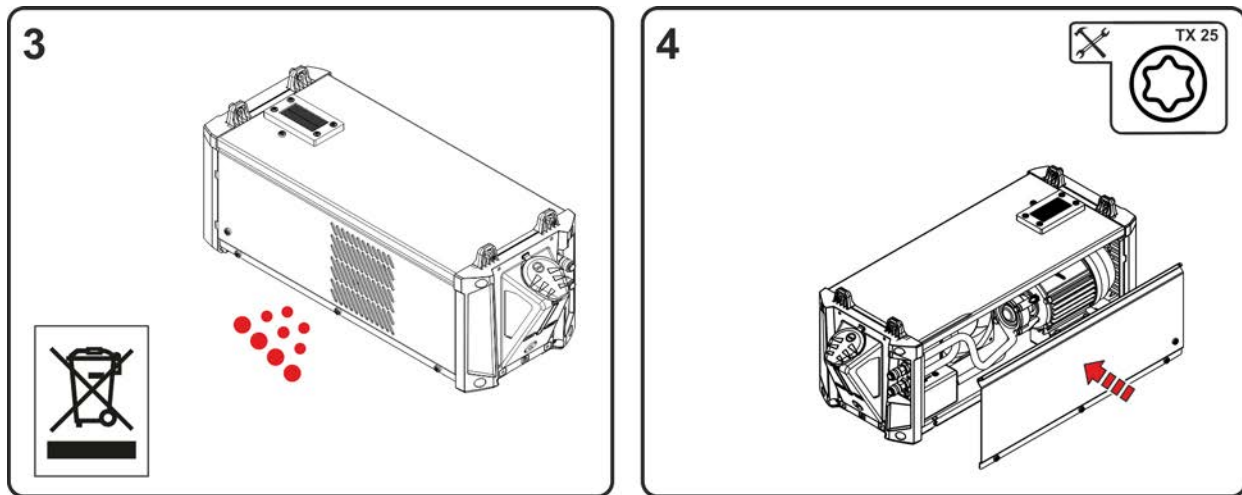


Figure 6-11

Follow official regulations on disposal!

- After cleaning, remove any mechanical blockages from the fans, close the machine in reverse order and check according to applicable regulations.

6.3.5 Annual test (inspection and testing during operation)

A periodic test according to IEC 60974-4 "Periodic inspection and test" has to be carried out. In addition to the regulations on testing given here, the relevant local laws and regulations must also be observed. For more information refer to the "Warranty registration" brochure supplied and our information regarding warranty, maintenance and testing at www.ewm-group.com!

6.4 Disposing of equipment



Proper disposal!

The machine contains valuable raw materials, which should be recycled, and electronic components, which must be disposed of.

- **Do not dispose of in household waste!**
- **Observe the local regulations regarding disposal!**
- According to European provisions (Directive 2012/19/EU on Waste of Electrical and Electronic Equipment), used electric and electronic equipment may no longer be placed in unsorted municipal waste. It must be collected separately. The symbol depicting a waste container on wheels indicates that the equipment must be collected separately. This machine has to be disposed of, or recycled, in accordance with the waste separation systems in use.
- According to German law (law governing the distribution, taking back and environmentally correct disposal of electric and electronic equipment (ElektroG)), used machines are to be placed in a collection system separate from unsorted municipal waste. The public waste management utilities (communities) have created collection points at which used equipment from private households can be disposed of free of charge.
- Information about returning used equipment or about collections can be obtained from the respective municipal administration office.
- In addition to this, returns are also possible throughout Europe via EWM sales partners.

7 Rectifying faults

All products are subject to rigorous production checks and final checks. If, despite this, something fails to work at any time, please check the product using the following flowchart. If none of the fault rectification procedures described leads to the correct functioning of the product, please inform your authorised dealer.

7.1 Checklist for rectifying faults

The correct machine equipment for the material and process gas in use is a fundamental requirement for perfect operation!

Legend	Symbol	Description
	↗	Fault/Cause
	✘	Remedy

Mains fuse triggers

- ↗ Mains fuse triggers - unsuitable mains fuse
 - ✘ Set up recommended mains fuse > see 8 chapter.

Functional errors

- ↗ Insufficient coolant flow
 - ✘ Check coolant level and refill if necessary
 - ✘ Eliminate kinks in conduit system (hose packages)
 - ✘ Reset automatic cutout of the coolant pump by activating
- ↗ Air in the coolant circuit
 - ✘ Vent coolant circuit > see 7.4 chapter
- ↗ Several parameters cannot be set (machines with access block)
 - ✘ Entry level is blocked, disable access lock
- ↗ All machine control signal lights are illuminated after switching on
- ↗ No machine control signal light is illuminated after switching on
- ↗ No welding power
 - ✘ Phase failure > check mains connection (fuses)
- ↗ Connection problems
 - ✘ Make control lead connections and check that they are fitted correctly.

Welding torch overheated

- ↗ Loose welding current connections
 - ✘ Tighten power connections on the torch and/or on the workpiece
 - ✘ Tighten contact tip correctly
- ↗ Overload
 - ✘ Check and correct welding current setting
 - ✘ Use a more powerful welding torch

No arc ignition

- ↗ Incorrect ignition type setting.
 - ✘ Ignition type: Select "HF start". Depending on the machine, the setting is defined by the change-over switch for ignition types or the hF parameter in one of the machine menus (see the "Control operating instructions", if applicable).

Bad arc ignition

- ↗ Material inclusions in the tungsten electrode due to contact with filler material or workpiece
 - ✘ Regrind or replace the tungsten electrode
- ↗ Bad current transfer on ignition
 - ✘ Check the setting on the "Tungsten electrode diameter/ignition optimisation" rotary dial and increase if necessary (higher ignition energy).

Unstable arc


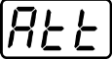
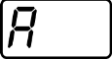
- ✓ Material inclusions in the tungsten electrode due to contact with filler material or workpiece
 - ✘ Regrind or replace the tungsten electrode
- ✓ Incompatible parameter settings
 - ✘ Check settings and correct if necessary

Pore formation

- ✓ Inadequate or missing gas shielding
 - ✘ Check shielding gas setting and replace shielding gas cylinder if necessary
 - ✘ Shield welding site with protective screens (draughts affect the welding result)
 - ✘ Use gas lens for aluminium applications and high-alloy steels
- ✓ Unsuitable or worn welding torch equipment
 - ✘ Check size of gas nozzle and replace if necessary
- ✓ Condensation in the gas tube
 - ✘ Purge hose package with gas or replace

7.2 Warnings

Depending on the display options of the machine display, a warning message is displayed as follows:

Display type - machine control	Display
Graphic display	
two 7-segment displays	
one 7-segment display	

The cause of the warning is indicated by a corresponding warning number (see table).

- In case of multiple warnings, these are displayed in sequence.
- Document machine warning and inform service personnel, if required.

Warning	Possible cause / remedy
1 Excess temperature	A shutdown is imminent due to excess temperature.
2 Half-wave failures	Check process parameters.
3 Welding torch cooling warning	Check coolant level and top up if necessary.
4 Shielding gas	Check shielding gas supply.
5 Coolant flow	Check min. flow rate. [2]
6 Wire reserve	Only a small amount of wire is left on the spool.
7 CAN bus failure	Wire feeder not connected, automatic circuit-breaker of wire feed motor (reset the tripped automatic circuit-breaker by actuating).
8 Welding circuit	The welding circuit inductance is too high for the selected welding task.
9 WF configuration	Check WF configuration.
10 Partial inverter	One of several partial inverters is not supplying welding current.
11 Excess temperature, coolant [1]	Check temperature and switching thresholds. [2]
12 Welding monitor	The actual value of a welding parameter is outside the specified tolerance field.
13 Contact error	The resistance in the welding circuit is too high. Check earth connection.

Warning	Possible cause / remedy
16 Protective gas warning	Check the gas supply.
17 Plasma gas warning	Check the gas supply.
18 Forming gas warning	Check the gas supply.
19 Gas warning 4	reserved
20 Coolant temperature warning	Check coolant level and top up if necessary.
21 Excess temperature 2	reserved
22 Excess temperature 3	reserved
23 Excess temperature 4	reserved
24 Coolant flow warning	Check coolant supply. Check coolant level and top up if necessary. Check flow and switching thresholds. ^[2]
25 Flow 2	reserved
26 Flow 3	reserved
27 Flow 4	reserved
28 Wire stock warning	Check wire feeding.
29 Low wire 2	reserved
30 Low wire 3	reserved
31 Low wire 4	reserved
32 Tacho error	Fault of wire feeder - permanent overload of the wire drive.
33 Wire feed motor excess current	Excess current detected on wire feed motor.
34 JOB unknown	JOB selection was not performed because the JOB number is unknown.
35 Wire feed motor slave excess current	Excess current detected on wire feed motor slave (push/push system or intermediate drive).
36 Slave tacho error	Fault of wire feed unit - permanent overload of the wire drive (push/push system or intermediate drive).
37 FST bus failure	Wire feed unit not connected (reset wire feed motor automatic cutout by pressing).
38 Incomplete component information	Check XNET component management.
39 Halfwave failure	Check supply voltage.


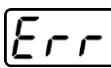
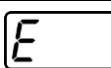
^[1] only for XQmachine series

^[2] See technical data for values and other switching thresholds > see 8 chapter.

7.3 Error messages (power source)

The possible error numbers displayed depend on the machine series and version!

Depending on the options of the machine display, a fault is shown as follows:

Display type - machine control	Display
Graphic display	
two 7-segment displays	
one 7-segment display	

The possible cause of the fault is signalled by a corresponding fault number (see table). In the case of an error, the power unit shuts down.

- Document machine errors and inform service staff as necessary.
- If multiple errors occur, these are displayed in succession.
- Document machine warning and inform service personnel, if required.
- If there are several errors in a control system, the error with the lowest error number (Err) is displayed. If this error is corrected, the next higher error number appears. This process is repeated until all errors have been resolved.

Reset error (category legend)



^A The error message disappears when the error is eliminated.

^B The error message can be reset by pressing a push-button ◀.

All other error messages can only be reset by switching the machine off and on again.

Error (category)	Possible cause	Remedy
3 ^{A, B} Tacho error	Wire feed unit interference	Check connections (connections, pipes).
	Permanent overload of the wire drive.	Do not place the liner in tight radii. Check liner for smooth movement.
4 ^A Excess temperature	Power source overheated	Allow the switched on machine to cool down.
	Fan blocked, dirty or defective.	Check fan and clean or replace.
	Air inlet or outlet blocked.	Check air inlet and outlet.
5 Mains overvoltage	Mains voltage too high	Check the mains voltages and compare with the power source connection voltages.
6 Mains undervoltage	Mains voltage too low	

Error (category)	Possible cause	Remedy
7 ^B Low coolant level	low flow rate	Fill coolant.
		Check coolant flow - remove kinks in hose package.
		Adjust flow threshold. ^[1] ^[3]
		Clean water block.
	Pump does not turn	Turn the pump shaft.
	Air in the coolant circuit	Vent coolant circuit.
	Hose package not completely filled with coolant.	Switch the machine off and on again > pump running > filling process.
	Operation with gas-cooled welding torch.	Deactivate torch cooling. Connecting coolant feed and return to hose bridges.
Failure of automatic circuit-breaker ^[2]	Reset automatic circuit-breaker.	
8 ^{A, B} Shielding gas error	No shielding gas	Check shielding gas supply.
	Pre-pressure too low.	Remove kinks in the hose package (nominal value: 4-6 bar pre-pressure).
9 Overvoltage on secondary	Overvoltage at output: Inverter error	Request service.
10 Earth fault (PE error)	Connection between welding wire and machine casing	Remove electrical connection.
11 ^{A, B} Fast shut-down	Removing the logical signal "robot ready" during the process.	Eliminate errors on the higher-level control.
16 ^A General pilot arc	Emergency stop circuit error	Check emergency stop circuit.
	Temperature error	See description of error 4.
	Short circuit on welding torch	Check welding torch.
	Request service	
17 ^B Cold wire error	See description of error 3.	See description of error 3.
18 ^B Plasma gas error	Low gas level	See description of error 8.
19 ^B Shielding gas error	Low gas level	See description of error 8.
20 ^B Low coolant level	see description of error 7.	See description of error 7.
22 ^A Excess coolant temperature ^[1]	Coolant overheated ^[3]	Allow the switched on machine to cool down.
	Fan blocked, dirty or defective.	Check fan and clean or replace.
	Air inlet or outlet blocked.	Check air inlet and outlet.
23 ^A Excess temperature of the HF choke	External XF ignition unit overheated	Allow the switched on machine to cool down.
24 ^B Pilot arc ignition error	Pilot arc cannot ignite.	Check welding torch equipment.
25 ^B Forming gas error	Low gas level	See description of error 8.
26 ^A Excess pilot arc module temperature	Pilot arc module overheated	See description of error 4.
32 Error I>0 ^[1]	Current recording faulty	Request service.

Error (category)	Possible cause	Remedy
33 Error UIST ^[1]	Voltage recording faulty	Eliminate short circuit in welding circuit.
		remove external sensor voltage.
		Request service.
34 Electronics error	A/D-channel error	Switch the machine off and on again.
		Request service.
35 Electronics error	Slope error	Switch the machine off and on again.
		Request service.
36  -Error	 -Conditions violated.	Switch the machine off and on again.
		Request service.
37 Electronics error	Temperature error	Allow the switched on machine to cool down.
38 Error IIST ^[1]	Short circuit in welding circuit before welding.	Eliminate short circuit in welding circuit.
		Request service.
39 Electronics error	Secondary overvoltage	Switch the machine off and on again.
		Request service.
40 Electronics error	I>0 error	Request service.
47 ^B Bluetooth error	-	Observe accompanying documentation for Bluetooth function.
48 ^B Ignition error	no ignition at process start (automated machines).	Check wire feeding
		Check load cable connections in welding current circuit.
		clean corroded surfaces on work-piece before welding if necessary.
49 ^B Arc interruption	An arc interruption occurred during welding with an automated system.	Check wire feeding.
		Adjust welding speed.
50 ^B Program number	Internal error	Request service.
51 ^A Emergency stop	The emergency stop circuit of the power source has been activated.	Disable the activation of the emergency stop circuit (release protective circuit).
52 No wire feeder	After switching on the automated system, no wire feeder (DV) was detected.	Check or connect the control lines of the wire feeders;
		Check the identification number of the automated wire feeder (for 1DV: number 1, for 2DV: each a wire feeder with number 1 and a wire feeder with number 2).
53 ^B No wire feeder 2	Wire feeder 2 not detected.	Check control cable connections.
54 VRD error	Open circuit voltage reduction error.	if necessary, disconnect external machine from the welding circuit.
		Request service.
55 ^B Excess wire feeder current	Excess current detected on wire feed mechanism.	Do not place the liner in tight radii.
		Check liner for smooth movement.

Error (category)	Possible cause	Remedy
56 Mains phase failure	One phase of the mains voltage has failed.	Check mains connection, mains plug and mains fuses.
57^B Slave tacho error	Wire feeder fault (slave drive).	Check connectors, cables, connections.
	Permanent overload of the wire drive (slave drive).	Do not place the liner in tight radii. Check liner for smooth movement.
58^B Short circuit	Check welding circuit for short circuit.	Check welding current circuit.
		Place welding torch on an insulated surface.
59 Incompatible machine	A machine connected to the system is not compatible.	Disconnect incompatible machine from system.
60 Incompatible software	A machine's software is not compatible.	Request service.
61 Welding monitor	The actual value of a welding parameter is outside the specified tolerance field.	Observe tolerance fields.
		Adjust welding parameters.
62 System component ^[1]	System component not found.	Request service.
63 Mains voltage error	Operating and mains voltage are incompatible	Check or adjust operating and mains voltage

^[1] only for XQ. machine series

^[2] not for XQ. machine series

^[3] See technical data for values and other switching thresholds > see 8 chapter.

7.4 Vent coolant circuit

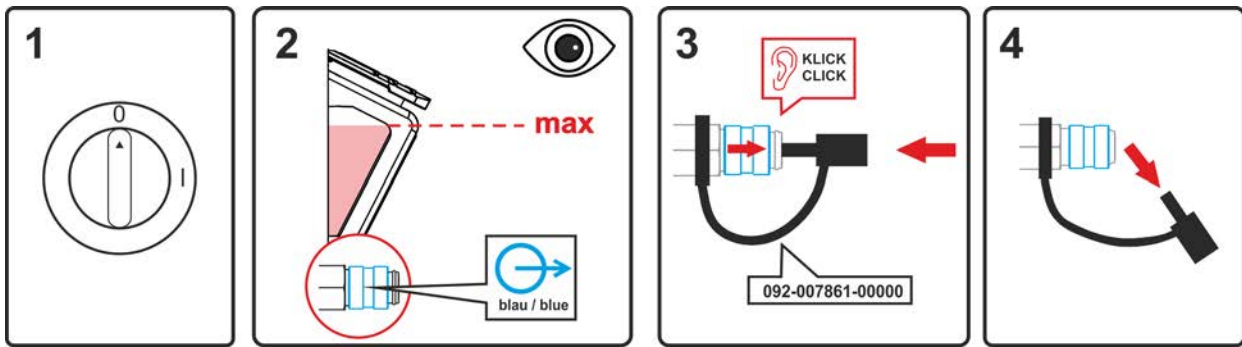


Figure 7-1

- Switch off the machine and fill the coolant tank to the maximum level.
- Unlock the quick-connect coupling with a suitable tool (connection open).

To vent the cooling system always use the blue coolant connection, which is located as deep as possible inside the system (close to the coolant tank)!

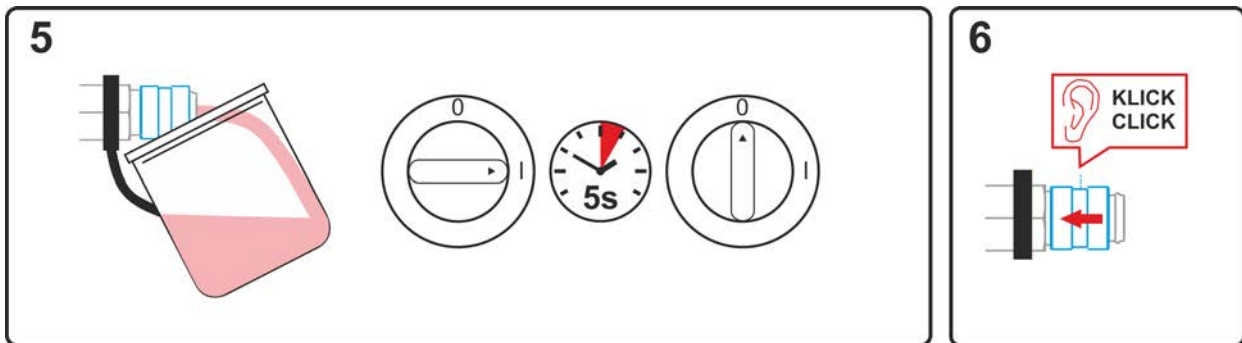


Figure 7-2

- Position a suitable collection container for collecting the escaping coolant at the quick-connect coupling and switch on the machine for approx. 5s.
- Lock the quick-connect coupling by pushing back the locking ring.

8 Technical data

Performance specifications and guarantee only in connection with original spare and replacement parts!

8.1 Dimensions and weighte

	Tetrix XQ 230 puls DC		Tetrix XQ 230 puls AC/DC	
Dimensions (l x b x h)	mm		inch	
b1	257		10.1	
b2	224		8.8	
l	550		21.7	
h	415		16.3	
Weight	kg	lb.	kg	lb.
	17,5	38.6	19,2	42.3

8.2 Tetrix XQ 230 puls DC

	TIG	MMA
Welding current (I ₂)	3 A to 230 A	5 A to 190 A
Welding voltage according to standard (U ₂)	10,1 V to 19,2 V	20,2 V to 27,6 V
Duty cycle DC at 40° C ^[1]		
35 %	-	190 A
45 %	230 A	-
60 %	205 A	155 A
100 %	170 A	125 A
Mains voltage (Tolerance)	1 x 230 V (-40 % to +15 %)	
Frequency	50/60 Hz	
mains fuse ^[2]	1 x 16 A	
Open circuit voltage (U ₀)	96 V	
max. Connected load (S ₁)	5,2 kVA	6,2 kVA
Generator rating (Rec.)	8,2 kVA	
Power consumption P ₀	26 W	
Cos φ / efficiency	0,99 / 87 %	
Protection class / Overvoltage category	I / III	
Contamination level	3	
Insulation class / protection classification	H / IP 23	
Residual current circuit breaker	Type B (recommended)	
Noise level ^[3]	<70 dB(A)	
Ambient temperature ^[4]	-25 °C to +40 °C	
Machine cooling / Torch cooling	Fan (AF) / gas	
Mains connection cable	H07RN-F3G2,5	
Workpiece lead (min.)	35 mm ²	
EMC class	A	
Safety marking	☐ / C E / ENEC	
Standards used	See declaration of conformity (appliance documents)	




^[1] Load cycle: 10 min. (60 % DC \triangleq 6 min. welding, 4 min. pause)

^[2] Safety fuses are recommended DIAZED xxA gG. When using automatic cutouts, the "C" trigger characteristic must be used.

^[3] Noise level during idle mode and operation under standard load according to IEC 60974- 1 at the maximum operating point.

^[4] Ambient temperature dependent on coolant! Observe coolant temperature range!

8.3 Tetrix XQ 230 puls AC/DC

	TIG	MMA
Welding current (I ₂)	3 A to 230 A	5 A to 190 A
Welding voltage according to standard (U ₂)	10,1 V to 19,2 V	20,2 V to 27,6 V
Duty cycle DC at 40° C ^[1]		
35 %	-	190 A
40 %	230 A	-
60 %	200 A	150 A
100 %	170 A	120 A
Mains voltage (Tolerance)	1 x 230 V (-40 % to +15 %)	
Frequency	50/60 Hz	
mains fuse ^[2]	1 x 16 A	
Open circuit voltage (U ₀)	96 V	
max. Connected load (S ₁)	5,5 kVA	6,5 kVA
Generator rating (Rec.)	8,8 kVA	
Power consumption P ₀	29 W	
Cos φ / efficiency	0,99 / 82 %	
Protection class / Overvoltage category	I / III	
Contamination level	3	
Insulation class / protection classification	H / IP 23	
Residual current circuit breaker	Type B (recommended)	
Noise level ^[3]	<70 dB(A)	
Ambient temperature ^[4]	-25 °C to +40 °C	
Machine cooling / Torch cooling	Fan (AF) / gas	
Mains connection cable	H07RN-F3G2,5	
Workpiece lead (min.)	35 mm ²	
EMC class	A	
Safety marking	 /  / 	
Standards used	See declaration of conformity (appliance documents)	

^[1] Load cycle: 10 min. (60 % DC \triangleq 6 min. welding, 4 min. pause)

^[2] Safety fuses are recommended DIAZED xxA gG. When using automatic cutouts, the "C" trigger characteristic must be used.

^[3] Noise level during idle mode and operation under standard load according to IEC 60974- 1 at the maximum operating point.

^[4] Ambient temperature dependent on coolant! Observe coolant temperature range!

9 Accessories

Performance-dependent accessories like torches, workpiece leads, electrode holders or intermediate hose packages are available from your authorised dealer.

9.1 General accessories

Type	Designation	Item no.
GH 2X1/4" 2M	Gas hose	094-000010-00001
DM 842 Ar/CO2 230bar 30l D	Pressure regulator with manometer	394-002910-00030

9.2 Remote controls and accessories

9.2.1 19-pole connection

Type	Designation	Item no.
RTF1 19POL 5 M	Foot-operated remote control current with connection cable	094-006680-00000
RT1 19POL	Remote control current	090-008097-00000
RTG1 19POL 5m	Remote control, current	090-008106-00000
RTG1 19POL 10m	Remote control, current	090-008106-00010
RA5 19POL 5M	Remote control e.g. connection cable	092-001470-00005
RA10 19POL 10m	Remote control e.g. connection cable	092-001470-00010
RA20 19POL 20m	Remote control e.g. connection cable	092-001470-00020
RV5M19 19POLE 5M	Extension cable	092-000857-00000

9.2.2 Welding torch cooling system

Type	Designation	Item no.
Cool XQ 40	Cooling unit	090-005632-00000
Cool XQ 40 MV	Cooling unit	090-005633-00000
ON Water Filter K.0006	Optional water filter	092-004024-00000
HOSE BRIDGE UNI	Tube bridge	092-007843-00000

9.2.2.1 Coolant - type blueCool

Type	Designation	Item no.
blueCool -10 5 l	Coolant up to -10 °C (14 °F), 5 l	094-024141-00005
blueCool -10 25 l	Coolant up to -10 °C (14 °F), 25 l	094-024141-00025
blueCool -30 5 l	Coolant up to -30 °C (22 °F), 5 l	094-024142-00005
blueCool -30 25 l	Coolant up to -30 °C (22 °F), 25 l	094-024142-00025
FSP blueCool	Frost protection tester	094-026477-00000

9.2.2.2 Coolant - type KF

Type	Designation	Item no.
KF 23E-5	Coolant up to -10 °C (14 °F), 5 l	094-000530-00005
KF 23E-200	Coolant (-10 °C), 200 litres	094-000530-00001
KF 37E-5	Coolant up to -20 °C (4 °F), 5 l	094-006256-00005
KF 37E-200	Coolant (-20 °C), 200 l	094-006256-00001
TYP1	Frost protection tester	094-014499-00000

9.3 Transport system

Type	Designation	Item no.
Trolley 35.3	Trolley for power source, 1 module, shielding gas cylinder 10 l - 50 l	090-008847-00000
Trolley XQ 55-5	Transport cart	090-008637-00000
ON CS Trolley 35.2-2	Crane suspension for Trolley 35.2-2	092-002931-00000

9.4 Options

Type	Designation	Item no.
ON TS TG.11	Torch holder	092-004054-00000
ON Filter TG.11/K.06	Dirt filter for air inlet	092-004056-00000
ON CC TG.11	Transparent cover cap for protection of control	092-004057-00000

10 Appendix

10.1 Searching for a dealer

Sales & service partners

www.ewm-group.com/en/specialist-dealers



"More than 400 EWM sales partners worldwide"