



**EN**

**Welding machine**

**Picomig 355 puls TKM**

099-005542-EW501

Observe additional system documents!

24.03.2020

**Register now  
and benefit!  
Jetzt Registrieren  
und Profitieren!**

[www.ewm-group.com](http://www.ewm-group.com)



# General instructions

## WARNING



### Read the operating instructions!

The operating instructions provide an introduction to the safe use of the products.

- Read and observe the operating instructions for all system components, especially the safety instructions and warning notices!
- Observe the accident prevention regulations and any regional regulations!
- The operating instructions must be kept at the location where the machine is operated.
- Safety and warning labels on the machine indicate any possible risks. Keep these labels clean and legible at all times.
- The machine has been constructed to state-of-the-art standards in line with any applicable regulations and industrial standards. Only trained personnel may operate, service and repair the machine.
- Technical changes due to further development in machine technology may lead to a differing welding behaviour.

**In the event of queries on installation, commissioning, operation or special conditions at the installation site, or on usage, please contact your sales partner or our customer service department on +49 2680 181-0.**

**A list of authorised sales partners can be found at [www.ewm-group.com/en/specialist-dealers](http://www.ewm-group.com/en/specialist-dealers).**

Liability relating to the operation of this equipment is restricted solely to the function of the equipment. No other form of liability, regardless of type, shall be accepted. This exclusion of liability shall be deemed accepted by the user on commissioning the equipment.

The manufacturer is unable to monitor whether or not these instructions or the conditions and methods are observed during installation, operation, usage and maintenance of the equipment.

An incorrectly performed installation can result in material damage and injure persons as a result. For this reason, we do not accept any responsibility or liability for losses, damages or costs arising from incorrect installation, improper operation or incorrect usage and maintenance or any actions connected to this in any way.

### © EWM AG

Dr. Günter-Henle-Strasse 8  
56271 Mündersbach Germany  
Tel.: +49 2680 181-0, Fax: -244  
Email: [info@ewm-group.com](mailto:info@ewm-group.com)  
**[www.ewm-group.com](http://www.ewm-group.com)**

The copyright to this document remains the property of the manufacturer.

Copying, including extracts, only permitted with written approval.

The content of this document has been prepared and reviewed with all reasonable care. The information provided is subject to change; errors excepted.

# 1 Contents

<b>1</b>	<b>Contents</b> .....	<b>3</b>
<b>2</b>	<b>For your safety</b> .....	<b>7</b>
2.1	Notes on using these operating instructions.....	7
2.2	Explanation of icons.....	8
2.3	Part of the complete documentation.....	9
2.4	Safety instructions.....	10
2.5	Transport and installation .....	13
<b>3</b>	<b>Intended use</b> .....	<b>15</b>
3.1	Applications.....	15
3.2	Documents which also apply .....	15
3.2.1	Warranty .....	15
3.2.2	Declaration of Conformity.....	15
3.2.3	Welding in environments with increased electrical hazards.....	15
3.2.4	Service documents (spare parts and circuit diagrams).....	15
3.2.5	Calibration/Validation .....	15
<b>4</b>	<b>Machine description – quick overview</b> .....	<b>16</b>
4.1	Front view / rear view.....	16
4.2	Inside view .....	18
4.3	Machine control – Operating elements .....	20
4.3.1	Welding data display .....	22
4.3.2	Polarity setting .....	22
<b>5</b>	<b>Design and function</b> .....	<b>23</b>
5.1	Transport and installation .....	23
5.1.1	Ambient conditions .....	23
5.1.1.1	In operation .....	23
5.1.1.2	Transport and storage.....	23
5.1.2	Machine cooling.....	24
5.1.3	Workpiece lead, general.....	24
5.1.4	Welding torch cooling system.....	24
5.1.4.1	Cooling unit connection.....	24
5.1.5	Notes on the installation of welding current leads.....	25
5.1.6	Stray welding currents .....	26
5.1.7	Mains connection.....	27
5.1.7.1	Mains configuration .....	27
5.1.8	Welding torch holder .....	28
5.1.9	Shielding gas supply (shielding gas cylinder for welding machine) .....	29
5.1.9.1	Pressure regulator connection .....	29
5.1.9.2	Shielding gas hose connection .....	30
5.1.10	Shielding gas volume settings.....	30
5.1.10.1	Gas test.....	31
5.1.10.2	Purge hose package .....	31
5.2	MIG/MAG welding.....	31
5.2.1	Welding torch and workpiece line connection .....	31
5.2.2	MIG/MAG function torch.....	33
5.2.3	MIG/MAG Push/Pull welding torch.....	33
5.2.4	Wire feed .....	33
5.2.4.1	Inserting the wire spool.....	34
5.2.4.2	Changing the wire feed rollers .....	35
5.2.4.3	Inching the wire electrode .....	37
5.2.4.4	Spool brake setting .....	38
5.2.5	Definition of MIG/MAG welding tasks.....	38
5.2.6	Welding task selection.....	39
5.2.7	Welding power (operating point) .....	39
5.2.7.1	Selecting the welding parameter display mode .....	39
5.2.7.2	Operating point setting using material thickness .....	40
5.2.7.3	Arc length.....	40
5.2.8	forceArc / forceArc puls .....	40
5.2.9	rootArc/rootArc puls.....	41

5.2.10	Operating modes (functional sequences).....	41
5.2.10.1	Explanation of signs and functions.....	41
5.2.10.2	Automatic cut-out .....	41
5.2.11	Conventional MIG/MAG Welding (GMAW non synergic).....	45
5.2.12	Expert menu (MIG/MAG).....	46
5.3	MMA welding.....	47
5.3.1	Connecting the electrode holder and workpiece lead .....	47
5.3.2	Welding task selection .....	48
5.3.3	Arcforce.....	48
5.3.4	Hotstart .....	48
5.3.5	Antistick.....	49
5.3.6	Expert menu (MMA).....	49
5.4	TIG welding .....	50
5.4.1	Preparing the TIG welding torch.....	50
5.4.2	Welding torch and workpiece line connection .....	50
5.4.3	Welding task selection .....	51
5.4.4	Adjusting the gas post-flow time.....	51
5.4.5	Expert menu (TIG).....	52
5.4.6	Arc ignition .....	53
5.4.6.1	Liftarc.....	53
5.4.7	Operating modes (functional sequences).....	53
5.4.7.1	Legend.....	53
5.4.7.2	Automatic cut-out .....	53
5.5	Remote control.....	55
5.6	Special parameters (advanced settings).....	55
5.6.1	Selecting, changing and saving parameters.....	56
5.6.2	Special parameters in detail .....	56
5.6.2.1	Ramp time for wire inching (P1).....	56
5.6.2.2	Latched/special-latched tap start (P9).....	56
5.6.3	Reset to factory settings .....	57
5.7	Machine configuration menu .....	58
5.7.1	Selecting, changing and saving parameters.....	58
5.7.2	Aligning the cable resistance .....	59
5.8	Power-saving mode (Standby).....	60
<b>6</b>	<b>Maintenance, care and disposal .....</b>	<b>61</b>
6.1	General.....	61
6.1.1	Cleaning.....	61
6.1.2	Dirt filter.....	61
6.2	Maintenance work, intervals .....	62
6.2.1	Daily maintenance tasks.....	62
6.2.2	Monthly maintenance tasks .....	62
6.2.3	Annual test (inspection and testing during operation) .....	62
6.3	Disposing of equipment.....	63
<b>7</b>	<b>Rectifying faults.....</b>	<b>64</b>
7.1	Checklist for rectifying faults .....	64
7.2	Error messages (power source).....	65
7.3	Welding parameter calibration .....	67
7.4	Resetting welding parameters to the factory settings .....	68
7.5	Resetting JOBS (welding tasks) to the factory settings.....	69
7.5.1	Resetting a single JOB .....	69
7.5.2	Resetting all JOBS .....	69
<b>8</b>	<b>Technical data.....</b>	<b>70</b>
8.1	Picomig 355 puls TKM .....	70
<b>9</b>	<b>Accessories .....</b>	<b>71</b>
9.1.1	Welding torch cooling system.....	71
9.2	Transport systems.....	71
9.3	Remote control/connecting and extension cable .....	71
9.3.1	19-pole connection .....	71
9.4	Options.....	71

9.5	General accessories .....	72
<b>10</b>	<b>Replaceable parts .....</b>	<b>73</b>
10.1	Wire feed rollers .....	73
10.1.1	Wire feed rollers for steel wire .....	73
10.1.2	Wire feed rollers for aluminium wire .....	73
10.1.3	Wire feed rollers for cored wire .....	74
10.1.4	Wire guide .....	74
<b>11</b>	<b>Appendix .....</b>	<b>75</b>
11.1	JOB-List .....	75
11.2	Parameter overview – setting ranges .....	76
11.3	Searching for a dealer .....	77



## 2 For your safety

### 2.1 Notes on using these operating instructions

#### **DANGER**

**Working or operating procedures which must be closely observed to prevent imminent serious and even fatal injuries.**

- Safety notes include the "DANGER" keyword in the heading with a general warning symbol.
- The hazard is also highlighted using a symbol on the edge of the page.

#### **WARNING**

**Working or operating procedures which must be closely observed to prevent serious and even fatal injuries.**

- Safety notes include the "WARNING" keyword in the heading with a general warning symbol.
- The hazard is also highlighted using a symbol in the page margin.

#### **CAUTION**

**Working or operating procedures which must be closely observed to prevent possible minor personal injury.**

- The safety information includes the "CAUTION" keyword in its heading with a general warning symbol.
- The risk is explained using a symbol on the edge of the page.



***Technical aspects which the user must observe to avoid material or equipment damage.***

Instructions and lists detailing step-by-step actions for given situations can be recognised via bullet points, e.g.:

- Insert the welding current lead socket into the relevant socket and lock.

## 2.2 Explanation of icons

Symbol	Description	Symbol	Description
	Indicates technical aspects which the user must observe.		Activate and release / Tap / Tip
	Switch off machine		Release
	Switch on machine		Press and hold
			Switch
	Incorrect / Invalid		Turn
	Correct / Valid		Numerical value – adjustable
	Input		Signal light lights up in green
	Output		Signal light flashes green
	Time representation (e.g.: wait 4 s / actuate)		Signal light lights up in red
	Interruption in the menu display (other setting options possible)		Signal light flashes red
	Tool not required/do not use		
	Tool required/use		



## 2.3 Part of the complete documentation

This document is part of the complete documentation and valid only in combination with all other parts of these instructions! Read and observe the operating instructions for all system components, especially the safety instructions!

The illustration shows a general example of a welding system.

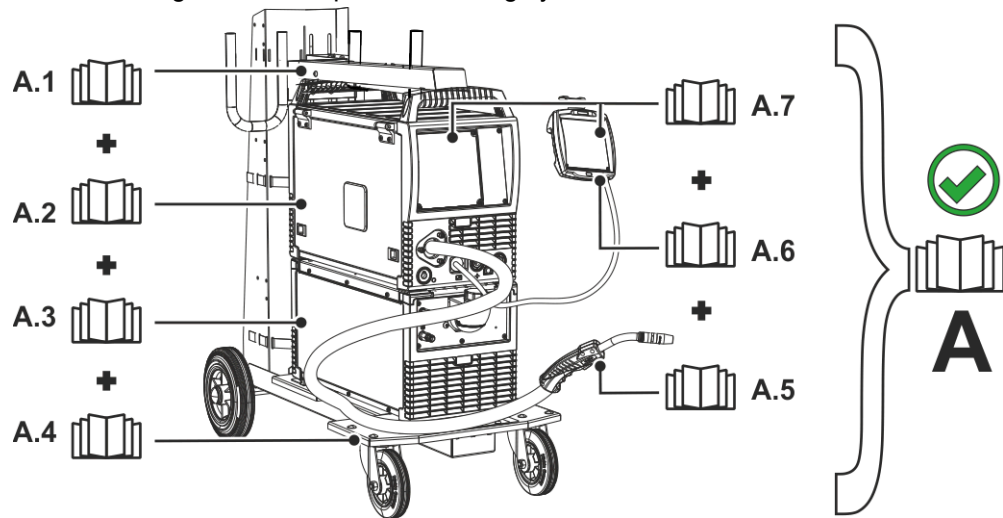


Figure 2-1

Item	Documentation
A.1	Conversion instructions for optional equipment
A.2	Power source
A.3	Cooling unit, voltage converter, tool box etc.
A.4	Transport cart
A.5	Welding torch
A.6	Remote control
A.7	Control
A	Complete documentation

## 2.4 Safety instructions

### **WARNING**



#### **Risk of accidents due to non-compliance with the safety instructions!**

##### **Non-compliance with the safety instructions can be fatal!**

- Carefully read the safety instructions in this manual!
- Observe the accident prevention regulations and any regional regulations!
- Inform persons in the working area that they must comply with the regulations!



#### **Risk of injury from electrical voltage!**

##### **Voltages can cause potentially fatal electric shocks and burns on contact. Even low voltages can cause a shock and lead to accidents.**

- Never touch live components such as welding current sockets or stick, tungsten or wire electrodes!
- Always place torches and electrode holders on an insulated surface!
- Wear the full personal protective equipment (depending on the application)!
- The machine may only be opened by qualified personnel!
- The device must not be used to defrost pipes!



#### **Hazard when interconnecting multiple power sources!**

##### **If a number of power sources are to be connected in parallel or in series, only a technical specialist may interconnect the sources as per standard IEC 60974-9:2010: Installation and use and German Accident Prevention Regulation BVG D1 (formerly VBG 15) or country-specific regulations.**

##### **Before commencing arc welding, a test must verify that the equipment cannot exceed the maximum permitted open circuit voltage.**

- Only qualified personnel may connect the machine.
- When taking individual power sources out of operation, all mains and welding current leads must be safely disconnected from the welding system as a whole. (Hazard due to reverse polarity voltage!)
- Do not interconnect welding machines with pole reversing switch (PWS series) or machines for AC welding since a minor error in operation can cause the welding voltages to be combined, which is not permitted.



#### **Risk of injury due to improper clothing!**

##### **During arc welding, radiation, heat and voltage are sources of risk that cannot be avoided. The user has to be equipped with the complete personal protective equipment at all times. The protective equipment has to include:**

- Respiratory protection against hazardous substances and mixtures (fumes and vapours); otherwise implement suitable measures such as extraction facilities.
- Welding helmet with proper protection against ionizing radiation (IR and UV radiation) and heat.
- Dry welding clothing (shoes, gloves and body protection) to protect against warm environments with conditions comparable to ambient temperatures of 100 °C or higher and arcing and work on live components.
- Hearing protection against harming noise.



#### **Risk of injury due to radiation or heat!**

##### **Arc radiation can lead to skin and eye injuries.**

##### **Contact with hot workpieces and sparks can lead to burns.**

- Use hand shield or welding helmet with the appropriate safety level (depends on the application).
- Wear dry protective clothing (e.g. hand shield, gloves, etc.) in accordance with the applicable regulations of your country.
- Persons who are not directly involved should be protected with a welding curtain or suitable safety screen against radiation and the risk of blinding!

**⚠ WARNING****Explosion risk!**

**Apparently harmless substances in closed containers may generate excessive pressure when heated.**

- Move containers with inflammable or explosive liquids away from the working area!
- Never heat explosive liquids, dusts or gases by welding or cutting!

**Fire hazard!**

**Due to the high temperatures, sparks, glowing parts and hot slag that occur during welding, there is a risk of flames.**

- Be watchful of potential sources of fire in the working area!
- Do not carry any easily inflammable objects, e.g. matches or lighters.
- Ensure suitable fire extinguishers are available in the working area!
- Thoroughly remove any residue of flammable materials from the workpiece prior to starting to weld.
- Only further process workpieces after they have cooled down. Do not allow them to contact any flammable materials!

**⚠ CAUTION****Smoke and gases!**

**Smoke and gases can lead to breathing difficulties and poisoning. In addition, solvent vapour (chlorinated hydrocarbon) may be converted into poisonous phosgene due to the ultraviolet radiation of the arc!**

- Ensure that there is sufficient fresh air!
- Keep solvent vapour away from the arc beam field!
- Wear suitable breathing apparatus if appropriate!

**Noise exposure!**

**Noise exceeding 70 dBA can cause permanent hearing damage!**

- Wear suitable ear protection!
- Persons located within the working area must wear suitable ear protection!

## ⚠ CAUTION



According to IEC 60974-10, welding machines are divided into two classes of electromagnetic compatibility (the EMC class can be found in the Technical data) > see 8 chapter:



**Class A** machines are not intended for use in residential areas where the power supply comes from the low-voltage public mains network. When ensuring the electromagnetic compatibility of class A machines, difficulties can arise in these areas due to interference not only in the supply lines but also in the form of radiated interference.



**Class B** machines fulfil the EMC requirements in industrial as well as residential areas, including residential areas connected to the low-voltage public mains network.

### Setting up and operating

When operating arc welding systems, in some cases, electro-magnetic interference can occur although all of the welding machines comply with the emission limits specified in the standard. The user is responsible for any interference caused by welding.

In order to **evaluate** any possible problems with electromagnetic compatibility in the surrounding area, the user must consider the following: (see also EN 60974-10 Appendix A)

- Mains, control, signal and telecommunication lines
- Radios and televisions
- Computers and other control systems
- Safety equipment
- The health of neighbouring persons, especially if they have a pacemaker or wear a hearing aid
- Calibration and measuring equipment
- The immunity to interference of other equipment in the surrounding area
- The time of day at which the welding work must be carried out

### Recommendations for **reducing interference emission**

- Mains connection, e.g. additional mains filter or shielding with a metal tube
- Maintenance of the arc welding system
- Welding leads should be as short as possible and run closely together along the ground
- Potential equalization
- Earthing of the workpiece. In cases where it is not possible to earth the workpiece directly, it should be connected by means of suitable capacitors.
- Shielding from other equipment in the surrounding area or the entire welding system



### Electromagnetic fields!

The power source may cause electrical or electromagnetic fields to be produced which could affect the correct functioning of electronic equipment such as IT or CNC devices, telecommunication lines, power cables, signal lines and pacemakers.



- Observe the maintenance instructions > see 6.2 chapter!
- Unwind welding leads completely!
- Shield devices or equipment sensitive to radiation accordingly!
- The correct functioning of pacemakers may be affected (obtain advice from a doctor if necessary).



### Obligations of the operator!

The respective national directives and laws must be complied with when operating the machine!

- Implementation of national legislation relating to framework directive 89/391/EEC on the introduction of measures to encourage improvements in the safety and health of workers at work and associated individual guidelines.
- In particular, directive 89/655/EEC concerning the minimum safety and health requirements for the use of work equipment by workers at work.
- The regulations applicable to occupational safety and accident prevention in the country concerned.
- Setting up and operating the machine as per IEC 60974.-9.
- Brief the user on safety-conscious work practices on a regular basis.
- Regularly inspect the machine as per IEC 60974.-4.



**The manufacturer's warranty becomes void if non-genuine parts are used!**

- Only use system components and options (power sources, welding torches, electrode holders, remote controls, spare parts and replacement parts, etc.) from our range of products!
- Only insert and lock accessory components into the relevant connection socket when the machine is switched off.

#### Requirements for connection to the public mains network

High-performance machines can influence the mains quality by taking current from the mains network. For some types of machines, connection restrictions or requirements relating to the maximum possible line impedance or the necessary minimum supply capacity at the interface with the public network (Point of Common Coupling, PCC) can therefore apply. In this respect, attention is also drawn to the machines' technical data. In this case, it is the responsibility of the operator, where necessary in consultation with the mains network operator, to ensure that the machine can be connected.

## 2.5 Transport and installation

### WARNING



**Risk of injury due to improper handling of shielding gas cylinders!**

**Improper handling and insufficient securing of shielding gas cylinders can cause serious injuries!**

- Observe the instructions from the gas manufacturer and any relevant regulations concerning the use of compressed air!
- Do not attach any element to the shielding gas cylinder valve!
- Prevent the shielding gas cylinder from heating up.

### CAUTION



**Risk of accidents due to supply lines!**

**During transport, attached supply lines (mains leads, control cables, etc.) can cause risks, e.g. by causing connected machines to tip over and injure persons!**

- Disconnect all supply lines before transport!



**Risk of tipping!**

**There is a risk of the machine tipping over and injuring persons or being damaged itself during movement and set up. Tilt resistance is guaranteed up to an angle of 10° (according to IEC 60974-1).**

- Set up and transport the machine on level, solid ground.
- Secure add-on parts using suitable equipment.



**Risk of accidents due to incorrectly installed leads!**

**Incorrectly installed leads (mains, control and welding leads or intermediate hose packages) can present a tripping hazard.**




- Lay the supply lines flat on the floor (avoid loops).
- Avoid laying the leads on passage ways.



**Risk of injury from heated coolant and its connections!**

**The coolant used and its connection or connection points can heat up significantly during operation (water-cooled version). When opening the coolant circuit, escaping coolant may cause scalding.**

- Open the coolant circuit only when the power source or cooling unit is switched off!
- Wear proper protective equipment (protective gloves)!
- Seal open connections of the hose leads with suitable plugs.

-  ***The units are designed for operation in an upright position!  
Operation in non-permissible positions can cause equipment damage.***
  - ***Only transport and operate in an upright position!***
  
-  ***Accessory components and the power source itself can be damaged by incorrect connection!***
  - ***Only insert and lock accessory components into the relevant connection socket when the machine is switched off.***
  - ***Comprehensive descriptions can be found in the operating instructions for the relevant accessory components.***
  - ***Accessory components are detected automatically after the power source is switched on.***
  
-  ***Protective dust caps protect the connection sockets and therefore the machine against dirt and damage.***
  - ***The protective dust cap must be fitted if there is no accessory component being operated on that connection.***
  - ***The cap must be replaced if faulty or if lost!***

### 3 Intended use

#### WARNING



**Hazards due to improper usage!**

The machine has been constructed to the state of the art and any regulations and standards applicable for use in industry and trade. It may only be used for the welding procedures indicated at the rating plate. Hazards may arise for persons, animals and material objects if the equipment is not used correctly. No liability is accepted for any damages arising from improper usage!

- The equipment must only be used in line with its designated purpose and by trained or expert personnel!
- Do not improperly modify or convert the equipment!

#### 3.1 Applications

Arc welding machine for standard and pulsed gas-shielded metal-arc welding with TIG welding and lift arc (touch starting) or MMA welding as secondary process. It may be possible to expand the functionality by using accessories (see the documentation in the relevant chapter).

#### 3.2 Documents which also apply

##### 3.2.1 Warranty

For more information refer to the "Warranty registration" brochure supplied and our information regarding warranty, maintenance and testing at [www.ewm-group.com](http://www.ewm-group.com)!

##### 3.2.2 Declaration of Conformity



This product corresponds in its design and construction to the EU directives listed in the declaration. The product comes with a relevant declaration of conformity in the original.

##### 3.2.3 Welding in environments with increased electrical hazards



In compliance with IEC / DIN EN 60974, VDE 0544 the machines can be used in environments with an increased electrical hazard.

##### 3.2.4 Service documents (spare parts and circuit diagrams)

#### WARNING



**Do not carry out any unauthorised repairs or modifications!**

**To avoid injury and equipment damage, the unit must only be repaired or modified by specialist, skilled persons!**

**The warranty becomes null and void in the event of unauthorised interference.**

- Appoint only skilled persons for repair work (trained service personnel)!

Original copies of the circuit diagrams are enclosed with the unit.

Spare parts can be obtained from the relevant authorised dealer.

##### 3.2.5 Calibration/Validation

We hereby confirm that this product was tested with calibrated measuring equipment according to the applicable standards IEC/EN 60974, ISO/EN 17662 and complies with the permissible tolerances. Recommended calibration interval: 12 months.



## 4 Machine description – quick overview

### 4.1 Front view / rear view

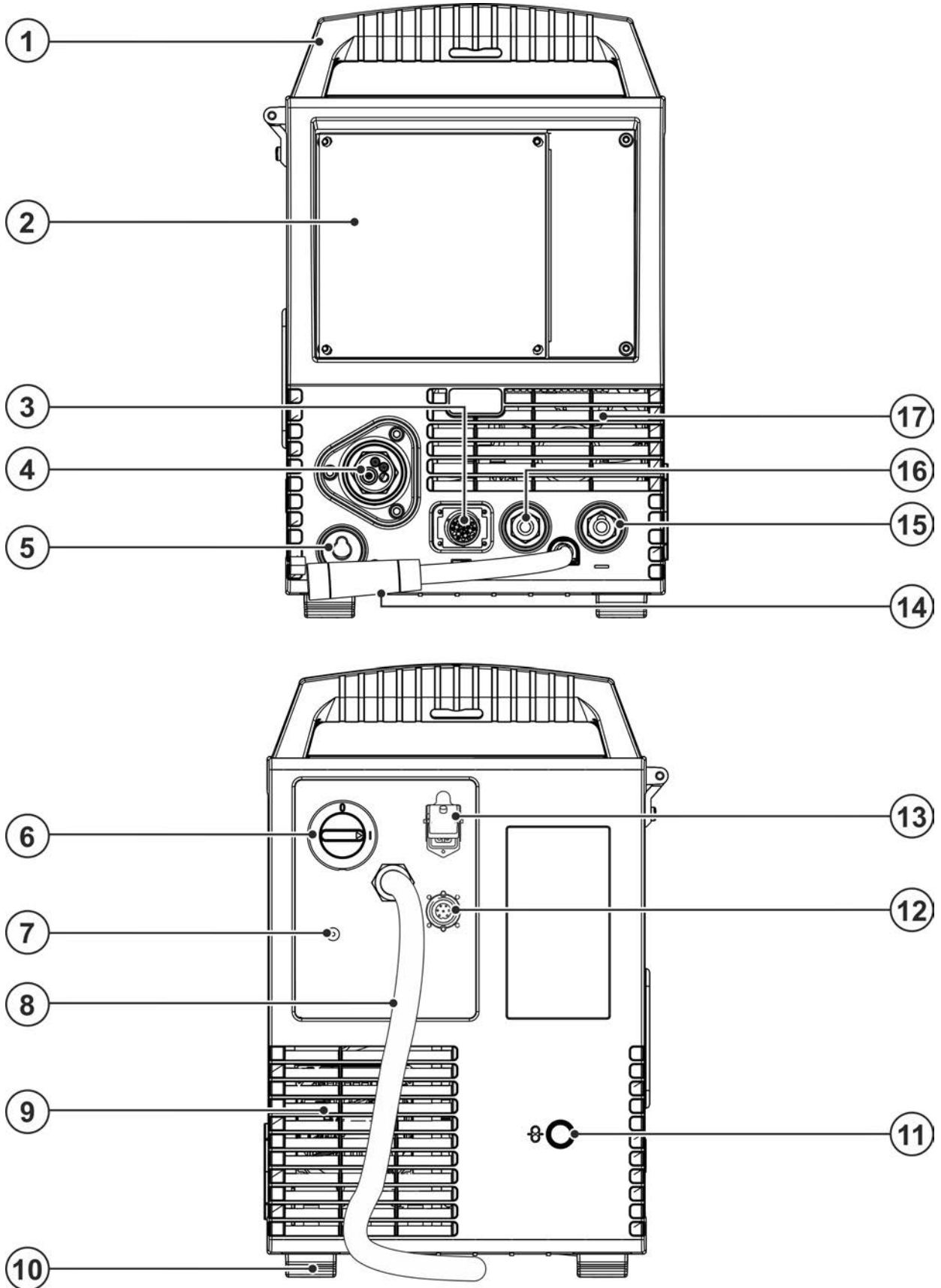











Figure 4-1



Item	Symbol	Description
1		<b>Carrying handle</b>
2		<b>Machine control &gt; see 4.3 chapter</b>
3		<b>19-pole connection socket (analogue)</b> For connecting analogue accessory components (remote control, welding torch control lead, etc.)
4		<b>Welding torch connection (Euro or Dinse torch connector)</b> Welding current, shielding gas and torch trigger integrated
5		<b>Park socket, polarity selection plug</b> Retainer for the polarity selection plug in MMA mode or for transport.
6		<b>Main Switch</b> Switching the machine on or off.
7		<b>Connection thread - G<math>\frac{1}{4}</math>"</b> Shielding gas connection (inlet)
8		<b>Mains connection cable &gt; see 5.1.7 chapter</b>
9		<b>Cooling air outlet</b>
10		<b>Machine feet</b>
11		<b>External wire feed inlet</b> Pre-cut casing inlet for external wire feed.
12		<b>8-pole connection socket</b> Cooling unit control lead
13		<b>4-pole connection socket</b> Cooling unit voltage supply
14		<b>Welding current cable, polarity selection</b> Welding current to Euro torch connector/torch, for polarity selection <ul style="list-style-type: none"> <li>•----- MIG/MAG: Connection socket for "+" welding current</li> <li>•----- Self-shielding flux cored wire/TIG: Connection socket, "-" welding current</li> <li>•----- MMA: Park socket</li> </ul>
15		<b>Connection socket, "-" welding current</b> How to connect the accessories depends on the welding procedure. Please observe the connection description for the corresponding welding procedure > see 5 chapter.
16		<b>Connection socket, "+" welding current</b> How to connect the accessories depends on the welding procedure. Please observe the connection description for the corresponding welding procedure > see 5 chapter.
17		<b>Cooling air inlet</b>

## 4.2 Inside view

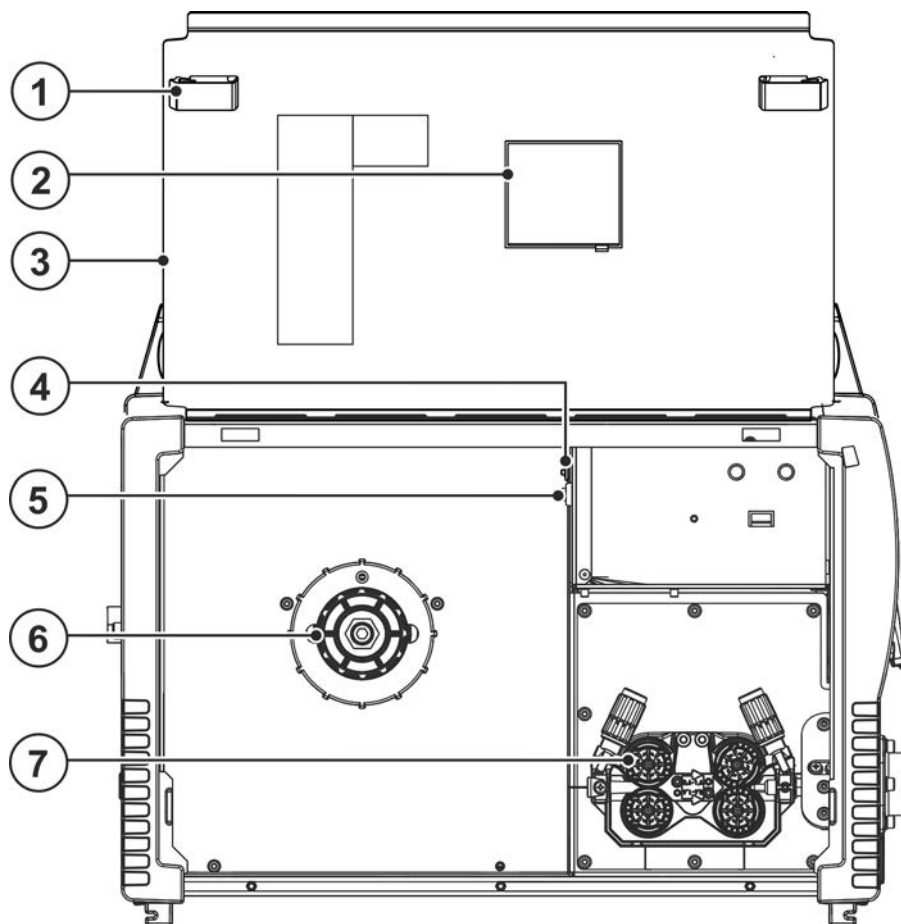
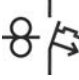



Figure 4-2

Item	Symbol	Description
1		<b>Slide latch, lock for the protective cap</b>
2		<b>Wire spool inspection window</b> Check wire supply
3		<b>Protective cap</b> Cover for the wire feed mechanism and other operating elements. Depending on the machine series, additional stickers with information on the replacement parts and JOB lists will be located on the inside.
4		<b>Key button, Automatic cutout</b> Wire feed motor supply voltage fuse (press to reset a triggered fuse)
5		<b>Push-button, wire inching</b> Potential- and gas-free inching of the wire electrode through the hose package to the welding torch > see 5.2.4.3 chapter.
6		<b>Wire spool holder</b>
7		<b>Wire feed unit</b>

## 4.3 Machine control – Operating elements

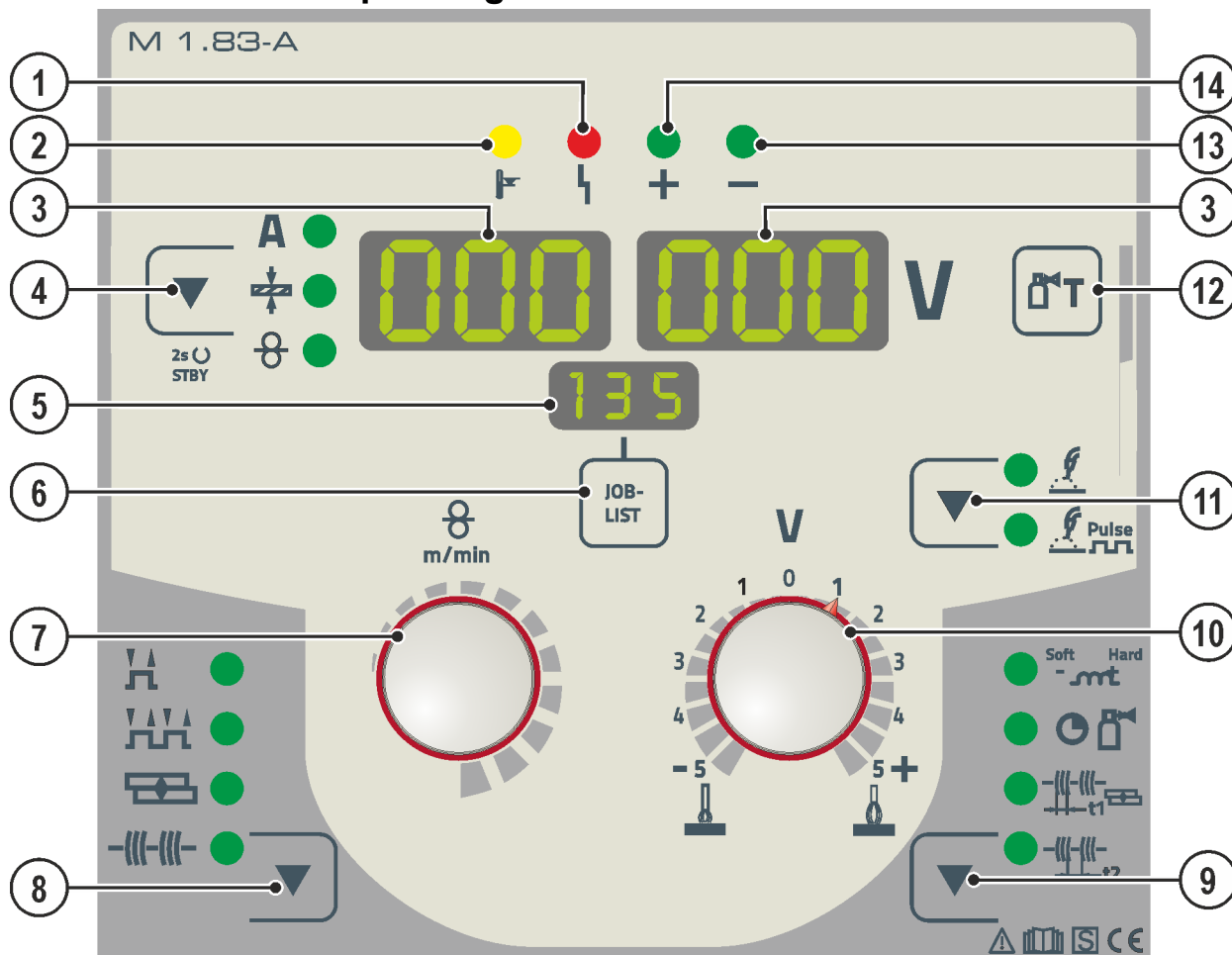




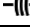

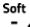

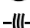
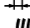



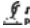





Figure 4-3

Item	Symbol	Description
1		“Collective interference” signal light
2		“Excess temperature” signal light
3		<b>Welding data display (3-digit)</b> Displays the welding parameters and the corresponding values > see 4.3.1 chapter
4		<b>Welding parameter display mode/power-saving mode push-button</b> A ----- Welding current + ----- Material thickness ⊗ ----- Wire feed speed Press for 2 s to put the machine into power-saving mode. Activate one of the operating elements to reactivate > see 5.8 chapter.
5		<b>Display, JOB</b> Shows the currently selected welding task (JOB number).
6	<b>JOB-LIST</b>	<b>Welding task push-button (JOB)</b> Select the welding task from the welding task list (JOB-LIST). The list can be found inside the protective cap on the wire feeder and in the appendix to these operating instructions.
7		<b>Welding parameter setting dial</b> For setting the welding performance, for selecting the JOB (welding task) and for setting other welding parameters.

Item	Symbol	Description
8		<b>Operating mode button</b>  ----- Non-latched  ----- Latched  ----- Spots  ----- Interval
9		<b>Runtime parameters button</b> For selecting the parameters to be set. Also for entering and exiting the menus for advanced settings.  --- Choke effect/dynamics  --- Gas post-flow time  --- Spot time  --- Pause time
10		<b>Arc length correction rotary dial</b>
11		<b>Welding type push-button</b>  ----- Standard arc welding  ----- Pulsed arc welding
12		<b>Push-button gas test / rinse hose package &gt; see 5.1.9 chapter</b>
13		<b>Signal light polarity setting</b>
14		<b>Signal light polarity setting</b>

## 4.3.1 Welding data display

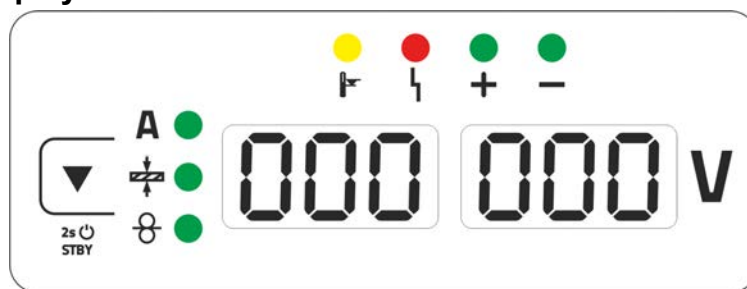


Figure 4-4

The push-button for the welding parameter display mode is next to the display.

Each time the push-button is pressed the display changes to the next parameter. After the last parameter is reached the display continues with the first parameter.

The display shows:

- Nominal values (before welding)
- Actual values (during welding)
- Hold values (after welding)

### MIG/MAG

Parameter	Nominal values	Actual values	Hold values
Welding current	<input checked="" type="checkbox"/> / <input type="checkbox"/> [1]	<input checked="" type="checkbox"/>	<input checked="" type="checkbox"/>
Material thickness	<input checked="" type="checkbox"/>	<input type="checkbox"/>	<input type="checkbox"/>
Wire feed speed	<input checked="" type="checkbox"/>	<input type="checkbox"/>	<input type="checkbox"/>
Welding voltage	<input checked="" type="checkbox"/>	<input checked="" type="checkbox"/>	<input checked="" type="checkbox"/>

[1] traditional MIG/MAG

### TIG/MMA

Parameter	Nominal values	Actual values	Hold values
Welding current	<input checked="" type="checkbox"/>	<input type="checkbox"/>	<input type="checkbox"/>
Welding voltage	<input type="checkbox"/>	<input checked="" type="checkbox"/>	<input checked="" type="checkbox"/>

After the welding, the display switches from hold values to nominal values by

- pressing the push-buttons or turning the rotary knobs of the control
- waiting for about 5 seconds

## 4.3.2 Polarity setting

The polarity setting displays the polarity required for the selected JOB on the machine control > see 4.3 chapter. The required polarity can then be set with the polarity selection plug.

## 5 Design and function

### ⚠ WARNING



**Risk of injury from electrical voltage!**

**Contact with live parts, e.g. power connections, can be fatal!**

- Observe the safety information on the first pages of the operating instructions!
- Commissioning must be carried out by persons who are specifically trained in handling power sources!
- Connect connection or power cables while the machine is switched off!

### ⚠ CAUTION



**Risk from electrical current!**

**If welding is carried out alternately using different methods and if a welding torch and an electrode holder remain connected to the machine, the open-circuit/welding voltage is applied simultaneously on all cables.**

- The torch and the electrode holder should therefore always be placed on an insulated surface before starting work and during breaks.

Read and observe the documentation to all system and accessory components!

## 5.1 Transport and installation

### ⚠ WARNING



**Risk of accident due to improper transport of machines that must not be lifted!**

**Do not lift or suspend the machine! The machine can drop and cause injuries! The handles, straps or brackets are suitable for transport by hand only!**

- The machine must not be suspended or lifted using a crane.

### 5.1.1 Ambient conditions



**The machine must not be operated in the open air and must only be set up and operated on a suitable, stable and level base!**

- The operator must ensure that the ground is non-slip and level, and provide sufficient lighting for the place of work.
- Safe operation of the machine must be guaranteed at all times.



**Equipment damage due to contamination!**

**Unusually high amounts of dust, acids, corrosive gases or substances can damage the machine (observe maintenance intervals > see 6.2 chapter).**

- Avoid large amounts of smoke, steam, oily fumes, grinding dust and corrosive ambient air!

#### 5.1.1.1 In operation

**Temperature range of the ambient air:**

- -25 °C to +40 °C (-13 °F to 104 °F) <sup>[1]</sup>

**Relative humidity:**

- up to 50 % at 40 °C (104 °F)
- up to 90 % at 20 °C (68 °F)

#### 5.1.1.2 Transport and storage

**Storage in a closed room, temperature range of the ambient air:**

- -30 °C to +70 °C (-22 °F to 158 °F) <sup>[1]</sup>

**Relative humidity**

- up to 90 % at 20 °C (68 °F)

<sup>[1]</sup> Ambient temperature dependent on coolant! Observe the coolant temperature range of the torch cooling

## 5.1.2 Machine cooling



*Insufficient ventilation results in a reduction in performance and equipment damage.*

- *Observe the ambient conditions!*
- *Keep the cooling air inlet and outlet clear!*
- *Observe the minimum distance of 0.5 m from obstacles!*

## 5.1.3 Workpiece lead, general

### ⚠ CAUTION



**Risk of burning due to incorrect welding current connection!**

**If the welding current plugs (machine connections) are not locked or if the workpiece connection is contaminated (paint, corrosion), these connections and leads can heat up and cause burns when touched!**

- Check welding current connections on a daily basis and lock by turning to the right when necessary.
- Clean workpiece connection thoroughly and secure properly. Do not use structural parts of the workpiece as welding current return lead!

## 5.1.4 Welding torch cooling system

### 5.1.4.1 Cooling unit connection

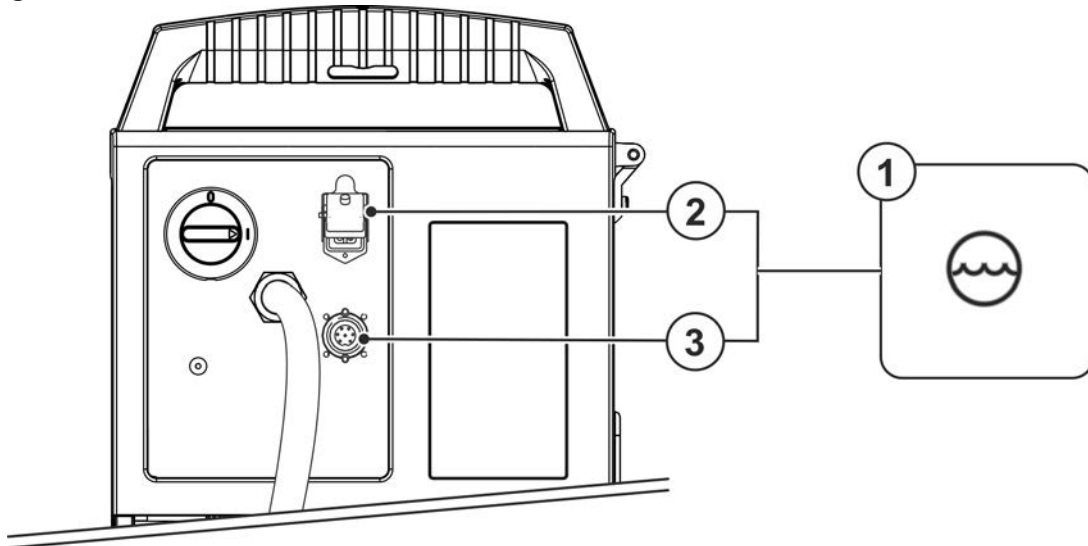


Figure 5-1

Item	Symbol	Description
1		Cooling module
2		4-pole connection socket Cooling unit voltage supply
3		8-pole connection socket Cooling unit control lead

- Insert and lock the 4-pole supply plug on the cooling unit into the 4-pole connection socket on the welding machine.
- Insert and lock the 8-pole control lead plug on the cooling unit into the 8-pole connection socket on the welding machine.



## 5.1.5 Notes on the installation of welding current leads

- Incorrectly installed welding current leads can cause faults in the arc (flickering).
- Lay the workpiece lead and hose package of power sources without HF igniter (MIG/MAG) for as long and as close as possible in parallel.
- Lay the workpiece lead and hose package of power sources with HF igniter (TIG) for as long as possible in parallel with a distance of 20 cm to avoid HF sparkover.
- Always keep a distance of at least 20 cm to leads of other power sources to avoid interferences
- Always keep leads as short as possible! For optimum welding results max. 30 m (welding lead + intermediate hose package + torch lead).

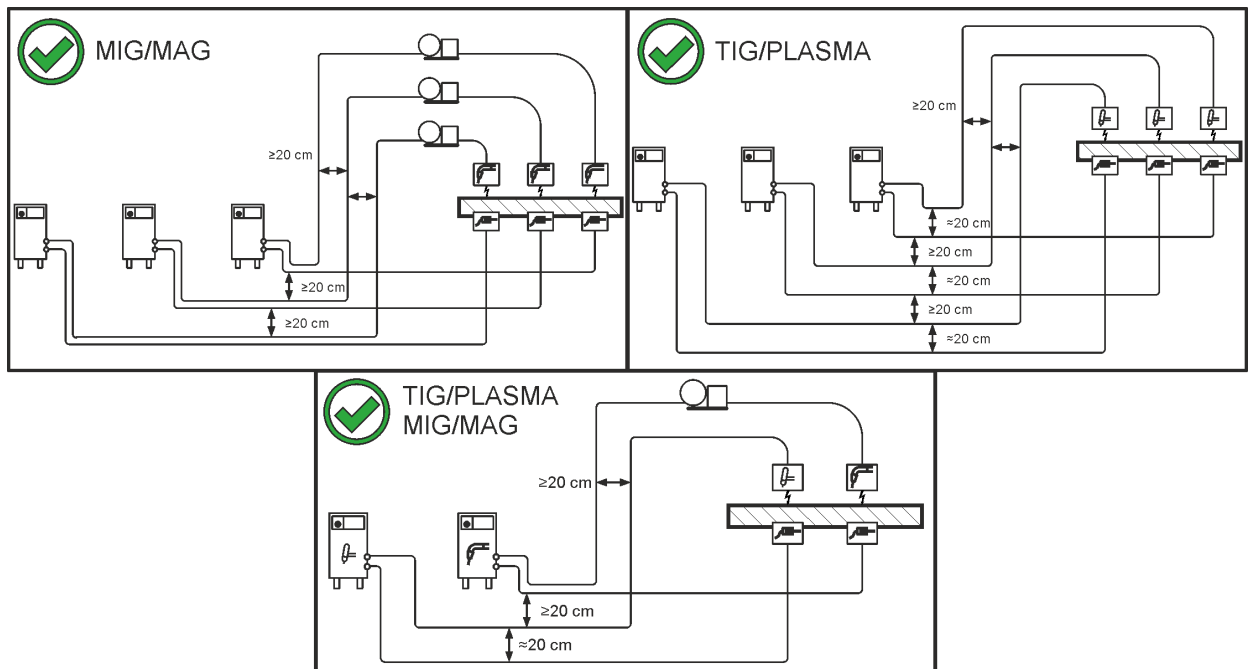


Figure 5-2

- Use an individual welding lead to the workpiece for each welding machine!

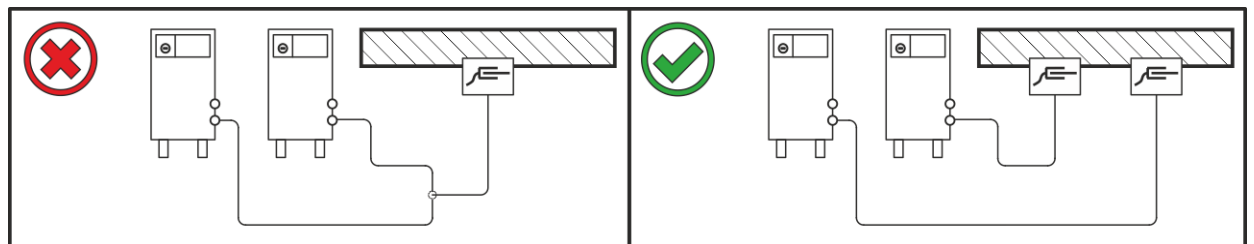


Figure 5-3

- Fully unroll welding current leads, torch hose packages and intermediate hose packages. Avoid loops!
- Always keep leads as short as possible!

Lay any excess cable lengths in meanders.

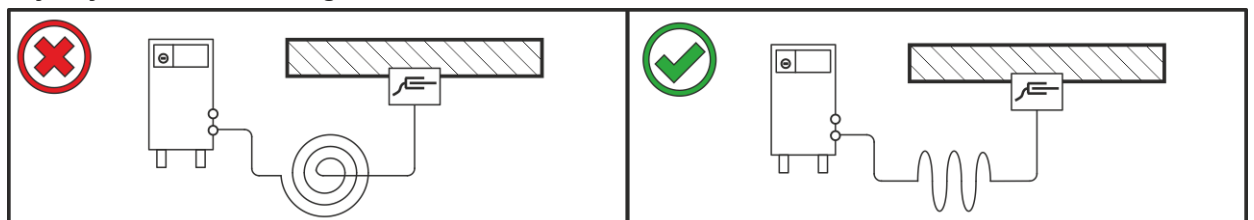


Figure 5-4

## 5.1.6 Stray welding currents

### WARNING



#### Risk of injury due to stray welding currents!

Stray welding currents can destroy protective earth conductors, damage machines and electronic devices and cause overheating of components, leading to fire.

- Check that all welding current connections are firmly secured and electrical connections are in perfect condition.
- Set up, attach or suspend all conductive power source components such as casing, transport vehicles and crane frames so they are insulated.
- Do not place any other electronic devices such as drills or angle grinders on the power source, transport vehicle or crane frames unless they are insulated.
- Always put welding torches and electrode holders on an insulated surface when they are not in use.

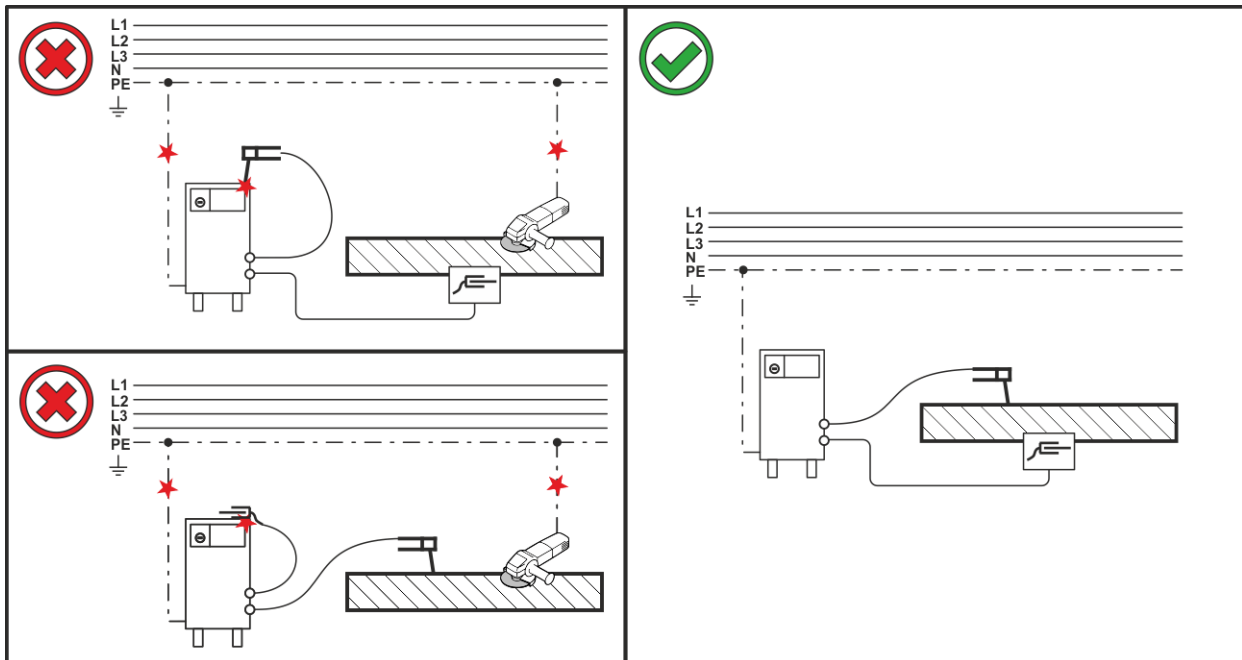


Figure 5-5

## 5.1.7 Mains connection

### DANGER



#### Hazards caused by improper mains connection!

#### An improper mains connection can cause injuries or damage property!

- The connection (mains plug or cable), the repair or voltage adjustment of the device must be carried out by a qualified electrician in accordance with the respective local laws or national regulations!
- The mains voltage indicated on the rating plate must match the supply voltage.
- Only operate machine using a socket that has correctly fitted protective earth.
- Mains plug, socket and lead must be checked by a qualified electrician on a regular basis!
- When operating the generator, always ensure it is earthed as stipulated in the operating instructions. The network created must be suitable for operating machines according to protection class I.

### 5.1.7.1 Mains configuration

The machine may be connected to:

- a three-phase system with four conductors and an earthed neutral conductor
- a three-phase system with three conductors of which any one can be earthed, e.g. the outer conductor

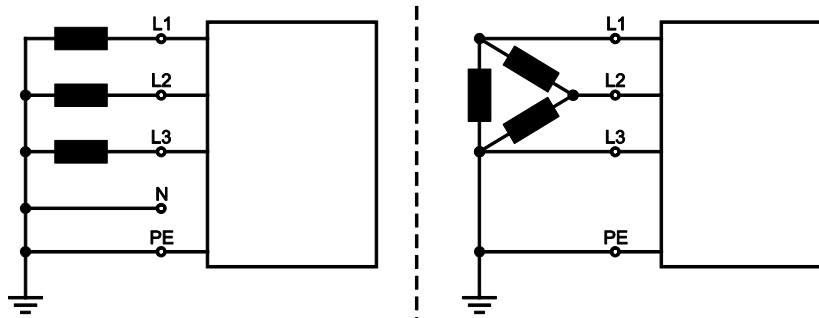


Figure 5-6

#### Legend

Item	Designation	Colour code
L1	Outer conductor 1	brown
L2	Outer conductor 2	black
L3	Outer conductor 3	grey
N	Neutral conductor	blue
PE	Protective conductor	green-yellow

- Insert mains plug of the switched-off machine into the appropriate socket.

## 5.1.8 Welding torch holder

The item described in the following is part of the machine's scope of delivery.

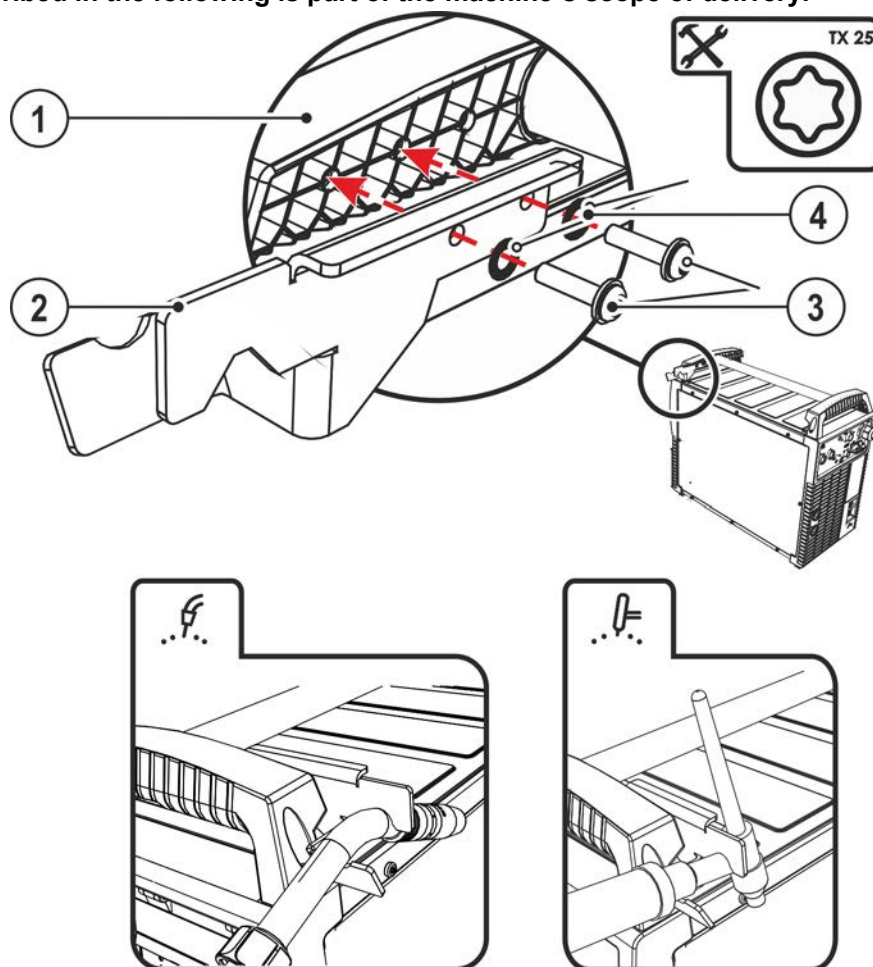



Figure 5-7

Item	Symbol	Description
1		Crossmember of the transport handle
2		Torch holder
3		Fixing screws (x 4)
4		Fan-type lock washers

- Use the mounting screws to screw the torch holder onto the crossmember of the transport handle.
- Insert the welding torch into the welding torch holder as shown.

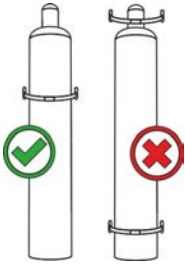
## 5.1.9 Shielding gas supply (shielding gas cylinder for welding machine)

**⚠ WARNING**



**Risk of injury due to improper handling of shielding gas cylinders! Improper handling and insufficient securing of shielding gas cylinders can cause serious injuries!**

- Place shielding gas cylinder into the designated holder and secure with fastening elements (chain/belt)!
- Attach the fastening elements within the upper half of the shielding gas cylinder!
- The fastening elements must tightly enclose the shielding gas cylinder!





**An unhindered shielding gas supply from the shielding gas cylinder to the welding torch is a fundamental requirement for optimum welding results. In addition, a blocked shielding gas supply may result in the welding torch being destroyed.**

- **Always re-fit the yellow protective cap when not using the shielding gas connection.**
- **All shielding gas connections must be gas tight.**

### 5.1.9.1 Pressure regulator connection

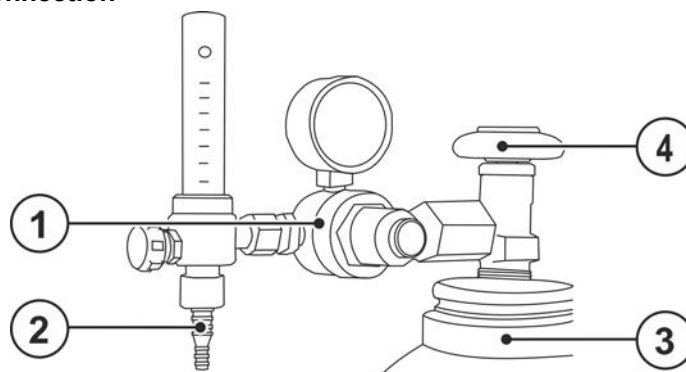


Figure 5-8

Item	Symbol	Description
1		Pressure regulator
2		Output side of the pressure regulator
3		Shielding gas cylinder
4		Cylinder valve

- Before connecting the pressure regulator to the gas cylinder, open the cylinder valve briefly to blow out any dirt.
- Tighten the pressure regulator screw connection on the gas bottle valve to be gas-tight.
- Screw the gas hose connection to the outlet side of the pressure regulator gas-tight.

## 5.1.9.2 Shielding gas hose connection

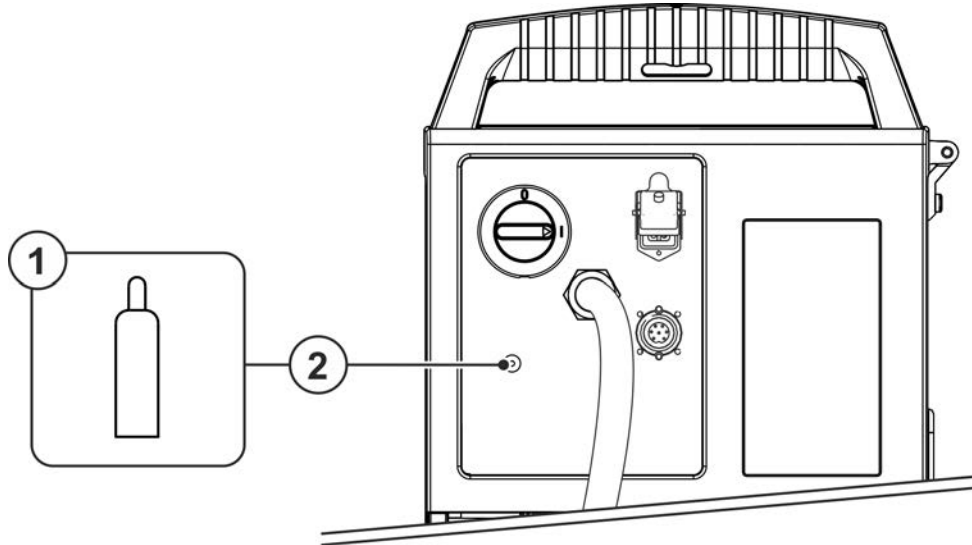


Figure 5-9

Item	Symbol	Description
1		Shielding gas cylinder / pressure regulator
2		Connection thread - G $\frac{1}{4}$ " Shielding gas connection (inlet)

- Screw the gas hose connection to the shielding gas connection (inlet) on the machine gas-tight.

## 5.1.10 Shielding gas volume settings

If the shielding gas setting is too low or too high, this can introduce air to the weld pool and may cause pores to form. Adjust the shielding gas quantity to suit the welding task!

- Slowly open the gas cylinder valve.
- Open the pressure regulator.
- Switch on the power source at the main switch.
- Trigger gas test > see 5.1.10.1 chapter function (welding voltage and wire feed motor remain switched off – no accidental arc ignition).
- Set the relevant gas quantity for the application on the pressure regulator.

### Setting instructions

Welding process	Recommended shielding gas quantity
MAG welding	Wire diameter x 11.5 = l/min
MIG brazing	Wire diameter x 11.5 = l/min
MIG welding (aluminium)	Wire diameter x 13.5 = l/min (100 % argon)
TIG	Gas nozzle diameter in mm corresponds to l/min gas throughput

### Helium-rich gas mixtures require a higher gas volume!

The table below can be used to correct the gas volume calculated where necessary:

Shielding gas	Factor
75% Ar/25% He	1.14
50% Ar/50% He	1.35
25% Ar/75% He	1.75
100% He	3.16

## 5.1.10.1 Gas test

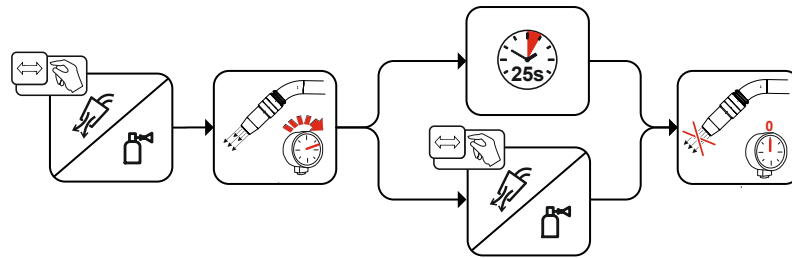


Figure 5-10

## 5.1.10.2 Purge hose package

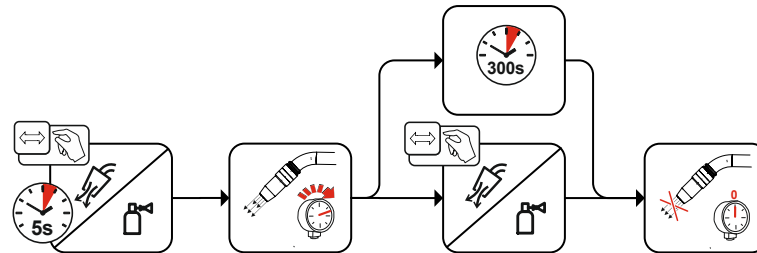


Figure 5-11

## 5.2 MIG/MAG welding

## 5.2.1 Welding torch and workpiece line connection

On delivery, the Euro torch connector is fitted with a capillary tube for welding torches with a steel liner. Conversion is necessary if a welding torch with a liner is used!

- Operate welding torches with a liner > with a guide tube.
- Operate welding torches with a steel liner > with a capillary tube.

**For connection, observe the operating instructions for the welding torch.**

**Depending on the wire electrode diameter or type, either a steel liner or liner with the correct inner diameter must be inserted in the torch!**

Recommendation:

- Use a steel liner when welding hard, unalloyed wire electrodes (steel).
- Use a chrome nickel liner when welding hard, high-alloy wire electrodes (CrNi).
- Use a plastic or teflon liner when welding or brazing soft wire electrodes, high-alloy wire electrodes or aluminium materials.

**Preparation for connecting welding torches with a spiral guide:**

- Check that the capillary tube is correctly positioned in relation to the central connector!

**Preparation for connecting welding torches with a liner:**

- Push forward the capillary tube on the wire feed side in the direction of the Euro torch connector and remove it there.
- Insert the liner guide tube from the Euro torch connector side.
- Carefully insert the welding torch connector with as yet too long a liner into the Euro torch connector and secure with a crown nut.
- Cut off the liner with a liner cutter > see 9 chapter just before the wire feed roller.
- Loosen the welding torch connector and remove.
- Carefully chamfer the cut off end of the liner with a liner sharpener > see 9 chapter and sharpen.

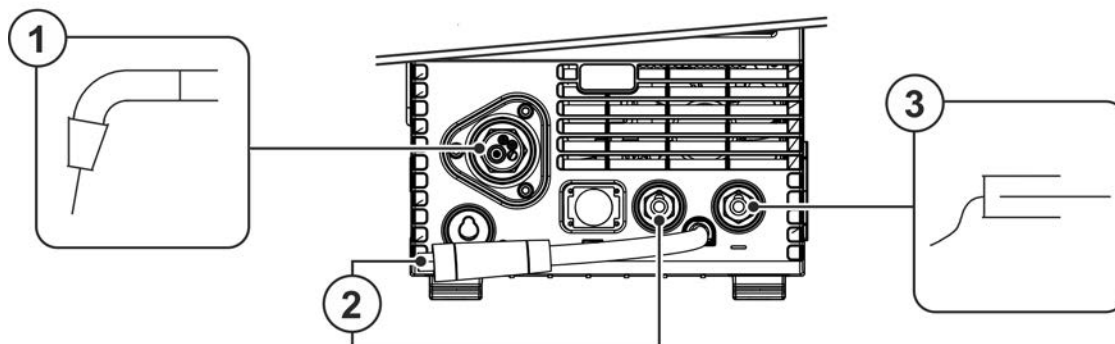


Figure 5-12

Item	Symbol	Description
1		<b>Welding torch</b>
2		<b>Polarity selector plug, welding current cable</b> Internal welding current cable for central connection/welding torch. • ----- Connection socket for "+" welding current
3		<b>Workpiece</b>

- Insert the polarity selection plug into the "+" welding current connection socket and lock in place by turning to the right.
- Insert the central plug for the welding torch into the central connector and screw together with crown nut.
- Insert cable plug on the workpiece lead into the "-" welding current socket and lock by turning to the right.

**Some wire electrodes (e.g. self-shielding cored wire) are welded using negative polarity. In this case, the welding current lead should be connected to the "-" welding current socket, and the workpiece lead should be connected to the "+" welding current socket. Observe the information from the electrode manufacturer!**



## 5.2.2 MIG/MAG function torch

The torch trigger on the MIG welding torch is generally used to start and finish the welding process. Function torches feature additional operating elements to set the wire feed speed and voltage correction. Welding torches with one rotary knob, one rocker or one pair of buttons only must be configured on the machine control appropriately. For this purpose, set the FRC special parameter to the corresponding accessory component > see 5.6 chapter.

## 5.2.3 MIG/MAG Push/Pull welding torch

Pin assignment

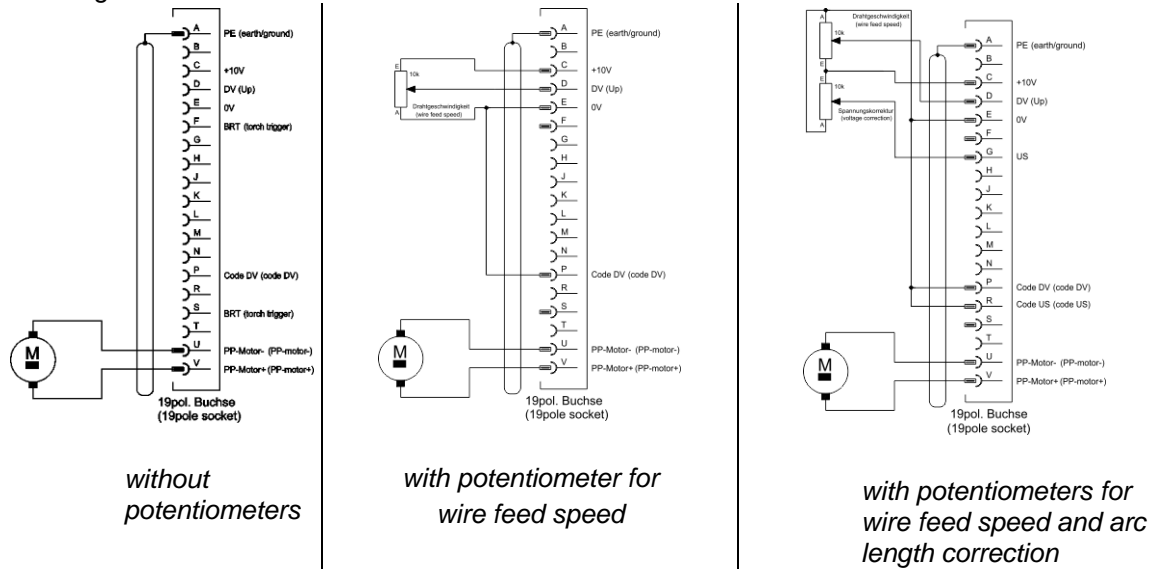


Figure 5-13

## 5.2.4 Wire feed

### ⚠ CAUTION



#### Risk of injury due to moving parts!

The wire feeders are equipped with moving parts, which can trap hands, hair, clothing or tools and thus injure persons!

- Do not reach into rotating or moving parts or drive components!
- Keep casing covers or protective caps closed during operation!



#### Risk of injury due to welding wire escaping in an unpredictable manner!

Welding wire can be conveyed at very high speeds and, if conveyed incorrectly, may escape in an uncontrolled manner and injure persons!

- Before mains connection, set up the complete wire guide system from the wire spool to the welding torch!
- Check wire guide at regular intervals!
- Keep all casing covers or protective caps closed during operation!

## 5.2.4.1 Inserting the wire spool

### ⚠ CAUTION



**Risk of injury due to incorrectly secured wire spool.**

If the wire spool is not secured properly, it may come loose from the wire spool support and fall to the ground, causing damage to the machine and injuries.

- Make sure to correctly fasten the wire spool to the wire spool support.
- Before you start working, always check the wire spool is securely fastened.

Standard D300 wire spool holder can be used. Adapters are required when using standardised basket coils (DIN 8559) > see 9 chapter.

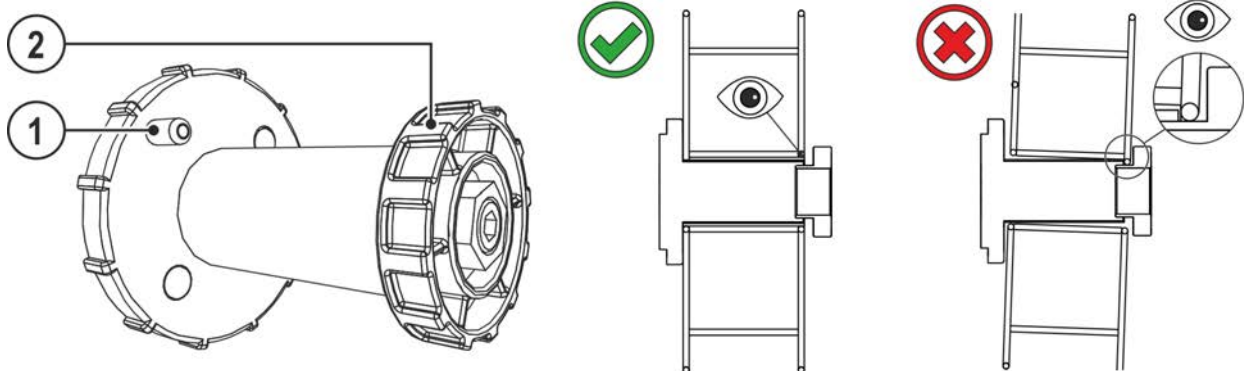


Figure 5-14

Item	Symbol	Description
1		<b>Carrier pin</b> For fixing the wire spool
2		<b>Knurled nut</b> For fixing the wire spool

- Unlock and open protective flap.
- Loosen knurled nut from spool holder.
- Fix welding wire reel onto the spool holder so that the carrier pin locks into the spool bore.
- Fasten wire spool using knurled nut.

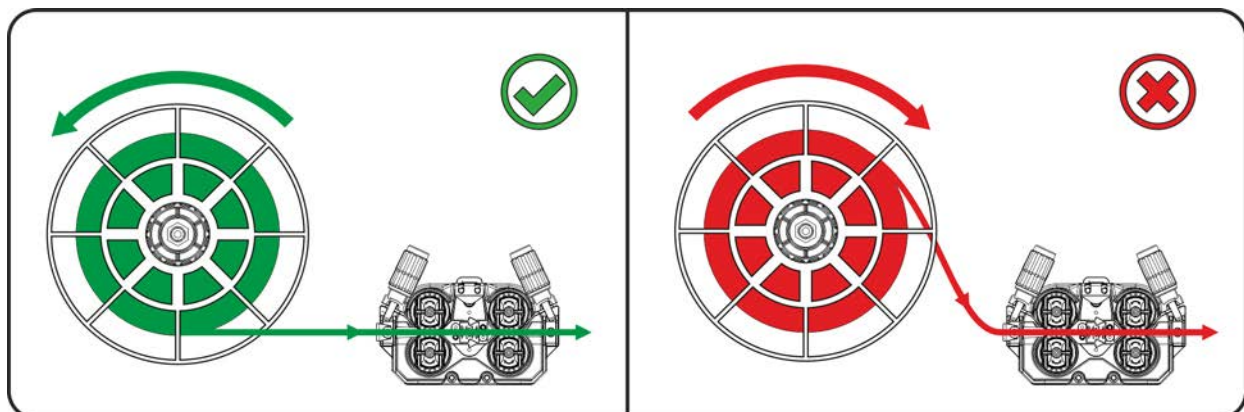


Figure 5-15

**Abspulrichtung der Schweißdrahtspule beachten.**

## 5.2.4.2 Changing the wire feed rollers

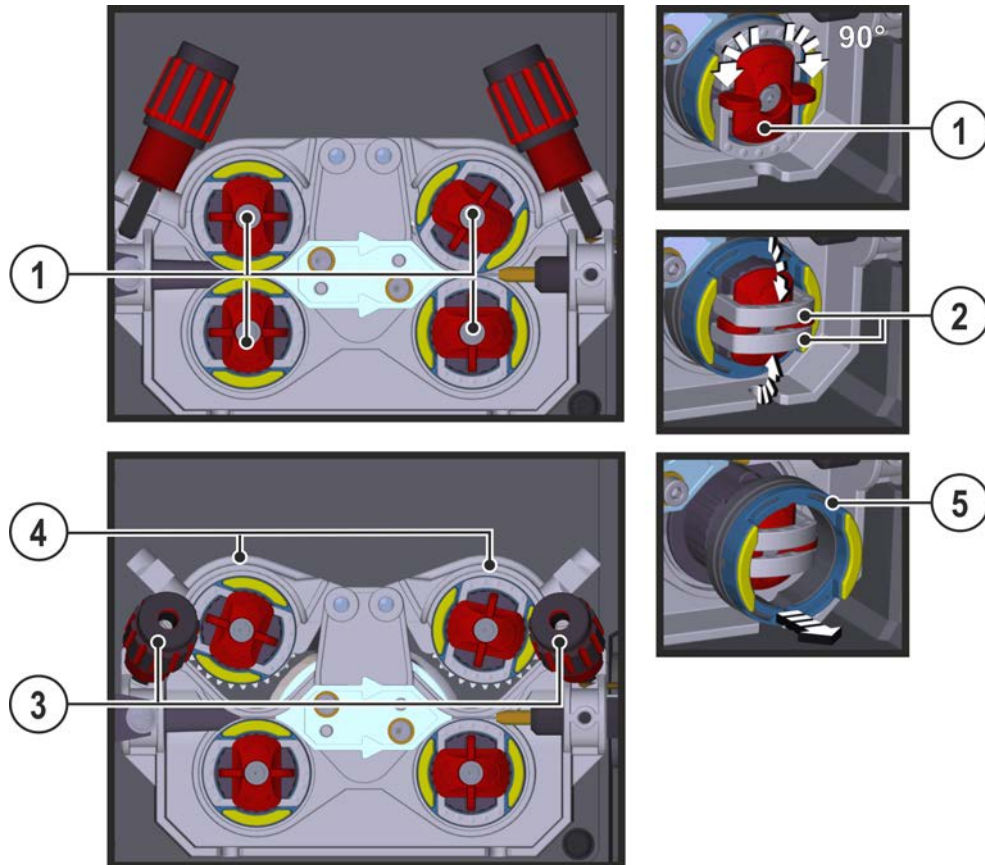


Figure 5-16

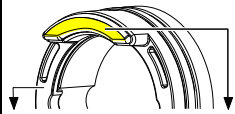
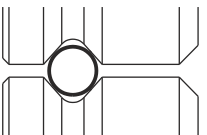
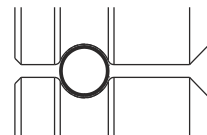
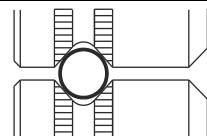
Item	Symbol	Description
1		<b>Tommy</b> The tommy is used to secure the closure brackets of the wire feed rollers.
2		<b>Closure bracket</b> The closure brackets are used to secure the wire feed rollers.
3		<b>Feed roll tensioner</b> Fixing the clamping unit and setting the pressure.
4		<b>Clamping unit</b>
5		<b>Wire feed roller</b> see the Wire feed roller overview table

- Rotate the tommy by 90° clockwise or anti-clockwise (tommy locks into place).
- Fold the closure brackets outwards by 90°.
- Unfasten pressure units and fold out (clamping units and pressure rollers will automatically flip upwards).
- Remove the wire feed rollers from the roller support.
- Select new wire feed rollers according to the Wire feed roller overview table and reassemble the wire feed mechanism in reverse order.

## Unsatisfactory welding results due to faulty wire feeding!

The wire feed rolls must be suitable for the diameter of the wire and the material. The wire feed rolls are colour-coded to facilitate distinction (see the Wire feed roll overview table). When working with a wire diameter of > 1.6 mm the drive has to be converted for the wire feed kit ON WF 2,0-3,2MM EFEED > see 10 chapter.

Wire feed roll overview table:

Material	Diameter		Colour code			Groove form
	Ø mm	Ø inch				
Steel	0.6	.024	monochrome	light pink	-	 V-groove
Stainless steel	0.8	.031		white		
Brazing	0.8	.031	bicolour	white	blue	
	0.9	.035				
	1.0	.039				
	1.0	.039		blue	red	
	1.2	.047				
	1.4	.055	monochrome	green	-	
	1.6	.063		black		
	2.0	.079		grey		
	2.4	.094		brown		
	2.8	.110		light green		
	3.2	.126		purple		
Aluminium	0.8	.031	bicolour	white	yellow	 U-groove
	0.9	.035		blue		
	1.0	.039				
	1.2	.047		red		
	1.6	.063		black		
	2.0	.079		grey		
	2.4	.094		brown		
	2.8	.110		light green		
	3.2	.126		purple		
Flux cored wire	0.8	.031	bicolour	white	orange	 V-groove, knurled
	0.9	.035		blue		
	1.0	.039				
	1.2	.047		red		
	1.4	.055		green		
	1.6	.063		black		
	2.0	.079		grey		
	2.4	.094		brown		

## 5.2.4.3 Inching the wire electrode

**⚠ CAUTION**

**Risk of injury due to welding wire escaping from the welding torch!**

**The welding wire can escape from the welding torch at high speed and cause bodily injury including injuries to the face and eyes!**

- Never direct the welding torch towards your own body or towards other persons!



**Incorrect contact pressure will cause extensive wear of the wire feed rollers!**

- **With the adjusting nuts of the pressure units set the contact pressure so that the wire electrode is conveyed but will still slip through if the wire spool jams.**
- **Set the contact pressure of the front rollers (in wire feed direction) to a higher value!**

The inching speed is infinitely adjustable by simultaneously pressing the wire inching push-button and turning the wire speed rotary knob. The left display shows the wire feed speed selected, the right display shows the current motor current of the wire feed mechanism. Depending on the design of the device, the wire feed mechanism may be reversed!

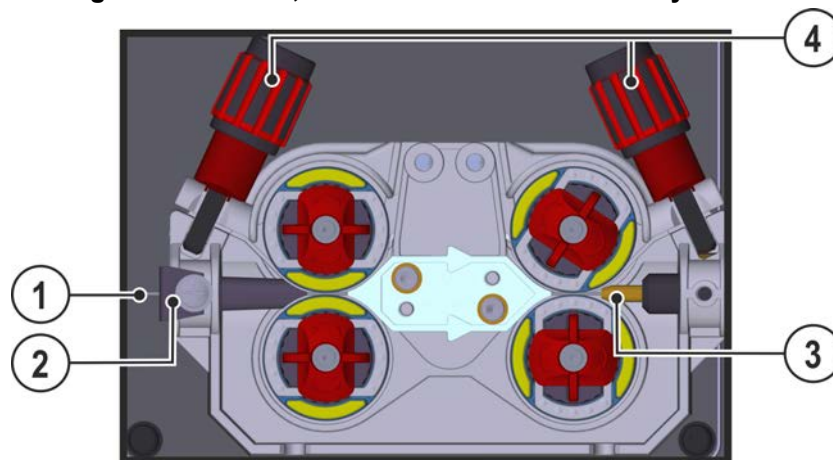


Figure 5-17

Item	Symbol	Description
1		Welding wire
2		Wire feed nipple
3		Guide tube
4		Adjusting nut

- Extend and lay out the torch hose package.
- Carefully unwind the welding wire from the wire spool and insert through the wire feed nipples up to the wire feed rollers.
- Press the inching push-button (the drive catches the welding wire and automatically guides it to the welding torch outlet) > see 4.3 chapter.

**A prerequisite for the automatic inching process is the correct preparation of the wire guide, especially in the capillary and wire guide tube area > see 5.4.2 chapter.**

- The contact pressure has to be adjusted separately for each side (wire inlet/outlet) at the feed roll tensioner setting nuts depending on the welding consumable used. A table with the setting values can be found on a sticker near the wire drive.

**Version 1: left hand mounting**

**Version 2: right hand mounting**

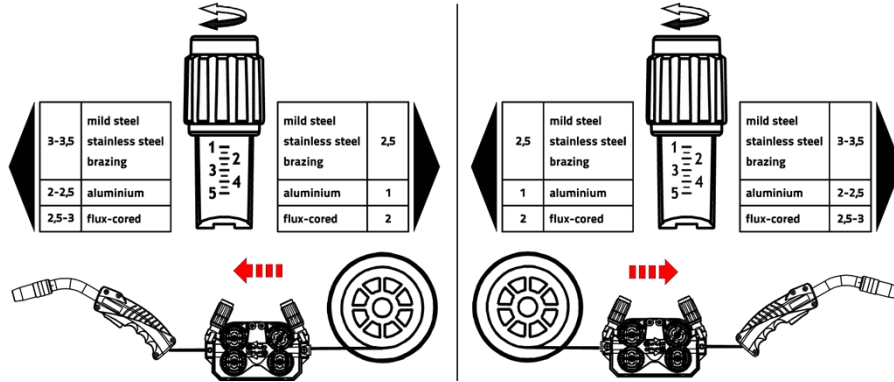


Figure 5-18

**Automatic inching stop**

Touch the welding torch against the workpiece during inching. Inching of the welding wire will stop as soon it touches the workpiece.

**5.2.4.4 Spool brake setting**

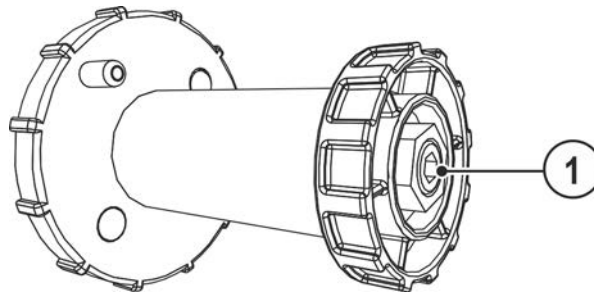


Figure 5-19

Item	Symbol	Description
1		<b>Allen screw</b> Securing the wire spool retainer and adjustment of the spool brake

- Tighten the Allen screw (8 mm) in the clockwise direction to increase the braking effect.

**Tighten the spool brake until the wire spool no longer turns when the wire feed motor stops but without it jamming during operation!**

**5.2.5 Definition of MIG/MAG welding tasks**

This machine range features simple operation with a very wide range of functions.

- JOBs (welding tasks consisting of welding process, type of material, wire diameter and type of shielding gas) are pre-defined for all common welding tasks.
- Simple JOB selection from a list of pre-defined JOBs (sticker on the machine).
- The required process parameters are calculated by the system depending on the operating point specified (single-dial operation via wire speed rotary dial).
- Conventional welding task definition using wire speed and welding voltage is also possible.

**The welding task definition described below applies when defining MIG/MAG and cored wire welding tasks.**

**Pay attention to the signal light for the polarity setting!**

**It may be necessary to change the welding current polarity depending on the JOB selected or the welding process.**

- Reconnect the polarity selection plug if necessary.



## 5.2.6 Welding task selection

The settings for the respective welding parameters are defined by the different JOBS. The right JOB can be determined quickly with the JOB list > see 11.1 chapter.

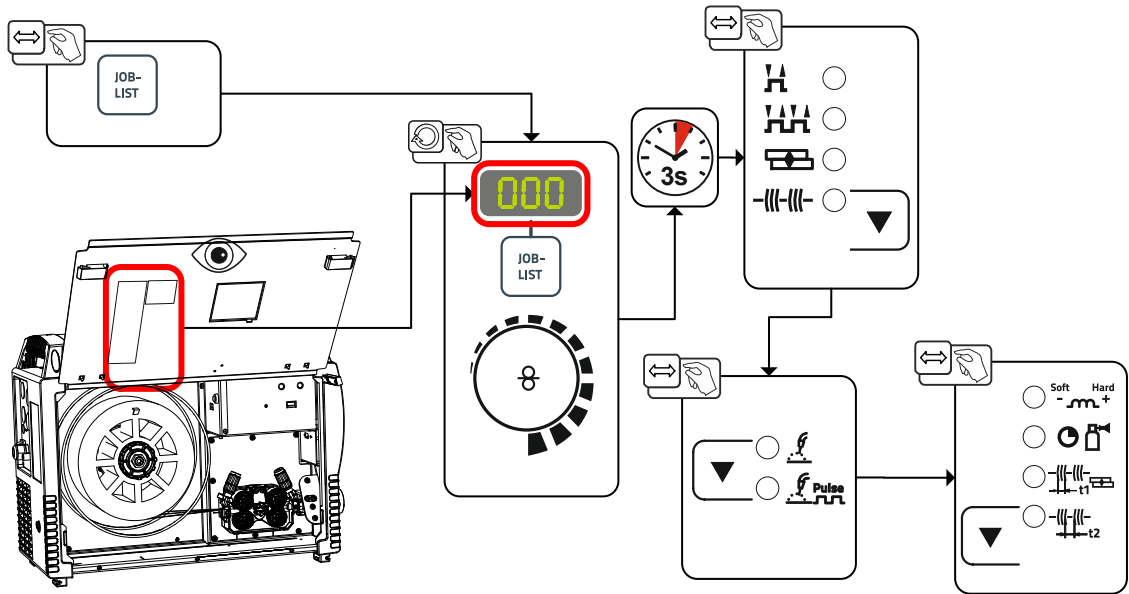


Figure 5-20

### Validity of the settings.

Spot time, pause time and wire feed speed settings apply to all JOBS. Throttling effect/dynamics, gas post-flow time, gas pre-flow time and wire burn-back correction are stored for each JOB individually.

Changes are stored permanently in the JOB that is currently selected.

If required, these parameter values can be reset to the factory settings > see 5.6.3 chapter.

## 5.2.7 Welding power (operating point)

### 5.2.7.1 Selecting the welding parameter display mode

The operating point (welding power) can be displayed or set as the welding current, material thickness or wire speed.

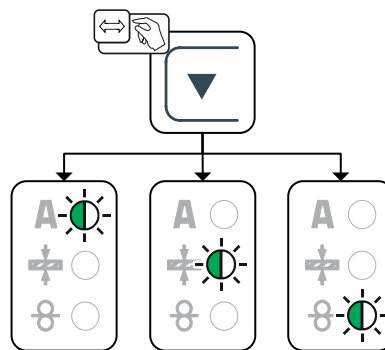


Figure 5-21

## 5.2.7.2 Operating point setting using material thickness

### Automatic display mode switching:

If the wire speed or the voltage is changed, the display will switch briefly to show the respective parameter. This means that you don't have to change the display mode before setting the parameter.

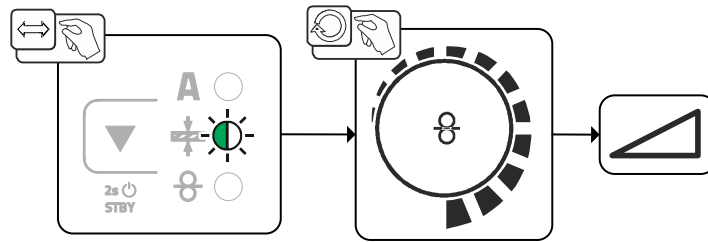


Figure 5-22

## 5.2.7.3 Arc length

Setting range: -5 V to +5 V

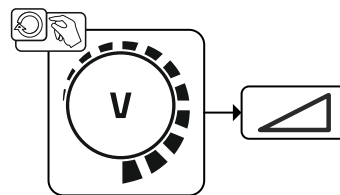


Figure 5-23

The basic settings are now completed. Other welding parameters have already been set optimally in the factory; they can, however, be modified to suit individual requirements.

## 5.2.8 forceArc / forceArc puls

Heat-reduced, directionally-stable and powerful arc with deep fusion penetration for the upper power range.

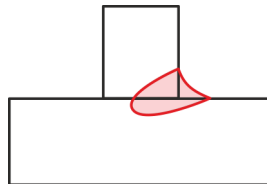


Figure 5-24

- Smaller included angle due to deep penetration and directionally stable arc
- Excellent root and sidewall fusion
- Secure welding also with very long stick-outs
- Reduced undercuts
- Manual and automated applications

You can make use of these properties after selecting the forceArc process > see 5.2.6 chapter.

### As with pulse arc welding, it is important to make sure of a good welding current connection.

- Keep welding current cables as short as possible and ensure that cable cross-sections are adequate!
- Fully unroll welding current cables, torch hose packages and, if applicable, intermediate hose packages. Avoid loops!
- Use welding torches, preferably water-cooled, that are suitable for the higher power range.
- Use welding wire with adequate copper coating when welding steel. The wire spool should have layer spooling.

### Unstable arc!

Welding current cables that are not fully unrolled can cause faults in the arc (flickering).

- Fully unroll welding current cables, torch hose packages and, if applicable, intermediate hose packages. Avoid loops!



## 5.2.9 rootArc/rootArc puls

Short arc with perfect weld modelling capabilities for effortless gap bridging, especially for root welding



Figure 5-25

- Reduced spatter compared to standard short arc
- Good root formation and secure sidewall fusion
- Manual and automated applications

**Unstable arc!**

**Welding current cables that are not fully unrolled can cause faults in the arc (flickering).**

- **Fully unroll welding current cables, torch hose packages and, if applicable, intermediate hose packages. Avoid loops!**

## 5.2.10 Operating modes (functional sequences)

### 5.2.10.1 Explanation of signs and functions

Symbol	Meaning
	Press torch trigger
	Release torch trigger
	Shielding gas flowing
	Welding output
	Wire electrode is being conveyed
	Wire creep
	Wire burn-back
	Gas pre-flows
	Gas post-flows
	Non-latched
	Latched
<b>t</b>	Time
<b>t<sub>1</sub></b>	Spot time
<b>t<sub>2</sub></b>	Pause time

### 5.2.10.2 Automatic cut-out

Once the fault periods have elapsed, the automatic cut-out stops the welding process when it has been triggered by one of two states:

- During ignition  
5 s after the start of the welding process, no welding current flows (ignition error).
- During welding  
The arc is interrupted for more than 5 s (arc interruption).

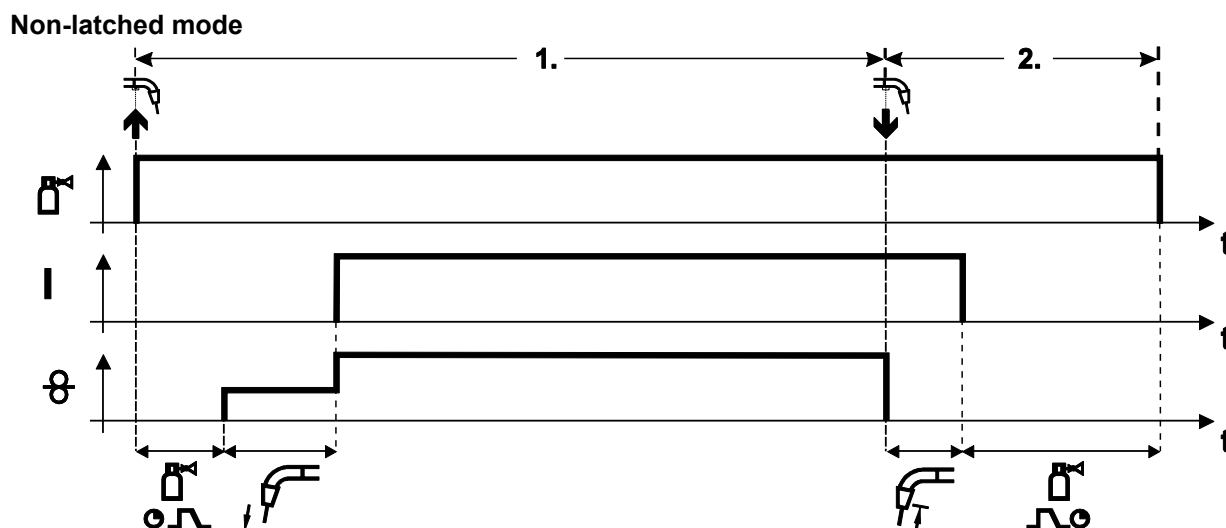


Figure 5-26

### Step 1

- Press and hold torch trigger.
- Shielding gas is expelled (gas pre-flows).
- Wire feed motor runs at “creep speed”.
- Arc ignites after the wire electrode makes contact with the workpiece; welding current flows.
- Change over to pre-selected wire speed.

### Step 2

- Release torch trigger.
- WF motor stops.
- Arc is extinguished after the preselected wire burn-back time expires.
- Gas post-flow time elapses.

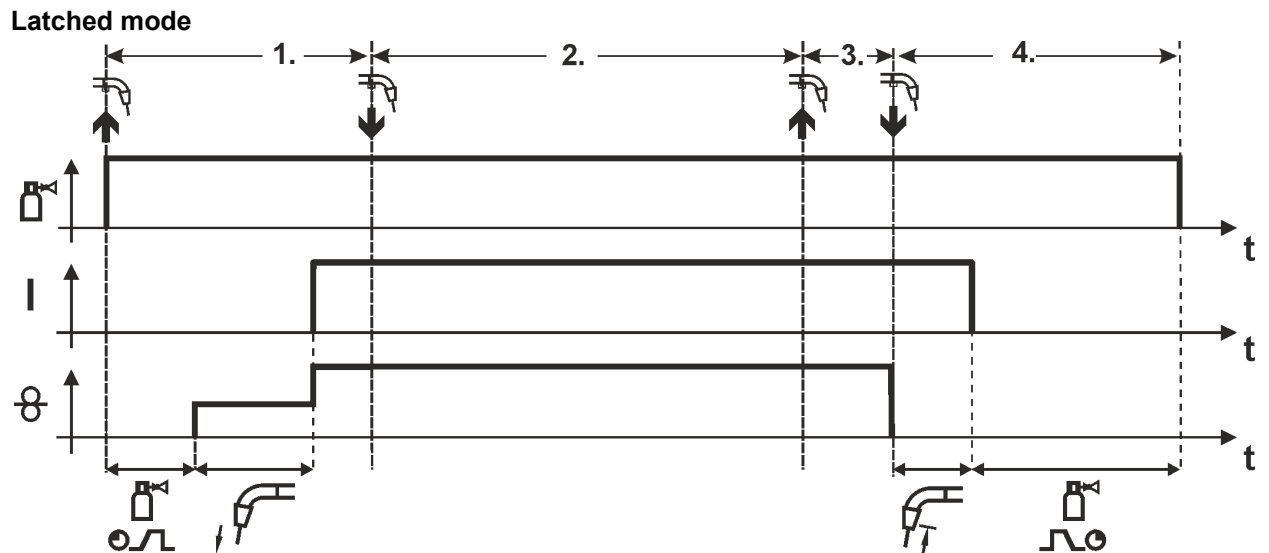


Figure 5-27

**1. cycle**

- Press and hold torch trigger
- Shielding gas is expelled (gas pre-flows)
- Wire feed motor runs at “creep speed”
- Arc ignites when the wire electrode makes contact with the workpiece  
Welding current flows
- Wire feed speed increases to the set nominal value

**2. cycle**

- Release torch trigger (no effect)

**3. cycle**

- Press torch trigger (no effect)

**4. cycle**

- Release torch trigger
- Wire feed motor stops
- Arc is extinguished after the pre-selected wire burn-back time elapses
- Gas post-flow time elapses

## Spot welding

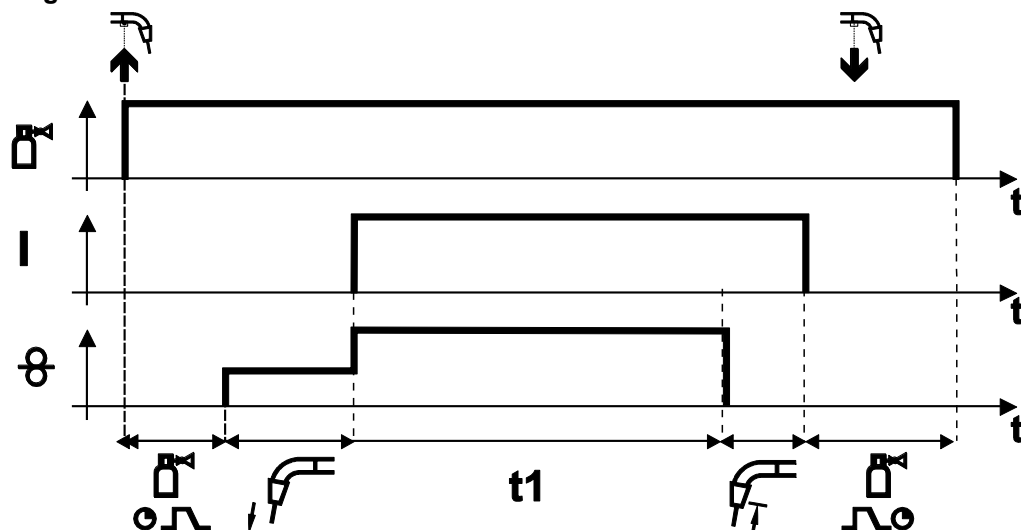


Figure 5-28

### Start

- Press and hold torch trigger.
- Shielding gas is expelled (gas pre-flows).
- Arc ignites after the wire electrode makes contact with the workpiece at creep speed.
- Welding current flows.
- Wire feed speed increases to the set nominal value.
- The wire feed stop welding after the spot time elapses.
- Arc is extinguished after the wire burn-back time elapses.
- Gas post-flow time elapses.

### Premature termination

- Release torch trigger.

Interval

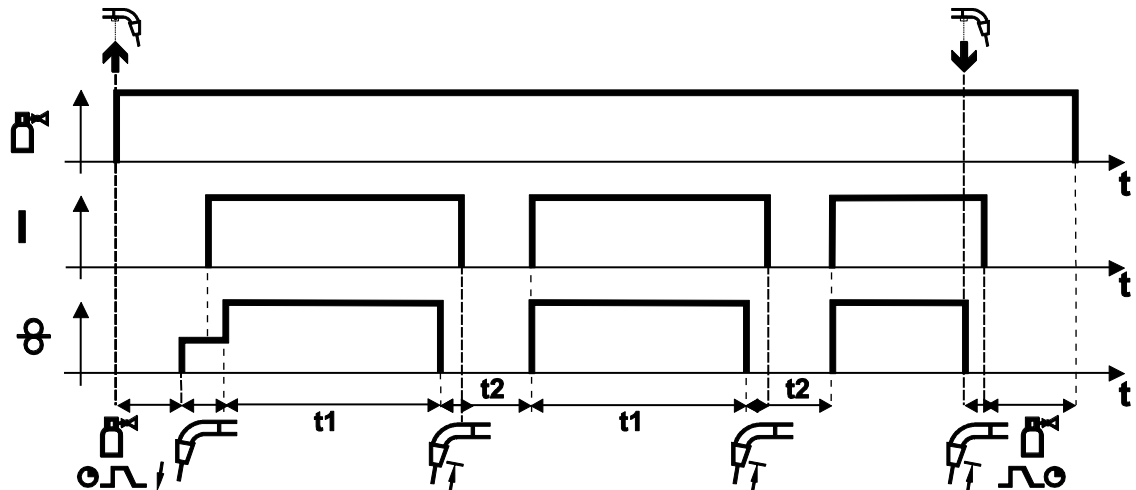


Figure 5-29

Start

- Press and hold torch trigger.
- Shielding gas is expelled (gas pre-flows).

Sequence

- Arc ignites after the wire electrode makes contact with the workpiece at creep speed.
- Welding current flows.
- Wire feed speed increases to the set nominal value.
- The wire feed stops after the spot time elapses.
- Arc is extinguished after the wire burn-back time elapses.
- The process is repeated when the pause time is over.

End

- Release torch trigger, wire feed stops, arc is extinguished, gas post-flow time elapses.

If the pause time is less than 3 s, wire creep only takes place in the first spot phase.

When the torch trigger is released, the welding process is also ended even before the spot time elapses.

### 5.2.11 Conventional MIG/MAG Welding (GMAW non synergic)

You can only change the JOB number when no welding current is flowing.

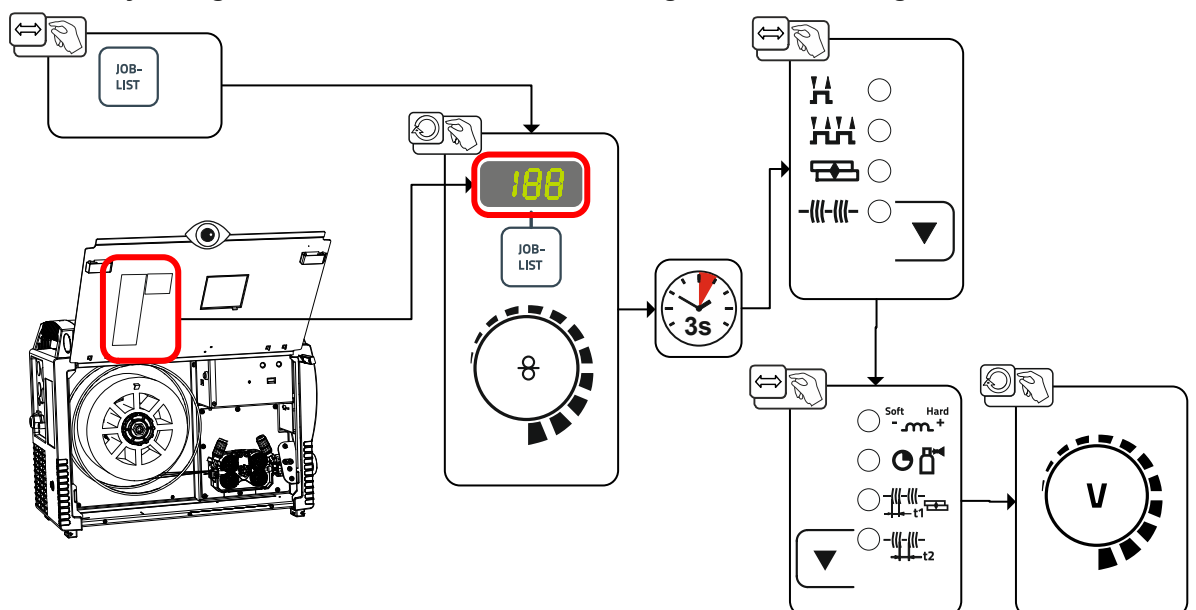


Figure 5-30

## 5.2.12 Expert menu (MIG/MAG)

The Expert menu has adjustable parameters stored that don't require regular setting. The number of parameters shown may be limited, e.g. if a function is deactivated.

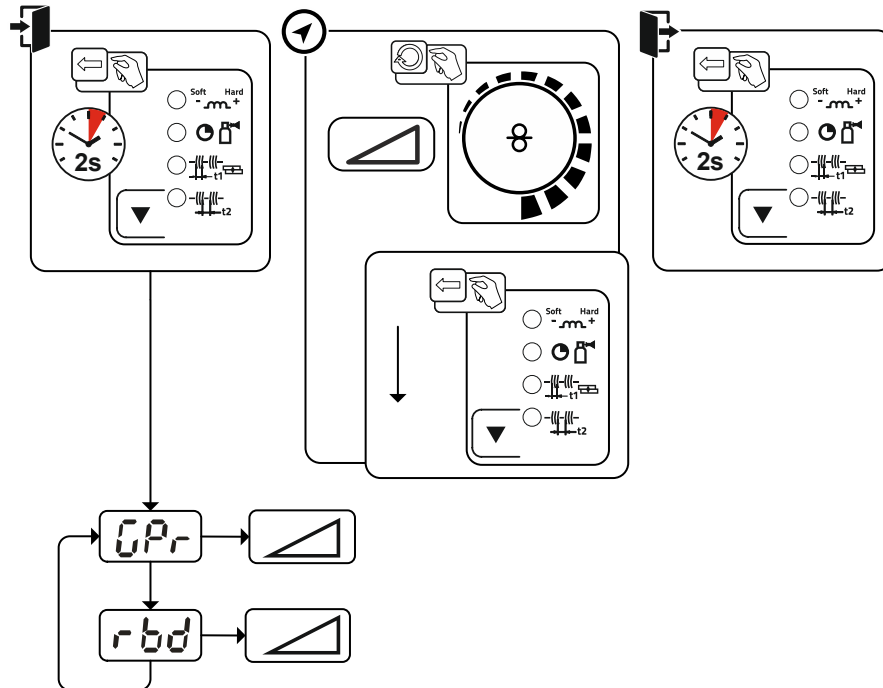


Figure 5-31

Display	Setting/selection
	Gas pre-flow time
	Burn-back correction

## 5.3 MMA welding

### 5.3.1 Connecting the electrode holder and workpiece lead

#### ⚠ CAUTION



**Risk of crushing and burns!**

**When changing stick electrodes there is a risk of crushing and burns!**

- Wear appropriate and dry protective gloves.
- Use an insulated pair of tongs to remove the used stick electrode or to move welded workpieces.

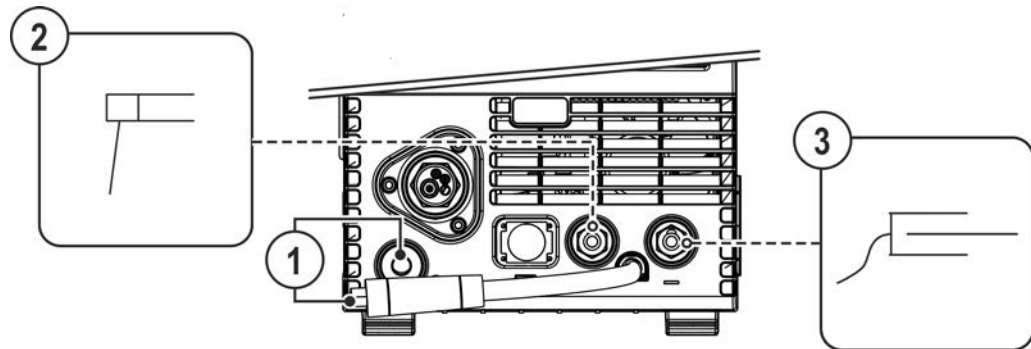


Figure 5-32

Item	Symbol	Description
1		<b>Polarity selector plug, welding current cable</b> <ul style="list-style-type: none"> <li>• Connect to the park socket.</li> </ul>
2		<b>Electrode holder</b>
3		<b>Workpiece</b>

- Insert the polarity selection plug in the park socket and lock in place by turning to the right.
- Insert the electrode holder plug and workpiece lead into the welding current socket depending on application and lock in place by turning to the right. The corresponding polarity will be based on the information of the electrode manufacturer on the electrode packaging.

## 5.3.2 Welding task selection

- Select MMA JOB 128 > see 11.1 chapter.

You can only change the JOB number when no welding current is flowing.

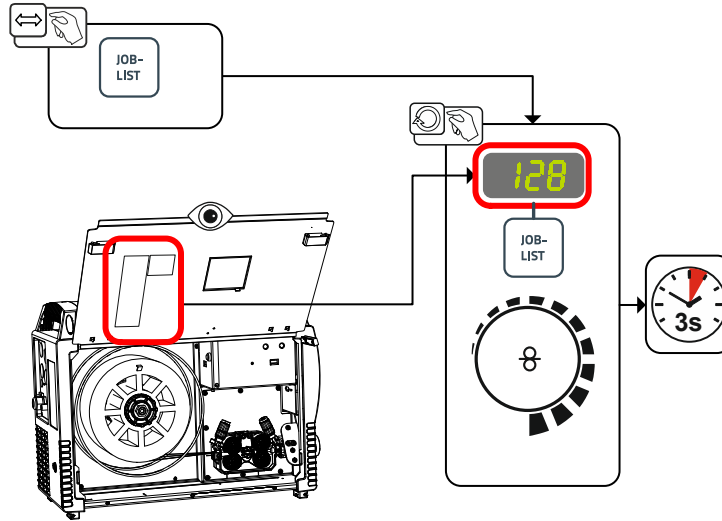


Figure 5-33

## 5.3.3 Arcforce

During the welding process, arcforce prevents the electrode sticking in the weld pool with increases in current. This makes it easier to weld large-drop melting electrode types at low current strengths with a short arc in particular.

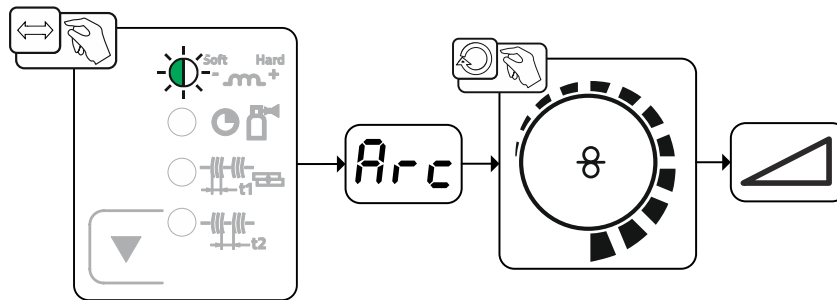


Figure 5-34

Display	Setting/selection
	<b>Arcforce correction</b> <ul style="list-style-type: none"> <li>• Increase value &gt; harder arc</li> <li>• Decrease value &gt; softer arc</li> </ul>

## 5.3.4 Hotstart

The function hot start ensures a secure igniting of the arc and a sufficient heating to the still cold parent metal at the beginning of the welding process. The ignition takes place here with increased current (hot start current) over a certain time (hot start time).

For parameter setting, > see 5.3.6 chapter.

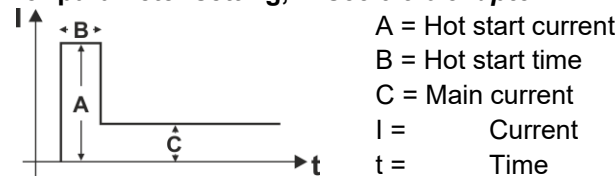
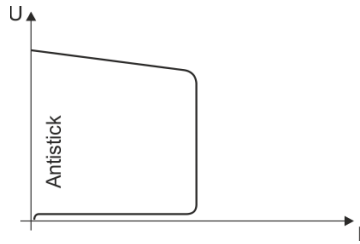


Figure 5-35



### 5.3.5 Antistick



**The Antistick feature prevents the electrode from annealing.** Should the electrode stick despite the Arcforce feature, the machine automatically switches to the minimum current within approx. one second. This prevents the electrode from annealing. Check the welding current setting and correct for the welding task in hand.

Figure 5-36

### 5.3.6 Expert menu (MMA)

The Expert menu has adjustable parameters stored that don't require regular setting. The number of parameters shown may be limited, e.g. if a function is deactivated.

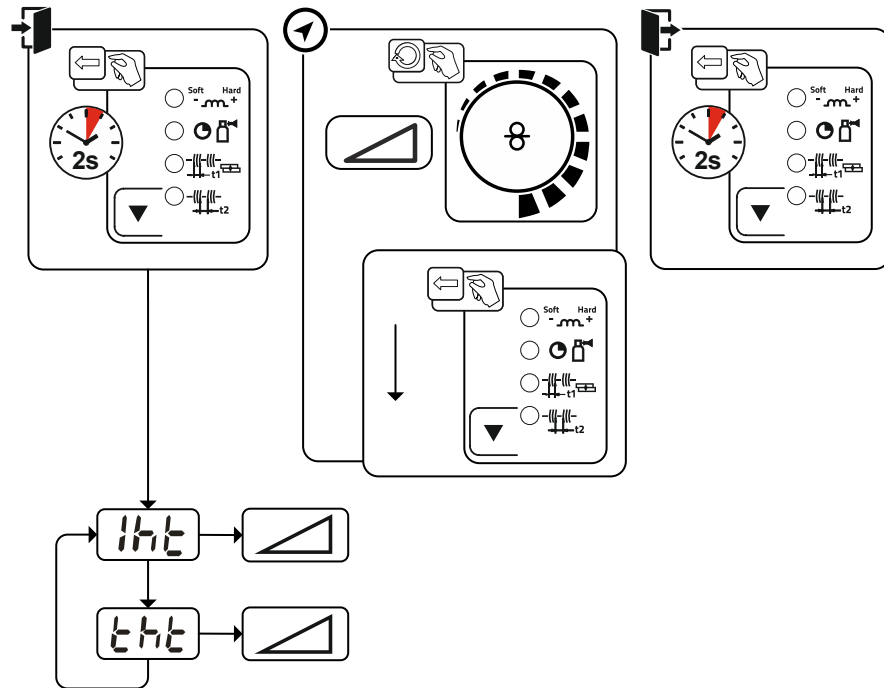


Figure 5-37

Display	Setting/selection
	Hotstart current
	Hotstart time

## 5.4 TIG welding

### 5.4.1 Preparing the TIG welding torch

The TIG welding torch is to be equipped to suit the relevant welding task!

- Fit suitable tungsten electrodes and
- an appropriate shielding gas nozzle.
- Observe the operating instructions for the TIG welding torch!

### 5.4.2 Welding torch and workpiece line connection

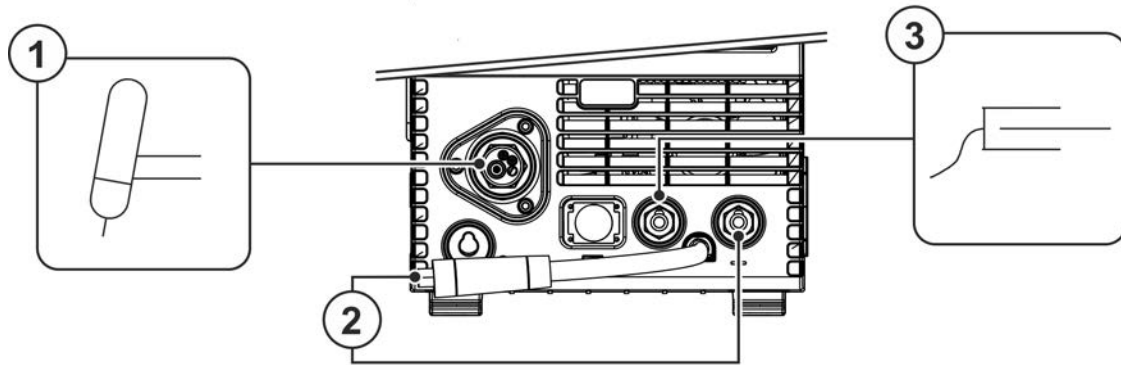


Figure 5-38

Item	Symbol	Description
1		<b>Welding torch</b>
2		<b>Polarity selector plug, welding current cable</b> Internal welding current cable for central connection/welding torch. • Connection socket for "-" welding current
3		<b>Workpiece</b>

- Insert the central plug for the welding torch into the central connector and screw together with crown nut.
- Insert the polarity selection plug into the "-" welding current connection socket and lock in place by turning to the right.
- Insert the plug of the workpiece lead into the "+" welding current connection socket and lock in place by turning to the right.

### 5.4.3 Welding task selection

- Select TIG JOB 127.

You can only change the JOB number when no welding current is flowing.

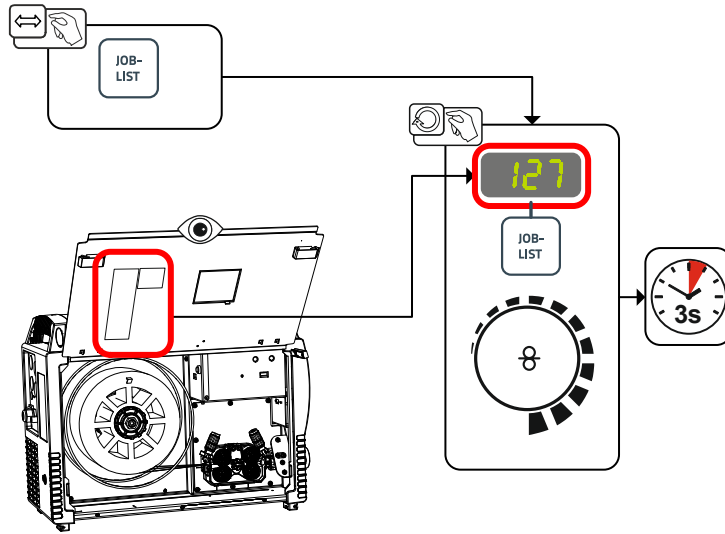


Figure 5-39

### 5.4.4 Adjusting the gas post-flow time

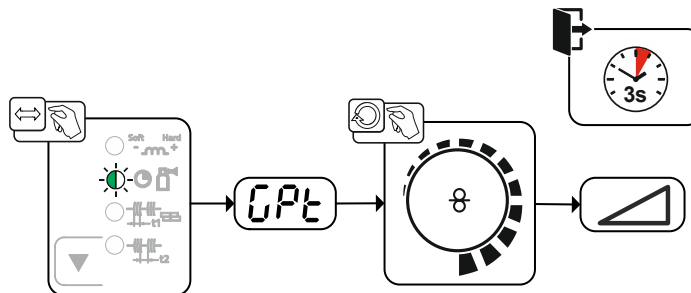


Figure 5-40

Display	Setting/selection
	Gas post-flow time

## 5.4.5 Expert menu (TIG)

The Expert menu has adjustable parameters stored that don't require regular setting. The number of parameters shown may be limited, e.g. if a function is deactivated.

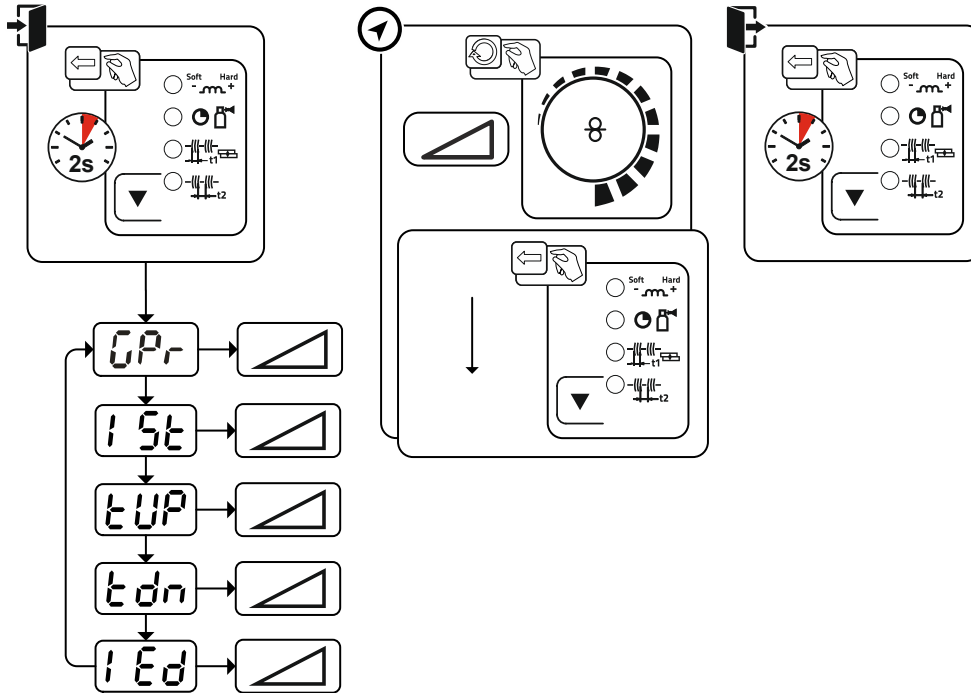


Figure 5-41

Display	Setting/selection
	Gas pre-flow time
	Ignition current (as percentage, dependent on main current)
	Upslope time to main current
	Downslope time The downslope time can be set separately for latched and non-latched operation.
	End-crater current Setting range in percent: depending on main current Setting range, absolute: I <sub>min</sub> to I <sub>max</sub> .

## 5.4.6 Arc ignition

### 5.4.6.1 Liftarc

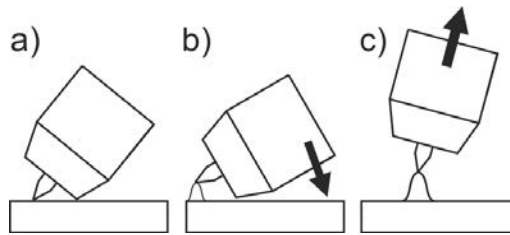


Figure 5-42

**The arc ignites through contact with the workpiece:**

- Carefully place the torch gas nozzle and tungsten electrode tip against the workpiece (lift arc current flows independent of the set main current)
- Angle the torch above the torch gas nozzle until the distance between electrode tip and workpiece is approx. 2–3 mm (arc ignites, current increases to the set main current).
- Lift the torch off and bring into normal position.

**Complete the welding task: Remove the torch from the workpiece so that the arc extinguishes.**

## 5.4.7 Operating modes (functional sequences)

### 5.4.7.1 Legend

Symbol	Meaning
	Press torch trigger
	Release torch trigger
I	Welding current
	Gas pre-flows
	Gas post-flows
	Non-latched
	Latched
t	Time
$t_{Up}$	Upslope time
$t_{Down}$	Downslope time
$I_{start}$	Ignition current
$I_{end}$	End-crater current

### 5.4.7.2 Automatic cut-out

Once the fault periods have elapsed, the automatic cut-out stops the welding process when it has been triggered by one of two states:

- During ignition  
5 s after the start of the welding process, no welding current flows (ignition error).
- During welding  
The arc is interrupted for more than 5 s (arc interruption).

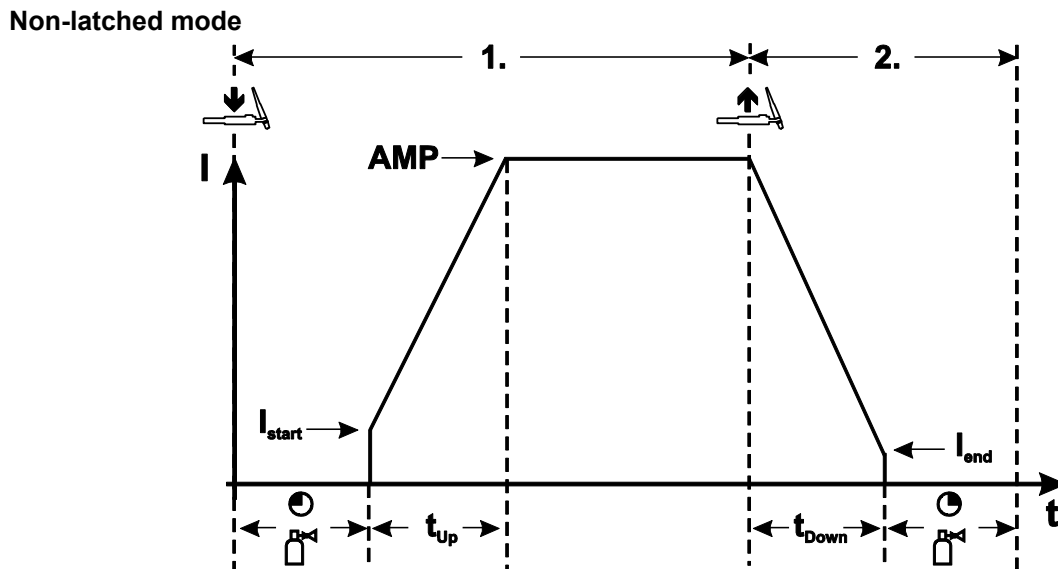


Figure 5-43

### 1st cycle

- Press and hold torch trigger.
- Shielding gas is expelled (gas pre-flows).

### The arc is ignited using liftarc.

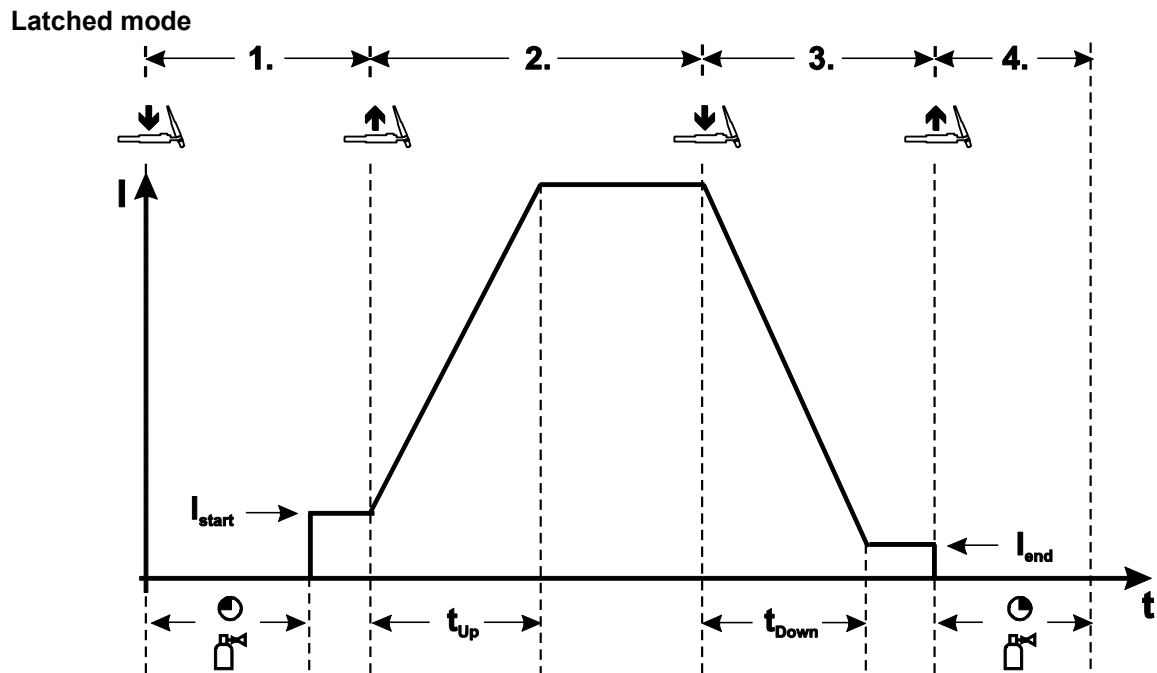
- The welding current flows with the value set for the starting current  $I_{start}$ .
- Welding current increases to the main current in the set upslope time.

### 2nd cycle

- Release torch trigger.
- The main current falls in the set downslope time to the end-crater current  $I_{end}$ .

### If the torch trigger is pressed again during the downslope time, the welding current returns to the set main current!

- The main current reaches the end-crater current  $I_{end}$ , the arc extinguishes.
- Gas post-flow time elapses.



#### 1st cycle

- Press and hold torch trigger.
- Shielding gas is expelled (gas pre-flows).

#### The arc is ignited using liftarc.

- The welding current flows with the value set for the starting current  $I_{start}$ .

#### 2nd cycle

- Release torch trigger.
- Welding current increases to the main current in the set upslope time.

#### 3rd cycle

- Press and hold torch trigger.
- The main current falls in the set downslope time to the end-crater current  $I_{end}$ .

#### 4th cycle

- Release torch trigger, arc is extinguished.
- Gas post-flow time elapses.

**The welding process is terminated immediately if the torch trigger is released during the downslope time.**

The welding current drops to zero and the gas post-flow time begins.

## 5.5 Remote control

The remote controls are operated on the 19-pole remote control connection socket (analogue).

## 5.6 Special parameters (advanced settings)

Special parameters (P1 to Pn) are applied for customer-specific configuration of machine functions. This allows the user maximum flexibility in optimising their requirements.

These settings are not configured directly on the machine control since a regular setting of the parameters is generally not required. The number of selectable special parameters can deviate between the machine controls used in the welding system (also see the relevant standard operating instructions).

If required, the special parameters can be reset to the factory settings > see 7.4 chapter.

## 5.6.1 Selecting, changing and saving parameters

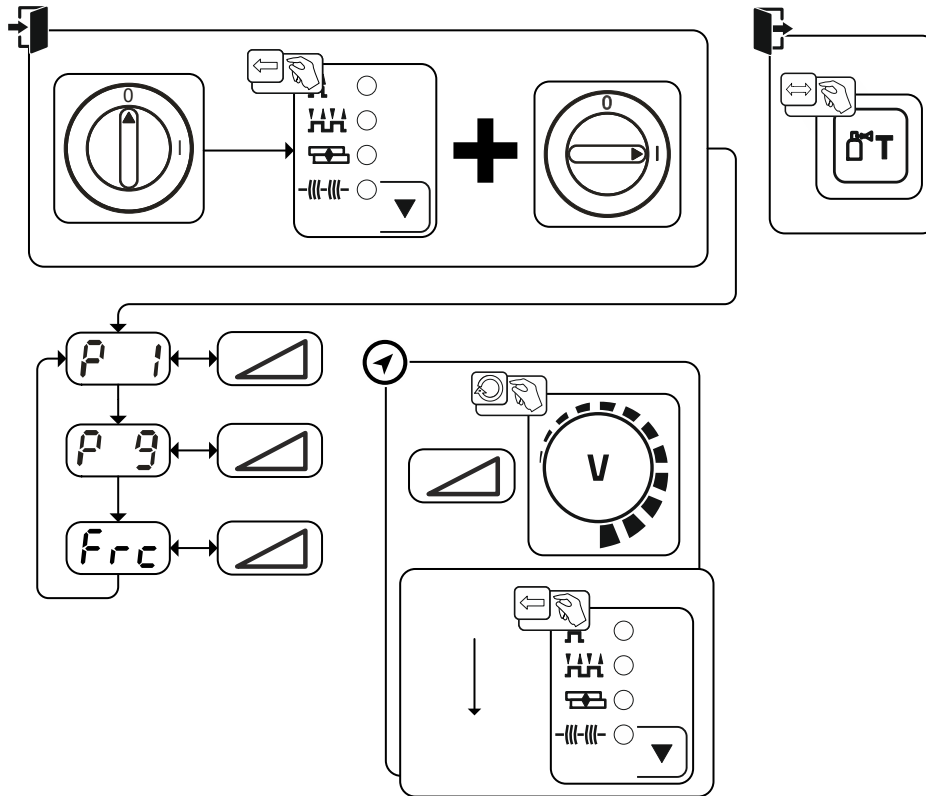


Figure 5-45

Display	Setting/selection
<b>P 1</b>	<b>Wire inching / wire return ramp time</b> 0 = ----- normal inching (10 s ramp time) 1 = ----- fast inching (3 s ramp time) (ex works)
<b>P 9</b>	<b>Lat. and sp. lat. tapping start</b> 0 = ----- no latched tapping start (Ex works) 1 = ----- latched tapping start possible
<b>Frc</b>	<b>Remote control encoding (Frc)</b> 0----- Automatic remote control detection (ex works) 2----- Remote control encoding for accessory components with a single rotary knob only 9----- Remote control encoding for accessory components with a single pair of buttons or a rocker only 1, 3–8 --- No remote control encoding 10–15 --- No remote control encoding

## 5.6.2 Special parameters in detail

### 5.6.2.1 Ramp time for wire inching (P1)

The wire inching starts with a speed 1.0 m/min for 2 secs. It is subsequently increased to a ramp function to 6.0 m/min. The ramp time can be set between two ranges.

During wire inching, the speed can be changed by means of the welding power rotary knob. Changing the speed has no effect on the ramp time.

### 5.6.2.2 Latched/special-latched tap start (P9)

In latched – tap start – operating mode it is possible to switch straight to the second step by tapping the torch trigger; it is not necessary for current to be flowing.

The welding can be halted by pressing the torch trigger for a second time.



### 5.6.3 Reset to factory settings

All special parameters saved by the user will be overwritten by the factory settings!

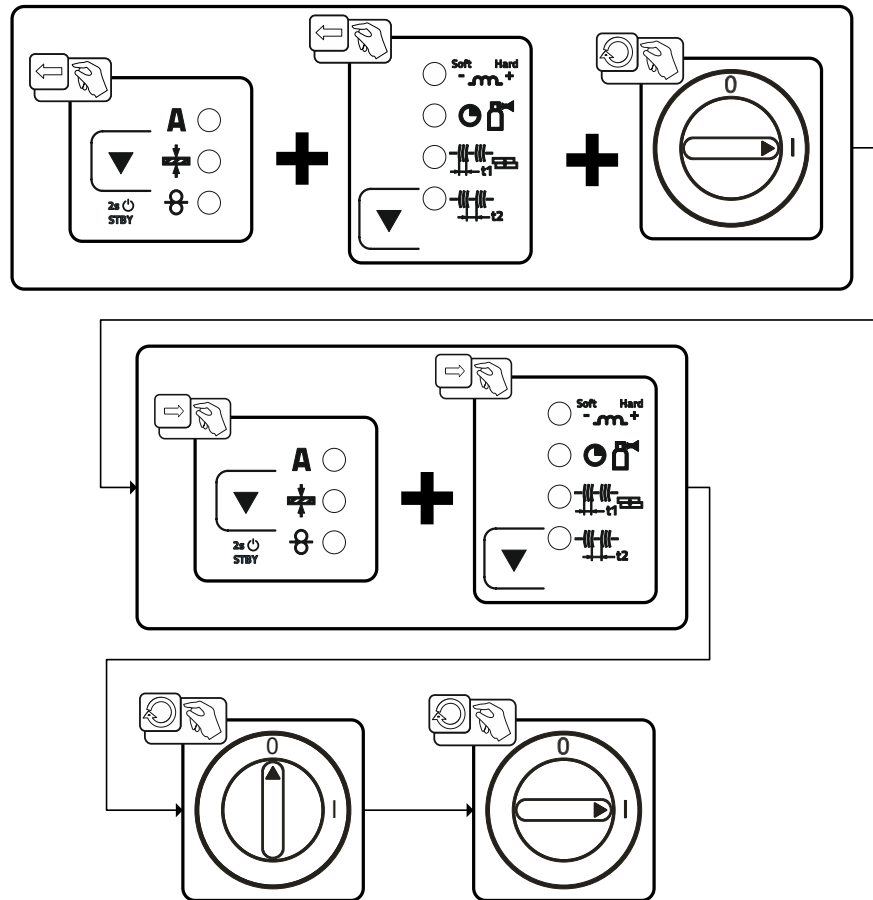


Figure 5-46

## 5.7 Machine configuration menu

### 5.7.1 Selecting, changing and saving parameters

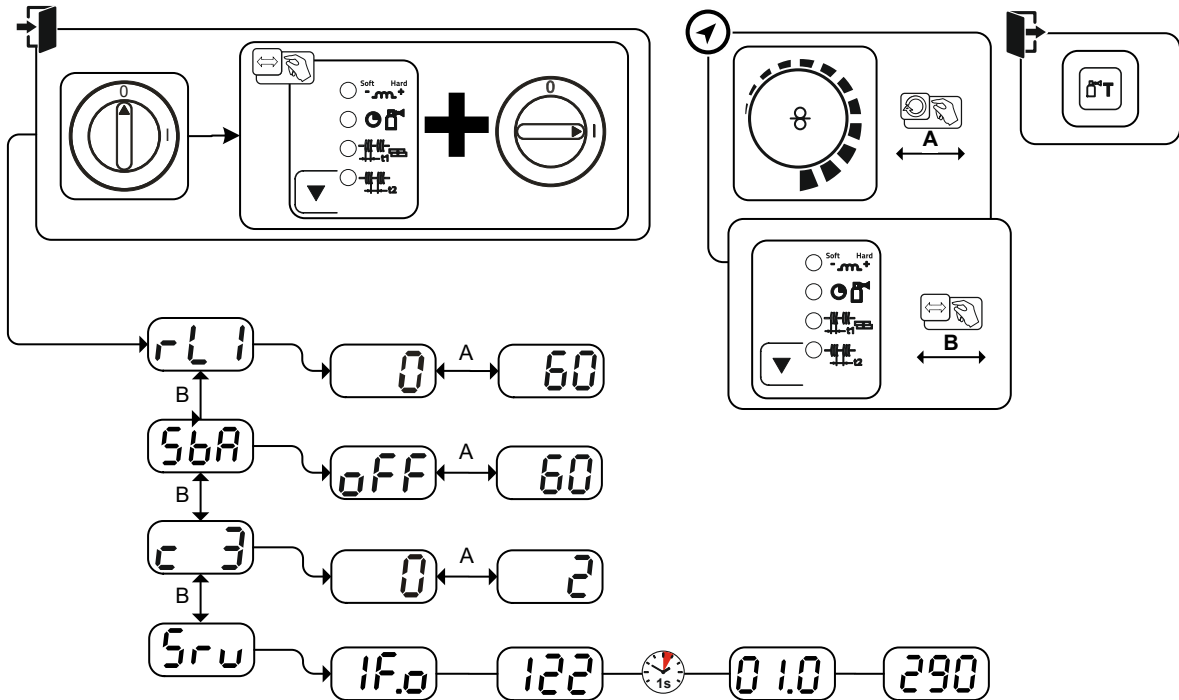


Figure 5-47

Display	Setting/selection
<b>rL1</b>	<b>Lead resistance 1</b> Lead resistance for the first welding circuit 0 mΩ–60 mΩ (8 mΩ ex works).
<b>SbA</b>	<b>Time-based power-saving mode &gt; see 5.8 chapter</b> Time to activation of the power-saving mode in case of inactivity. Setting <b>OFF</b> = disabled or numerical value 5-60 min..
<b>c 3</b>	<b>Only qualified service personnel may change the parameters!</b>
<b>Srv</b>	<b>Service menu</b> Any changes to the service menu should be agreed with the authorised service personnel.

### 5.7.2 Aligning the cable resistance

The resistance value of cables can either be set directly or it can be aligned using the power source. The factory setting of the power sources is 8 mΩ. This value corresponds to a 5 m earth cable, a 1.5 m intermediate hose package and a 3 m water-cooled welding torch. With other hose package lengths, it is necessary to carry out a +/- voltage correction to optimise welding properties. The voltage correction value can be set close to zero by means of realigning the cable resistance. It is recommended to align the electric cable resistance after replacing accessories such as torches or intermediate hose packages.

In case a second wire feeder is used the (rL2) parameter has to be aligned. For all other configurations it is sufficient to align the (rL1) parameter.

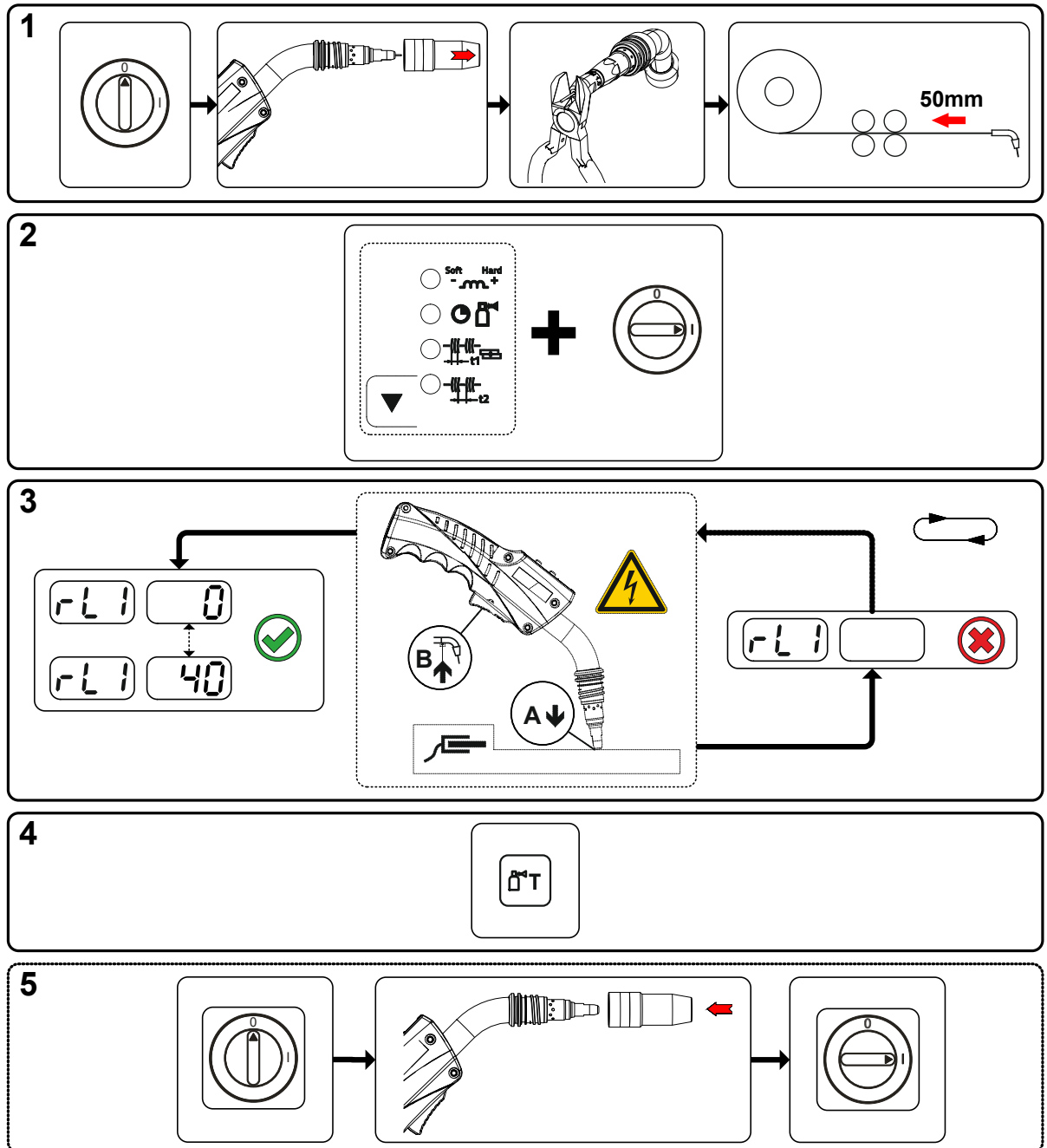


Figure 5-48

## 1 Preparation

- Switch off the welding machine.
- Unscrew the gas nozzle from the welding torch.
- Trim the welding wire so that it is flush with the contact tip.
- Retract the welding wire a little (approx. 50 mm) on the wire feeder. There should now be no more welding wire in the contact tip.

## 2 Configuration

- Press the "sequence parameter" push-button while simultaneously switching on the welding machine. Release the "sequence parameter" push-button.
- The desired parameter can now be selected using the "sequence parameter" push-button. Parameter rL1 must be adjusted for all machine combinations. In case of welding systems with a second power circuit – if two wire feeders are to be operated from a single power source, for example – a second adjustment with parameter rL2 must be performed.

## 3 Alignment/Measurement

- Applying slight pressure, put the welding torch in place with the contact tip on a clean, purged location on the workpiece and then press the torch trigger for approx. 2 seconds. A short-circuit current will flow briefly, which is used to determine and display the new cable resistance. The value can be between 0 mΩ and 40 mΩ. The new value is immediately saved without requiring further confirmation. If no value is shown on the right-hand display, then measurement failed. The measurement must be repeated.

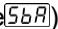
## 4 Saving

- Press the "gas test" push-button.

## 5 Restoring welding standby mode

- Switch off the welding machine.
- Screw the gas nozzle onto the welding torch.
- Switch on the welding machine.
- Insert the welding wire.

## 5.8 Power-saving mode (Standby)

You can activate the power-saving mode by either pressing the push-button > see 4.3 chapter for a prolonged time or by setting a parameter in the machine configuration menu (time-controlled power-saving mode ) > see 5.7 chapter.



When power-saving mode is activated, the machine displays show the horizontal digit in the centre of the display only.

Pressing any operating element (e.g. turning a rotary knob) deactivates power-saving mode and the machine is ready for welding again.

## 6 Maintenance, care and disposal

### 6.1 General

#### DANGER



**Risk of injury due to electrical voltage after switching off!**

**Working on an open machine can lead to fatal injuries!**

**Capacitors are loaded with electrical voltage during operation. Voltage remains present for up to four minutes after the mains plug is removed.**

1. Switch off machine.
2. Remove the mains plug.
3. Wait for at least 4 minutes until the capacitors have discharged!

#### WARNING



**Incorrect maintenance, testing and repair!**

**Maintenance, testing and repair of the machine may only be carried out by skilled and qualified personnel. A qualified person is one who, because of his or her training, knowledge and experience, is able to recognise the dangers that can occur while testing welding power sources as well as possible subsequent damage, and who is able to implement the required safety procedures.**

Observe the maintenance instructions > see 6.2 chapter.

- In the event that the provisions of one of the below-stated tests are not met, the machine must not be operated again until it has been repaired and a new test has been carried out!

Repair and maintenance work may only be performed by qualified authorised personnel; otherwise the right to claim under warranty is void. In all service matters, always consult the dealer who supplied the machine. Return deliveries of defective equipment subject to warranty may only be made through your dealer. When replacing parts, use only original spare parts. When ordering spare parts, please quote the machine type, serial number and item number of the machine, as well as the type designation and item number of the spare part.

Under the specified ambient conditions and normal working conditions this machine is essentially maintenance-free and requires just a minimum of care.

Contamination of the machine may impair service life and duty cycle. The cleaning intervals depend on the ambient conditions and the resulting contamination of the machine. The minimum interval is every six months.

#### 6.1.1 Cleaning

- Clean the outer surfaces with a moist cloth (no aggressive cleaning agents).
- Purge the machine venting channel and cooling fins (if present) with oil- and water-free compressed air. Compressed air may overspeed and destroy the machine fans. Never direct the compressed air directly at the machine fans. Mechanically block the fans, if required.
- Check the coolant for contaminants and replace, if necessary.

#### 6.1.2 Dirt filter

The duty cycle of the welding machine decreases as an effect of the reduced cooling air volume. The dirt filter must be removed at regular intervals and cleaned by blowing out with compressed air (depending on the level of soiling).

## 6.2 Maintenance work, intervals

### 6.2.1 Daily maintenance tasks

#### Visual inspection

- Mains supply lead and its strain relief
- Gas cylinder securing elements
- Check hose package and power connections for exterior damage and replace or have repaired by specialist staff as necessary!
- Gas tubes and their switching equipment (solenoid valve)
- Check that all connections and wearing parts are hand-tight and tighten if necessary.
- Check correct mounting of the wire spool.
- Wheels and their securing elements
- Transport elements (strap, lifting lugs, handle)
- Other, general condition

#### Functional test

- Operating, message, safety and adjustment devices (Functional test)
- Welding current cables (check that they are fitted correctly and secured)
- Gas tubes and their switching equipment (solenoid valve)
- Gas cylinder securing elements
- Check correct mounting of the wire spool.
- Check that all screw and plug connections and replaceable parts are secured correctly, tighten if necessary.
- Remove any spatter.
- Clean the wire feed rollers on a regular basis (depending on the degree of soiling).

### 6.2.2 Monthly maintenance tasks

#### Visual inspection

- Casing damage (front, rear and side walls)
- Wheels and their securing elements
- Transport elements (strap, lifting lugs, handle)
- Check coolant tubes and their connections for impurities

#### Functional test

- Selector switches, command devices, emergency stop devices, voltage reducing devices, message and control lamps
- Check wire guide elements (wire feed roll holder, wire feed nipple, wire guide tube) for tight fit. Recommendation for replacing the wire feed roll holder (eFeed) after 2000 hours of operation, see replacement parts).
- Check coolant tubes and their connections for impurities
- Check and clean the welding torch. Deposits in the torch can cause short circuits and have a negative impact on the welding result, ultimately causing damage to the torch.

### 6.2.3 Annual test (inspection and testing during operation)

A periodic test according to IEC 60974-4 "Periodic inspection and test" has to be carried out. In addition to the regulations on testing given here, the relevant local laws and regulations must also be observed. For more information refer to the "Warranty registration" brochure supplied and our information regarding warranty, maintenance and testing at [www.ewm-group.com](http://www.ewm-group.com)!

### 6.3 Disposing of equipment



#### Proper disposal!

The machine contains valuable raw materials, which should be recycled, and electronic components, which must be disposed of.

- Do not dispose of in household waste!
- Observe the local regulations regarding disposal!
- According to European provisions (Directive 2012/19/EU on Waste of Electrical and Electronic Equipment), used electric and electronic equipment may no longer be placed in unsorted municipal waste. It must be collected separately. The symbol depicting a waste container on wheels indicates that the equipment must be collected separately.  
This machine has to be disposed of, or recycled, in accordance with the waste separation systems in use.
- According to German law (law governing the distribution, taking back and environmentally correct disposal of electric and electronic equipment (ElektroG)), used machines are to be placed in a collection system separate from unsorted municipal waste. The public waste management utilities (communities) have created collection points at which used equipment from private households can be disposed of free of charge.
- Information about returning used equipment or about collections can be obtained from the respective municipal administration office.
- In addition to this, returns are also possible throughout Europe via EWM sales partners.

## 7 Rectifying faults

All products are subject to rigorous production checks and final checks. If, despite this, something fails to work at any time, please check the product using the following flowchart. If none of the fault rectification procedures described leads to the correct functioning of the product, please inform your authorised dealer.

### 7.1 Checklist for rectifying faults

**The correct machine equipment for the material and process gas in use is a fundamental requirement for perfect operation!**

Legend	Symbol	Description
	↙	Fault/Cause
	✘	Remedy

#### Functional errors

- ↙ Mains fuse triggers - unsuitable mains fuse
  - ✘ Set up recommended mains fuse > see 8 chapter.
- ↙ Machine does not start up after switching on (device fan and possibly coolant pump have no function).
  - ✘ Connect the control cable of the wire feeder.
- ↙ All machine control signal lights are illuminated after switching on
- ↙ No machine control signal light is illuminated after switching on
- ↙ No welding power
  - ✘ Phase failure > check mains connection (fuses)
- ↙ Machine restarts continuously
- ↙ Wire feeder without function
- ↙ System does not start up
  - ✘ Make control lead connections and check that they are fitted correctly.
- ↙ Loose welding current connections
  - ✘ Tighten power connections on the torch and/or on the workpiece
  - ✘ Properly fasten the contact tip and contact tip holder.

#### Coolant error/no coolant flowing

- ↙ Insufficient coolant flow
  - ✘ Check coolant level and refill if necessary
- ↙ Air in the coolant circuit
  - ✘ Vent coolant circuit

#### Wire feed problems

- ↙ Contact tip blocked
  - ✘ Clean, spray with anti-spatter spray and replace if necessary
- ↙ Setting the spool brake > see 5.2.4.4 chapter
  - ✘ Check settings and correct if necessary
- ↙ Setting pressure units > see 5.2.4.3 chapter
  - ✘ Check settings and correct if necessary
- ↙ Worn wire rolls
  - ✘ Check and replace if necessary
- ↙ Wire feed motor without supply voltage (automatic cutout triggered by overloading)
  - ✘ Reset triggered fuse (rear of the power source) by pressing the key button
- ↙ Kinked hose packages
  - ✘ Extend and lay out the torch hose package
- ↙ Wire guide core or spiral is dirty or worn
  - ✘ Clean core or spiral; replace kinked or worn cores



## Mains fuse triggers

- ⚡ Mains fuse triggers - unsuitable mains fuse
  - ✖ Set up recommended mains fuse > see 8 chapter.

## 7.2 Error messages (power source)

Depending on the options of the machine display, a fault is shown as follows:

Display type - machine control	Display
Graphic display	
two 7-segment displays	
one 7-segment display	

The possible cause of the fault is signalled by a corresponding fault number (see table). In the case of an error, the power unit shuts down.

The display of possible error numbers depends on the machine version (interfaces/functions).

- Document machine errors and inform service staff as necessary.
- If multiple errors occur, these are displayed in succession.
- Document machine errors and inform service staff as necessary.
- If multiple errors occur, these are displayed in succession.

	Category			Possible cause	Remedy
	a)	b)	c)		
1				Mains overvoltage	Check the mains voltages and compare with the connection voltages of the welding machine
2				Mains undervoltage	
3				Excess temperature of welding machine	Allow the machine to cool down (mains switch to "1")
4				Coolant error	Fill coolant Turn on pump shaft (coolant pump) Check overcurrent trip of air cooling unit
5				Wire feeder, tachometer error	Check the wire feeder tachometer generator sends no signal, motor control defective > inform Service.
6				Shielding gas error	Check shielding gas supply (for machines with shielding gas monitoring)
7				Overvoltage on secondary	Inverter error > inform Service
8				Wire error	Separate the electrical connection between welding wire and housing or an earthed object
9				Fast shutdown	Rectify error on robot (Interface for automated welding)
10				Arc interruption	Check wire feeding (interface for automated welding)
11				Ignition error (after 5 s)	Check wire feeding (interface for automated welding)
13				Emergency stop deactivation	Check the emergency stop switch of the interface for automated welding
14				Wire feeder detection	Check cable connections
				ID number allocation error (2DV)	Correct ID numbers

Err	Category			Possible cause	Remedy
	a)	b)	c)		
15	✗	✓	✗	Detection of wire feeder 2	Check cable connections
16	✗	✗	✓	Error in open circuit voltage reduction (VRD)	Inform Service.
17	✗	✓	✓	Overcurrent detection on wire feeder	Check ease of wire feeding
18	✗	✓	✓	Error in tachometer generator signal	Check the connection and particularly the tachometer generator of the second wire feeder (slave drive).
56	✗	✗	✓	Mains phase failure	Check mains voltages
58	✗	✓	✗	Short circuit	Check welding circuit for short circuit; put down welding torch isolated
59	✗	✗	✓	Machine incompatible	Check machine usage
60	✗	✗	✓	Software update required	Inform Service.

### Categories legend (resetting the error)

- a) The error message will disappear once the error has been rectified.
- b) The error message can be reset by pressing a push-button:

Welding machine control	Push-button
RC1 / RC2	
Expert	
Expert 2.0 / Expert XQ 2.0	
CarExpert / Progress (M3.11)	
alpha Q / Concept / Basic / Basic S / Synergic / Synergic S / Progress (M3.71) / Picomig 355	not possible

- c) The error message can only be reset by switching the machine off and on again.  
The shielding gas error (Err 6) can be reset by pressing the "Welding parameters" key button.

### 7.3 Welding parameter calibration

In case of deviations between the welding parameters set on the front panel/remote control and those shown on the welding machine, this function allows for easy alignment.

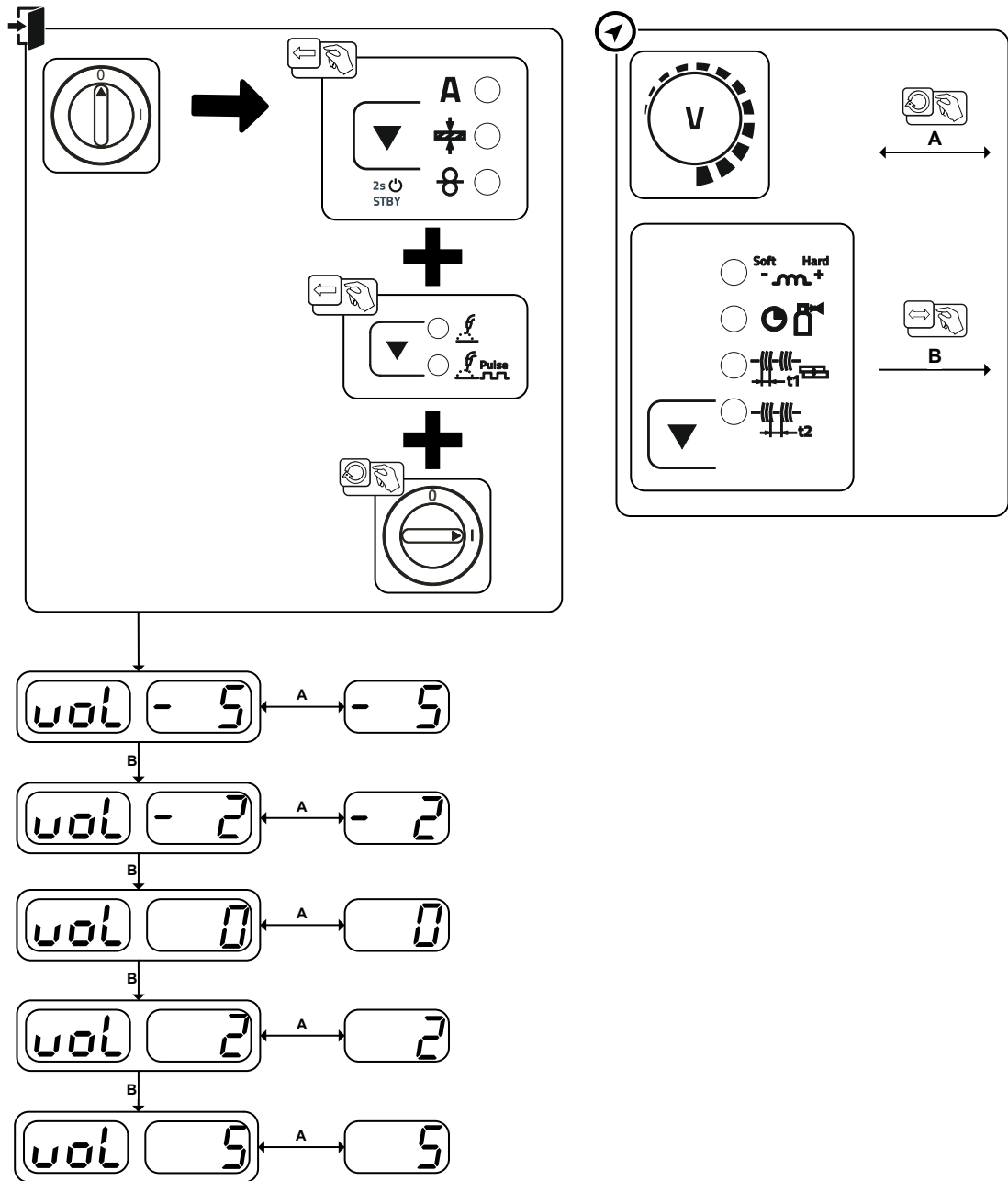


Figure 7-1

## 7.4 Resetting welding parameters to the factory settings

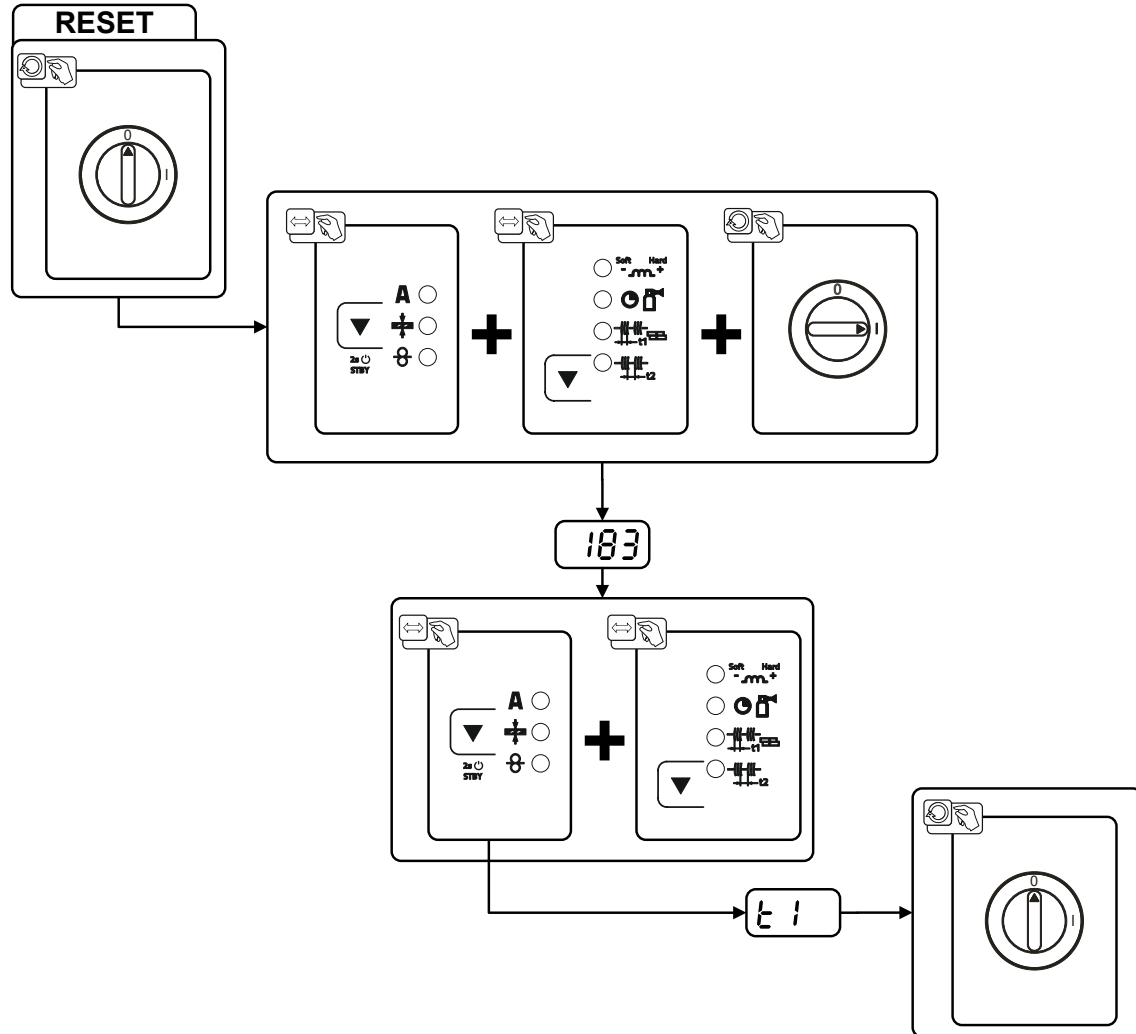


Figure 7-2

Display	Setting/selection
183	Code of machine control
E 1	Initialisation complete All customised welding parameters haven been overwritten by the factory settings.

## 7.5 Resetting JOBs (welding tasks) to the factory settings

### 7.5.1 Resetting a single JOB

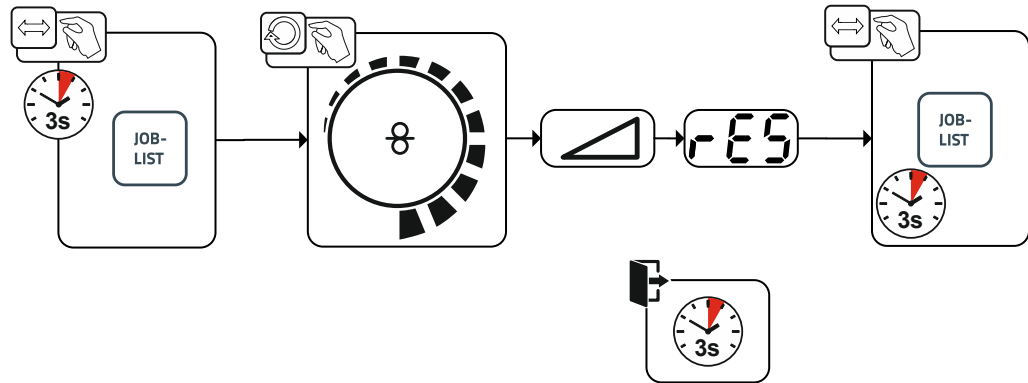


Figure 7-3

Display	Setting/selection
	<b>RESET to factory settings</b> The RESET will be done after pressing the button. The menu will be ended when no changes are done after 3 sec.
	<b>JOB-number (example)</b> The shown JOB will be set to ex works.

### 7.5.2 Resetting all JOBs

All customised welding parameters that are stored will be replaced by the factory settings.

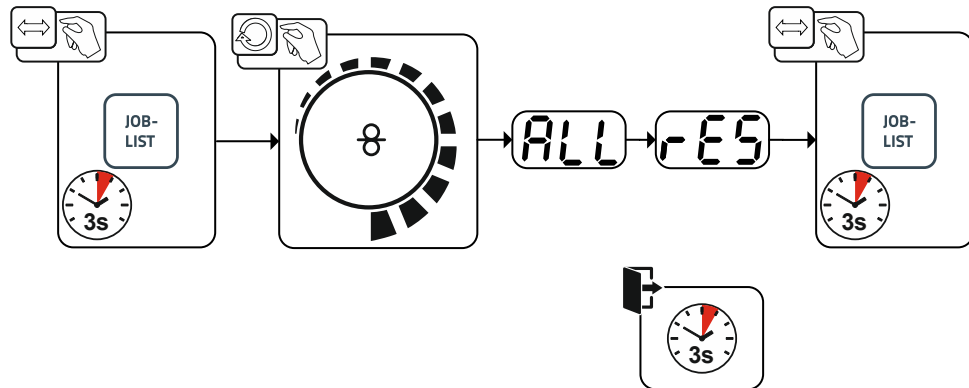


Figure 7-4

Display	Setting/selection
	<b>RESET to factory settings</b> The RESET will be done after pressing the button. The menu will be ended when no changes are done after 3 sec.

## 8 Technical data

### 8.1 Picomig 355 puls TKM

Performance specifications and guarantee only in connection with original spare and replacement parts!

	MIG/MAG	TIG	MMA
Welding current ( $I_2$ )	5 A to 350 A		
Welding voltage according to standard ( $U_2$ )	14,3 V to 31,5 V	10,2 V to 24,0 V	20,2 V to 34,0 V
Duty cycle DC at 40° C <sup>[1]</sup>			
40 %	350 A		
60 %	300 A		
100 %	270 A		
Open circuit voltage ( $U_0$ )	79 V		
Mains voltage (Tolerance)	3 x 400 V (-25 % to +20 %)		
Frequency	50/60 Hz		
mains fuse <sup>[2]</sup>	3 x 16 A		
Mains connection cable	H07RN-F4G2,5		
max. Connected load ( $S_1$ )	13,9 kVA	10,6 kVA	15,0 kVA
Generator rating (Rec.)	20,0 kVA		
Cos $\phi$ / efficiency	0,99 / 88 %		
Protection class / Overvoltage category	I / III		
Contamination level	3		
Insulation class / protection classification	H / IP 23		
Residual current circuit breaker	Type B (recommended)		
Noise level <sup>[3]</sup>	<70 dB(A)		
Ambient temperature <sup>[4]</sup>	-25 °C to +40 °C		
Machine cooling / Torch cooling	Fan (AF) / gas		
Wire feed speed	0,5 m/min to 25m/min		
Factory-installed roll equipment	1,0/1,2 mm for steel wire		
Drive	4 rollers (37 mm)		
Wire spool diameter	Standardised wire spools up to 300 mm		
Welding torch connection	Euro torch connector		
Workpiece lead (min.)	50 mm <sup>2</sup>		
EMC class	A		
Safety marking	☐ CE / ENEC		
Standards used	See declaration of conformity (appliance documents)		
Dimensions (l x b x h)	636 x 298 x 482 mm 25.0 x 11.7 x 19.0 inch		
Weight	34,4 kg 75.8 lb.		

<sup>[1]</sup> Load cycle: 10 min. (60 % DC  $\pm$  6 min. welding, 4 min. pause)

<sup>[2]</sup> Safety fuses are recommended DIAZED xxA gG. When using automatic cutouts, the "C" trigger characteristic must be used.

<sup>[3]</sup> Noise level during idle mode and operation under standard load according to IEC 60974- 1 at the maximum operating point.

<sup>[4]</sup> Ambient temperature dependent on coolant! Observe coolant temperature range!

## 9 Accessories

Performance-dependent accessories like torches, workpiece leads, electrode holders or intermediate hose packages are available from your authorised dealer.

### 9.1.1 Welding torch cooling system

Type	Designation	Item no.
cool50 U40	Cooling module	090-008598-00502
KF 23E-5	Coolant up to -10 °C (14 °F), 5 l	094-000530-00005
KF 23E-200	Coolant (-10 °C), 200 litres	094-000530-00001
KF 37E-5	Coolant up to -20 °C (4 °F), 5 l	094-006256-00005
KF 37E-200	Coolant (-20 °C), 200 l	094-006256-00001
TYP 1	Frost protection tester	094-014499-00000
HOSE BRIDGE UNI	Tube bridge	092-007843-00000

## 9.2 Transport systems

Type	Designation	Item no.
ON TR Trolley 55-5	Cross arm and holder for wire feeder	092-002700-00000
Trolley 35.2-2	Transport vehicle	090-008296-00000
Trolley 39-1	Transport vehicle, power source	090-008708-00000
Trolley 55-5	Transport cart, assembled	090-008632-00000
Trolley 55-6	Transport cart, assembled	090-008825-00000

## 9.3 Remote control/connecting and extension cable

### 9.3.1 19-pole connection

Type	Designation	Item no.
R10 19POL	Remote control	090-008087-00000
RG10 19POL 5M	Remote control to set the wire speed and welding voltage correction	090-008108-00000
RA5 19POL 5M	Remote control e.g. connection cable	092-001470-00005
RA10 19POL 10m	Remote control e.g. connection cable	092-001470-00010
RA20 19POL 20m	Remote control e.g. connection cable	092-001470-00020
RV5M19 19POLE 5M	Extension cable	092-000857-00000
RV5M19 19POL 10M	Extension cable	092-000857-00010
RV5M19 19POL 15M	Extension cable	092-000857-00015
RV5M19 19POL 20M	Extension cable	092-000857-00020

## 9.4 Options

Type	Designation	Item no.
ON Filter TG.0003	Dirt filter	092-002662-00000
ON WAK TG.0003/TG.0004/ TG.0009/ K.0002	Wheel assembly kit	092-001356-00000
ON CS T.005/TG.0003/D.0002	Crane suspension for Picomig 180 / 185 D3 / 305 D3, Phoenix and Taurus 355 compact, drive 4	092-002549-00000
ON Case	Tool box for mounting to trolley Trolley 55-5 / Trolley 55-6	092-002899-00000
ON TH XX5 R	Torch holder, right	092-002699-00000

## 9.5 General accessories

Type	Designation	Item no.
AK300	Wire spool adapter K300	094-001803-00001
CA D200	Centering adapter for 5-kg spools	094-011803-00000
16A 5POLE/CEE	Mains plug	094-000712-00000
DM 842 Ar/CO2 230bar 30l D	Pressure regulator with manometer	394-002910-00030
G1 G1/4 R 3M	Gas hose	094-000010-00003
DSP	Sharpener for liner	094-010427-00000
Cutter	Hose cutter	094-016585-00000
voltConverter 230/400	Voltage converter	090-008800-00502



## 10 Replaceable parts

Performance specifications and guarantee only in connection with original spare and replacement parts!

### 10.1 Wire feed rollers

#### 10.1.1 Wire feed rollers for steel wire

Type	Designation	Item no.
FE 4R 0.6 MM/0.023 INCH LIGHT PINK	Drive roll set, 37 mm, 4 rolls, V-groove for steel, stainless steel and brazing	092-002770-00006
FE 4R 0.8-1.0MM / 0.03-0.04 INCH BLUE/WHITE	Drive roll set, 37 mm, 4 rolls, V-groove for steel, stainless steel and brazing	092-002770-00009
FE 4R 1.0-1.2MM / 0.04-0.045 INCH BLUE/RED	Drive roll set, 37 mm, 4 rolls, V-groove for steel, stainless steel and brazing	092-002770-00011
FE 4R 1.4 MM/0.052 INCH GREEN	Drive roll set, 37 mm, 4 rolls, V-groove for steel, stainless steel and brazing	092-002770-00014
FE 4R 1.6 MM/0.06 INCH BLACK	Drive roll set, 37 mm, 4 rolls, V-groove for steel, stainless steel and brazing	092-002770-00016
FE 4R 2.0 MM/0.08 INCH GREY	Drive roll set, 37 mm, 4 rolls, V-groove for steel, stainless steel and brazing	092-002770-00020
FE 4R 2.4 MM/0.095 INCH BROWN	Drive roll set, 37 mm, 4 rolls, V-groove for steel, stainless steel and brazing	092-002770-00024
FE 4R 2.8 MM/0.11 INCH LIGHT GREEN	Drive roll set, 37 mm, 4 rolls, V-groove for steel, stainless steel and brazing	092-002770-00028
FE 4R 3.2 MM/0.12 INCH VIOLET	Drive roll set, 37 mm, 4 rolls, V-groove for steel, stainless steel and brazing	092-002770-00032

#### 10.1.2 Wire feed rollers for aluminium wire

Type	Designation	Item no.
AL 4R 0.8 MM/0.03 INCH WHITE/YELLOW	Drive roll set, 37 mm, for aluminium	092-002771-00008
AL 4R 1.0 MM/0.04 INCH BLUE/YELLOW	Drive roll set, 37 mm, for aluminium	092-002771-00010
AL 4R 1.2 MM/0.045 INCH RED/YELLOW	Drive roll set, 37 mm, for aluminium	092-002771-00012
AL 4R 1.6 MM/0.06 INCH BLACK/YELLOW	Drive roll set, 37 mm, for aluminium	092-002771-00016
AL 4R 2.0 MM/0.08 INCH GREY/YELLOW	Drive roll set, 37 mm, for aluminium	092-002771-00020
AL 4R 2.4 MM/0.095 INCH BROWN/YELLOW	Drive roll set, 37 mm, for aluminium	092-002771-00024
AL 4R 2.8 MM/0.110 INCH LIGHT GREEN/YELLOW	Drive roll set, 37 mm, for aluminium	092-002771-00028
AL 4R 3.2 MM/0.125 INCH VIOLET/YELLOW	Drive roll set, 37 mm, for aluminium	092-002771-00032

## 10.1.3 Wire feed rollers for cored wire

Type	Designation	Item no.
FUEL 4R 0.8 MM/0.03 INCH WHITE/ORANGE	Drive roll set, 37 mm, 4 rolls, V-groove/knurled for flux cored wire	092-002848-00008
FUEL 4R 1.0 MM/0.04 INCH BLUE/ORANGE	Drive roll set, 37 mm, 4 rolls, V-groove/knurled for flux cored wire	092-002848-00010
FUEL 4R 1.2 MM/0.045 INCH RED/ORANGE	Drive roll set, 37 mm, 4 rolls, V-groove/knurled for flux cored wire	092-002848-00012
FUEL 4R 1.4 MM/0.052 INCH GREEN/ORANGE	Drive roll set, 37 mm, 4 rolls, V-groove/knurled for flux cored wire	092-002848-00014
FUEL 4R 1.6 MM/0.06 INCH BLACK/ORANGE	Drive roll set, 37 mm, 4 rolls, V-groove/knurled for flux cored wire	092-002848-00016
FUEL 4R 2.0 MM/0.08 INCH GREY/ORANGE	Drive roll set, 37 mm, 4 rolls, V-groove/knurled for flux cored wire	092-002848-00020
FUEL 4R 2.4 MM/0.095 INCH BROWN/ORANGE	Drive roll set, 37 mm, 4 rolls, V-groove/knurled for flux cored wire	092-002848-00024

## 10.1.4 Wire guide

Type	Designation	Item no.
DV X	Wire feed roll mount set	092-002960-E0000
SET DRAHTFUERUNG	Wire guide set	092-002774-00000
ON WF 2,0-3,2MM EFEED	Retrofitting option, wire guide for 2.0–3.2 mm wires, eFeed drive	092-019404-00000
SET IG 4x4 1.6mm BL	Inlet guide set	092-002780-00000
GUIDE TUBE L105	Guide tube	094-006051-00000
CAPTUB L=107 mm; Ø ≤ 1,6 mm	Capillary tube	094-006634-00000
CAPTUB L=105 mm; Ø ≤ 2,4 mm	Capillary tube	094-021470-00000

# 11 Appendix

## 11.1 JOB-List

ewm®		JOB-LIST		094-019170-00500			
Material	Gas	Wire				Job-Nr.	
		0,8	0,9	1,0	1,2		
SG2/3 G3/4 Si1	CO <sub>2</sub> 100 / C1	1	2	3	4		
	Ar80-90 / M2	6	7	8	9		
CrNi	Ar91-99 / M12-M13	34		35	36		
	Ar/He / I3	42		43	44		
CuSi Löten / Brazing	Ar100 / I1	114		115	116		
	Ar91-99 / M12-M13	110		111	112		
CuAl Löten / Brazing	Ar100 / I1	122		123	124		
	Ar91-99 / M12-M13	118		119	120		
AlMg	Ar100 / I1	74		75	76		
	Ar/He / I3	78		79	80		
AlSi	Ar100 / I1	82		83	84		
	Ar/He / I3	86		87	88		
Al99	Ar100 / I1	90		91	92		
	Ar/He / I3	94		95	96		

ewm®		JOB-LIST		094-021250-00500			
Material	Gas	Wire				Job-Nr.	
		0,8	0,9	1,0	1,2		
SG2/3 G3/4 Si1	Ar-82/CO <sub>2</sub> -18 M21	189		179			
	Ar-90/CO <sub>2</sub> -10 M20	190		254			

ewm®		JOB-LIST		094-019170-00500			
Material	Gas	Wire				Job-Nr.	
		0,8	0,9	1,0	1,2		
SG2/3 G3/4 Si1 Metal	Ar80-90 / M2	235		237	238		
SG2/3 G3/4 Si1 Rutil / Basic	Ar80-90 / M2	240		242	243		
CrNi Metal	Ar91-99 / M12-M13	227		228	229		
CrNi Rutil / Basic	Ar98/2 / M13	231		232	233		
	Ar92/8 / M22	210		211	212		

ewm®		JOB-LIST		094-019170-00500			
Material	Gas	Wire				Job-Nr.	
		0,9	1,0	1,1	1,2		
E71T-11	Self-Shielded	172		171	170		

ewm®		JOB-LIST		094-019170-00500			
Material	Gas	Wire				Job-Nr.	
		0,8	0,9	1,0	1,2		
SG2/3 G3/4 Si1	CO <sub>2</sub> 100 / C1			204	205		
	Ar80-90 / M2			206	207		

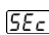
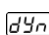

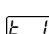
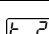
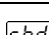
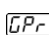
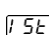
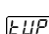
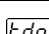
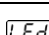
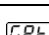
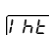
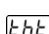

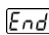
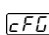
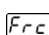
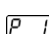
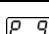
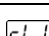
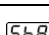
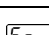
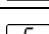
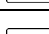
  

GMAW non synergic	188
WIG / TIG	127
E-Hand / MMA	128

Figure 11-1

MIG/MAG pulse arc welding can be selected with JOBS 6–9, 34–36, 42–44, 74–76, 78–80, 82–84, 86–88, 90–92, 94–96, 110–112, 114–116, 118–120, 122–124, 179, 206, 207, 235–238 and 254. If an attempt is made to set another JOB to pulse, "noP" = "no Pulse" appears briefly on the display and the machine is reset to default.

## 11.2 Parameter overview – setting ranges

Welding data display (3-digit)	Parameters/function	Setting range			
		Standard (ex works)	Min.	Max.	Unit
<b>MIG/MAG</b>					
	Gas pre-flow time	0,5	0,0 - 20,0	s	
	Dynamic correction		-40 - 40		
	Gas post-flow time	0,5	0,0 - 20,0	s	
	Spot time	2	0,1 - 20,0	s	
	Pause time (interval)	2	0,1 - 20,0	s	
	Wire burn-back		0 - 499		
<b>TIG</b>					
	Gas pre-flow time	0,5	0,0 - 20,0	s	
	Ignition current		0,0 - 20,0	s	
	Up-slope time	1	0,0 - 20,0	s	
	Down-slope time		0,0 - 20,0	s	
	End current	20	1 - 200	%	
	Gas post-flow time	0,5	0,0 - 20,0	s	
<b>MMA</b>					
	Hot start current		0,0 - 20,0	%	
	Hot start time	0,5	0,1 - 20,0	s	
<b>Basic parameters (independent of procedure)</b>					
	Calibration				
	Exit menu				
	Machine configuration				
	Remote control encoding	0	0 - 15		
	Wire inching ramp time	1	0 - 1		
	Tapping start for latched and special latched operation	0	0 - 1		
	Cable resistance 1	8	0 - 60	mΩ	
	Time-based power-saving mode	off	5 - 60	min.	
	Service menu				
	Software version of the machine control				
	Power-saving mode active				

### 11.3 Searching for a dealer

Sales & service partners  
[www.ewm-group.com/en/specialist-dealers](http://www.ewm-group.com/en/specialist-dealers)



"More than 400 EWM sales partners worldwide"