



EN

Retrofit option

ON PS drive 41L F.0005

ON DK drive 4L Wega 501/601

Pivot support - Wire feeder pivots 360° on the welding machine

099-002113-EW501

Observe additional system documents!

13.03.2019

**Register now
and benefit!
Jetzt Registrieren
und Profitieren!**

www.ewm-group.com



General instructions

WARNING



Read the operating instructions!

The operating instructions provide an introduction to the safe use of the products.

- Read and observe the operating instructions for all system components, especially the safety instructions and warning notices!
- Observe the accident prevention regulations and any regional regulations!
- The operating instructions must be kept at the location where the machine is operated.
- Safety and warning labels on the machine indicate any possible risks. Keep these labels clean and legible at all times.
- The machine has been constructed to state-of-the-art standards in line with any applicable regulations and industrial standards. Only trained personnel may operate, service and repair the machine.
- Technical changes due to further development in machine technology may lead to a differing welding behaviour.

In the event of queries on installation, commissioning, operation or special conditions at the installation site, or on usage, please contact your sales partner or our customer service department on +49 2680 181-0.

A list of authorised sales partners can be found at www.ewm-group.com/en/specialist-dealers.

Liability relating to the operation of this equipment is restricted solely to the function of the equipment. No other form of liability, regardless of type, shall be accepted. This exclusion of liability shall be deemed accepted by the user on commissioning the equipment.

The manufacturer is unable to monitor whether or not these instructions or the conditions and methods are observed during installation, operation, usage and maintenance of the equipment.

An incorrectly performed installation can result in material damage and injure persons as a result. For this reason, we do not accept any responsibility or liability for losses, damages or costs arising from incorrect installation, improper operation or incorrect usage and maintenance or any actions connected to this in any way.

© EWM AG

Dr. Günter-Henle-Strasse 8
56271 Mündersbach Germany
Tel.: +49 2680 181-0, Fax: -244
Email: info@ewm-group.com

www.ewm-group.com

The copyright to this document remains the property of the manufacturer.


Copying, including extracts, only permitted with written approval.

The content of this document has been prepared and reviewed with all reasonable care. The information provided is subject to change; errors excepted.

1 For your safety


1.1 Safety instructions

⚠ WARNING



Do not carry out any unauthorised repairs or modifications!
To avoid injury and equipment damage, the unit must only be repaired or modified by specialist, skilled persons!
The warranty becomes null and void in the event of unauthorised interference.

- Appoint only skilled persons for repair work (trained service personnel)!



Risk of accidents due to non-compliance with the safety instructions!
Non-compliance with the safety instructions can be fatal!

- Carefully read the safety instructions in this manual!
- Observe the accident prevention regulations and any regional regulations!
- Inform persons in the working area that they must comply with the regulations!


These supplementary sheets must be used in conjunction with the appropriate standard operating instructions for the described product! These supplementary sheets expand or replace one or more chapters of the same name(s) in the standard description.

Read and observe the operating instructions for all system components, especially the safety instructions!

2 Intended use

2.1 General

⚠ WARNING



Hazards due to improper usage!
The machine has been constructed to the state of the art and any regulations and standards applicable for use in industry and trade. It may only be used for the welding procedures indicated at the rating plate. Hazards may arise for persons, animals and material objects if the equipment is not used correctly. No liability is accepted for any damages arising from improper usage!

- The equipment must only be used in line with its designated purpose and by trained or expert personnel!
- Do not improperly modify or convert the equipment!

2.2 Applications

Wire feed unit Type Wega drive 41L acceptance.
 Turnable attachment of the wire feed unit on the welding machine

2.3 Use and operation solely with the following machines

	Wega 351, 401, 451	Wega 501, 601
ON PS drive 41L F.0005	<input checked="" type="checkbox"/>	<input type="checkbox"/>
ON DK drive 41L Wega 501/601	<input type="checkbox"/>	<input checked="" type="checkbox"/>

- possible
- not possible

3 Conversion

3.1 Parts list

Before conversion, check that the retrofit kit is complete (see parts list).

3.1.1 ON PS drive 41L F.0005

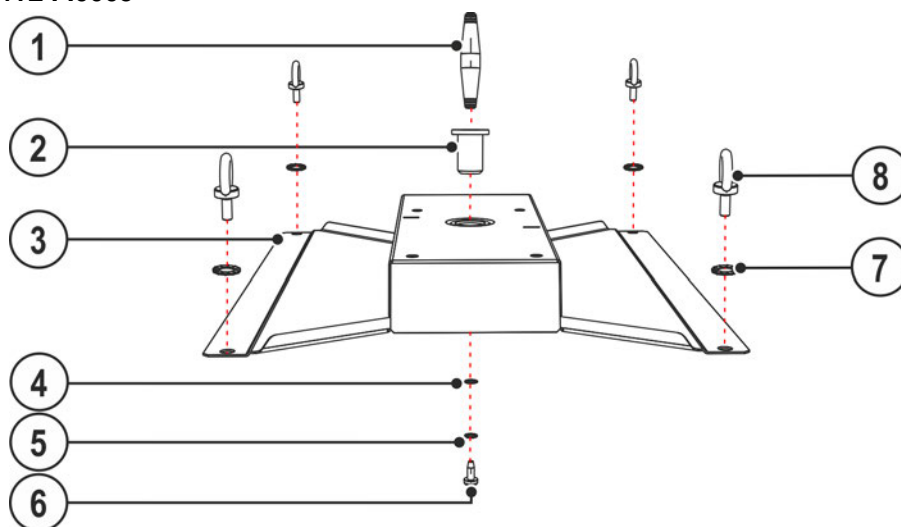


Figure 3-1

Item	Quantity	Description	Item number
1	1	Threaded press arbor	094-007483-00006
2	1	Press arbor guide bushing (socket is pressed into the metal sheet)	094-007371-00004
3	1	094-010363-00003	094-010363-00004
4	1	Plain washer M6	064-000583-00000
5	1	Fan-type lock washer M6	064-000591-00000
6	1	hexagon screw M6 x 20	064-000670-00000
7	4	Fan-type lock washer M10	064-000563-00000
8	4	Lifting eye M10 x 25	094-000209-00001

3.1.2 ON°DK°drive°41L°Wega°501/601

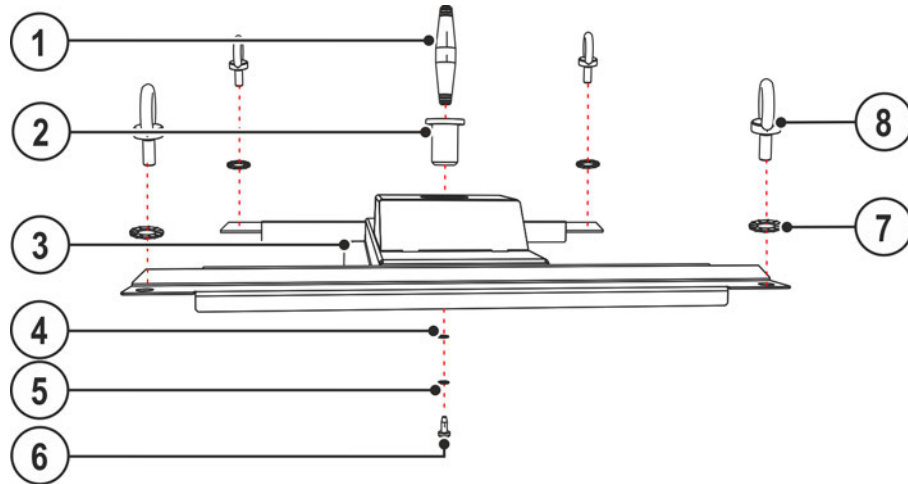


Figure 3-2

Item	Quantity	Description	Item number
1	1	Threaded press arbor	094-007483-00006
2	1	Press arbor guide bushing (socket is pressed into the metal sheet)	094-007371-00004
3	1	094-010363-00003	094-010363-00004
4	1	Plain washer M6	064-000583-00000
5	1	Fan-type lock washer M6	064-000591-00000
6	1	hexagon screw M6 x 20	064-000670-00000
7	4	Fan-type lock washer M10	064-000563-00000
8	4	Lifting eye M10 x 25	094-000209-00001

3.2 Assembly

3.2.1 Screwing the press arbor onto the cross arm

⚠ CAUTION



Risk of injury due to insufficiently fixed turning mandrel!
The fitted wire feed unit may tilt and cause injuries to persons due to an insufficiently fixed turning mandrel!

- Securely fasten turning mandrel with hexagonal screw!
- Secure hexagonal screw with provided fan-type lock washer!

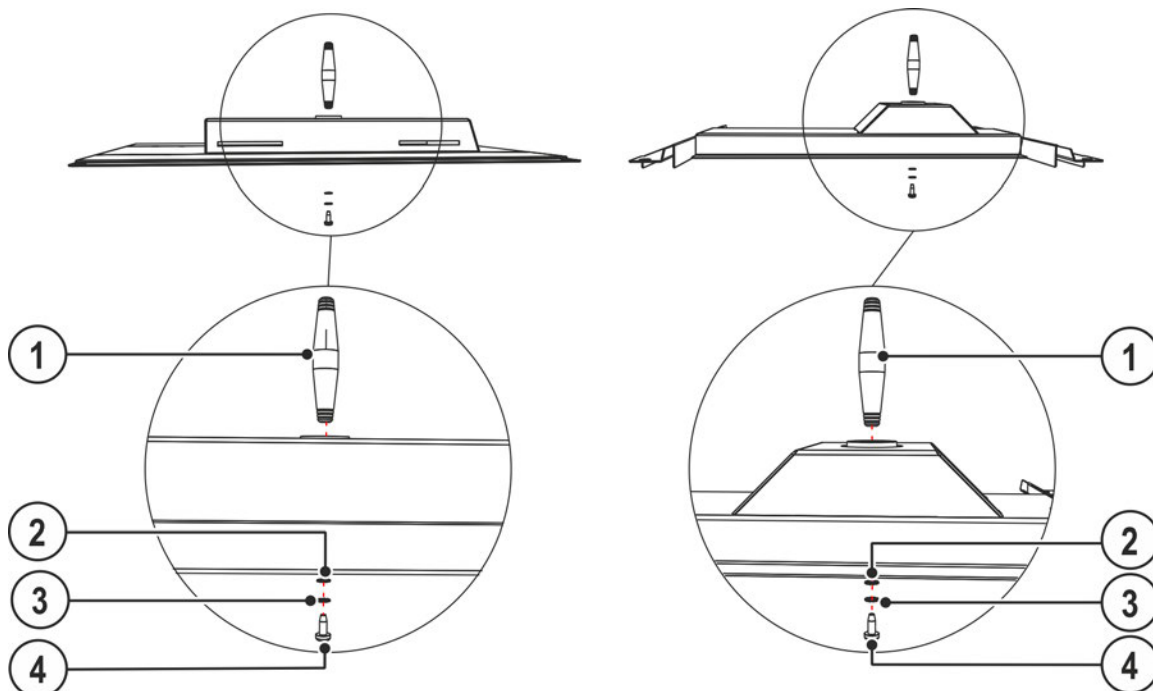


Figure 3-3

Pos.	Description	ON PS°drive°41L °F.0005 092-002113-00000	ON DK drive 41L Wega 501/601 092-002635-00000	Quantity
1	Threaded press arbor	094-007483-00005		1
2	Plain washer	064-000583-00000		1
3	Fan-type lock washer	064-000591-00000		1
4	Hexagon screw	064-000670-00000		1

- Insert the press arbor into the cross arm through the guide bushing (threaded hole in the press arbor is pointing downwards).
- Screw the press arbor onto the plain washer, fan-type lock washer and screw.

3.2.2 Fitting the adapter plate

⚠ WARNING**Risk of injury due to unsuitable lifting eye!****In case of improper use of lifting eyes or the use of unsuitable lifting eyes, persons can be seriously damaged by falling equipment or add-on components!**

- The lifting eye must be completely screwed in!
- The lifting eye must be positioned flat onto and in full contact with the supporting surfaces!
- Check that the lifting eyes are securely fastened before use and check for any damage (corrosion, deformation)!
- Do not use or screw in damaged lifting eyes!
- Avoid lateral loading of the lifting eyes!

3.2.2.1 ON PS drive 41L F.0005

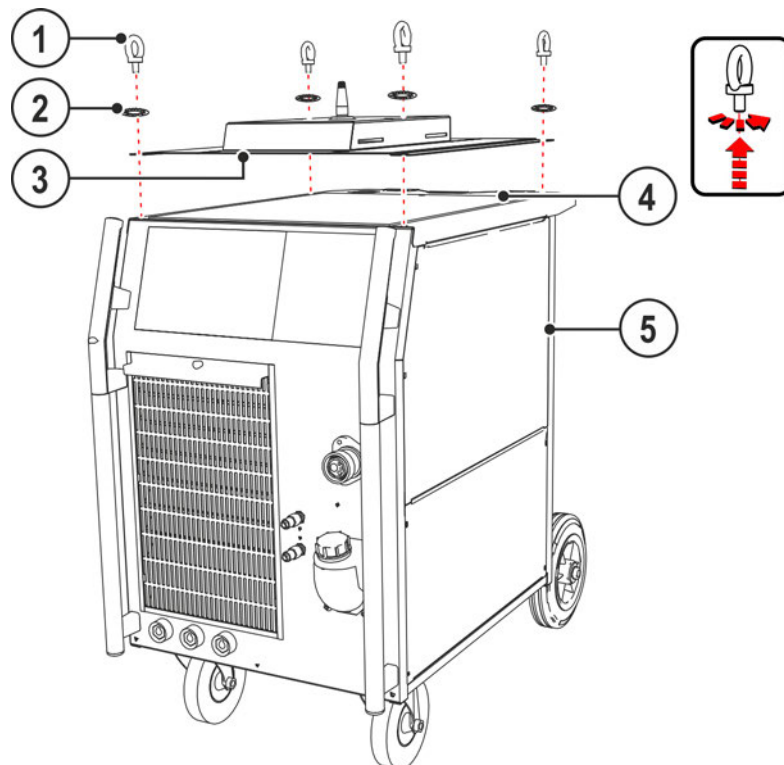


Figure 3-4

Item	Symbol	Description
1		Lifting eyes
2		Fan-type lock washers
3		Hold-down fitting for welding machine
4		Casing cover
5		Wega 351, 401, 451

- Unscrew lifting eye.
- Position the adapter plate on the machine.
- Connect the adapter plate to the welding machine using the long lifting eyes (M10 x 25) and the fan-type lock washers of this kit.

3.2.2.2 ON DK drive 41L Wega 501/601

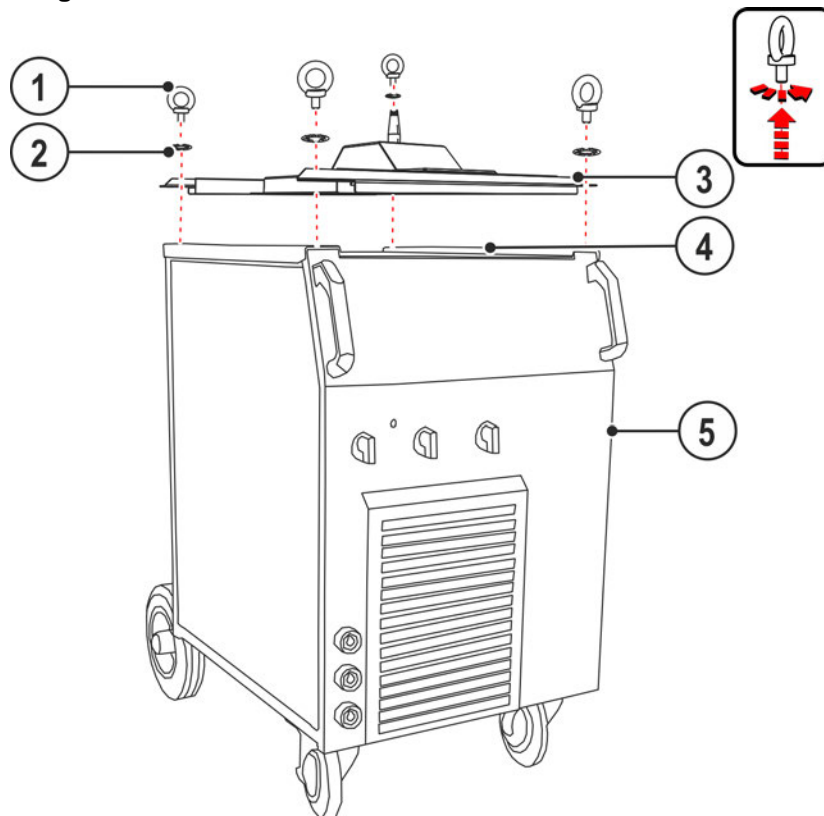


Figure 3-5

Item	Symbol	Description
1		Lifting eyes
2		Fan-type lock washers
3		Hold-down fitting for welding machine
4		Casing cover
5		Wega 501, -601

- Unscrew lifting eye.
- Position the adapter plate on the machine.
- Connect the adapter plate to the welding machine using the long lifting eyes (M10 x 25) and the fan-type lock washers of this kit.

3.3 Final inspection

WARNING



Danger due to failure to carry out the final inspection!

Parts that are incorrectly fitted or that become loose are a source of danger.

- Check all mechanical connections to ensure that they are fitted correctly!
- Carry out the final inspection!
- Carry out the functional test!

Keep the conversion instructions with the machine documentation!

When ordering spare parts, ensure that the item number and serial number of the machine are quoted!

4 Technical data

The technical data given here completes or replaces the respective values in the standard operating instructions.

	ON PS drive 41L F.0005	ON DK drive 41L Wega 501/601
Weight	+5,5 kg 12,13 lb	+4 kg 8,82 lb