



**EN**

## Welding machine

Pico 220 cel puls

Pico 220 cel puls vrd (AUS)

Pico 220 cel puls vrd (RU)

099-002057-EW501

Observe additional system documents!

27.01.2021

**Register now  
and benefit!  
Jetzt Registrieren  
und Profitieren!**

[www.ewm-group.com](http://www.ewm-group.com)



## General instructions

### **WARNING**



#### **Read the operating instructions!**

**The operating instructions provide an introduction to the safe use of the products.**

- Read and observe the operating instructions for all system components, especially the safety instructions and warning notices!
- Observe the accident prevention regulations and any regional regulations!
- The operating instructions must be kept at the location where the machine is operated.
- Safety and warning labels on the machine indicate any possible risks. Keep these labels clean and legible at all times.
- The machine has been constructed to state-of-the-art standards in line with any applicable regulations and industrial standards. Only trained personnel may operate, service and repair the machine.
- Technical changes due to further development in machine technology may lead to a differing welding behaviour.

**In the event of queries on installation, commissioning, operation or special conditions at the installation site, or on usage, please contact your sales partner or our customer service department on +49 2680 181-0.**

**A list of authorised sales partners can be found at [www.ewm-group.com/en/specialist-dealers](http://www.ewm-group.com/en/specialist-dealers).**

Liability relating to the operation of this equipment is restricted solely to the function of the equipment. No other form of liability, regardless of type, shall be accepted. This exclusion of liability shall be deemed accepted by the user on commissioning the equipment.

The manufacturer is unable to monitor whether or not these instructions or the conditions and methods are observed during installation, operation, usage and maintenance of the equipment.

An incorrectly performed installation can result in material damage and injure persons as a result. For this reason, we do not accept any responsibility or liability for losses, damages or costs arising from incorrect installation, improper operation or incorrect usage and maintenance or any actions connected to this in any way.

#### **© EWM AG**

Dr. Günter-Henle-Strasse 8  
56271 Mündersbach Germany  
Tel.: +49 2680 181-0, Fax: -244  
Email: [info@ewm-group.com](mailto:info@ewm-group.com)  
**[www.ewm-group.com](http://www.ewm-group.com)**

The copyright to this document remains the property of the manufacturer.

Copying, including extracts, only permitted with written approval.

The content of this document has been prepared and reviewed with all reasonable care. The information provided is subject to change; errors excepted.

# 1 Contents

<b>1</b>	<b>Contents</b> .....	<b>3</b>
<b>2</b>	<b>For your safety</b> .....	<b>5</b>
2.1	Notes on using these operating instructions.....	5
2.2	Explanation of icons.....	6
2.3	Safety instructions.....	7
2.4	Transport and installation .....	10
<b>3</b>	<b>Intended use</b> .....	<b>12</b>
3.1	Applications.....	12
3.2	Software version .....	12
3.3	Documents which also apply .....	12
3.3.1	Warranty .....	12
3.3.2	Declaration of Conformity.....	12
3.3.3	Welding in environments with increased electrical hazards.....	12
3.3.4	Service documents (spare parts and circuit diagrams).....	12
3.3.5	Calibration/Validation .....	12
<b>4</b>	<b>Machine description – quick overview</b> .....	<b>13</b>
4.1	Front view .....	13
4.2	Rear view .....	14
4.3	Machine control – Operating elements .....	15
<b>5</b>	<b>Design and function</b> .....	<b>16</b>
5.1	Transport and installation .....	16
5.1.1	Machine cooling.....	16
5.1.2	Workpiece lead, general.....	16
5.1.3	Ambient conditions .....	16
5.1.3.1	In operation .....	16
5.1.3.2	Transport and storage.....	16
5.1.4	Transport belt .....	17
5.1.4.1	Adjusting the length of the carrying strap .....	17
5.1.5	Notes on the installation of welding current leads.....	17
5.1.6	Stray welding currents.....	18
5.1.7	Mains connection.....	19
5.1.7.1	Mains configuration .....	19
5.2	MMA welding .....	20
5.2.1	Connecting the electrode holder and workpiece lead .....	20
5.2.2	Welding task selection.....	21
5.2.3	Hotstart .....	22
5.2.4	Arcforce .....	22
5.2.5	Antistick .....	22
5.2.6	Average value pulse welding.....	23
5.2.7	Expert menu (MMA) .....	24
5.3	TIG welding.....	24
5.3.1	Shielding gas supply (shielding gas cylinder for welding machine) .....	24
5.3.1.1	Connecting the shielding gas supply .....	25
5.3.2	Connecting a TIG welding torch with rotating gas valve .....	25
5.3.3	Welding task selection.....	26
5.3.4	Arc ignition.....	26
5.3.4.1	Liftarc .....	26
5.3.5	Average value pulse welding.....	27
5.3.6	Expert menu (TIG).....	28
5.3.7	Dirt filter .....	29
5.4	Remote control.....	29
5.4.1	RT1 19POL.....	29
5.4.2	RTG1 19POL.....	29
5.4.3	RTF1 19POL .....	29
5.5	Power-saving mode (Standby) .....	30
5.6	Arc length restriction (USP) .....	30
5.7	Voltage reducing device .....	30
5.8	Machine configuration menu.....	31

<b>6</b>	<b>Maintenance, care and disposal</b>	<b>32</b>
6.1	General	32
6.1.1	Cleaning	32
6.1.2	Dirt filter	32
6.2	Maintenance work, intervals	33
6.2.1	Daily maintenance tasks	33
6.2.2	Monthly maintenance tasks	33
6.2.3	Annual test (inspection and testing during operation)	33
6.3	Disposing of equipment	34
<b>7</b>	<b>Rectifying faults</b>	<b>35</b>
7.1	Checklist for rectifying faults	35
7.2	Error messages (power source)	35
7.3	Display machine control software version	36
7.4	Resetting welding parameters to the factory settings	37
<b>8</b>	<b>Technical data</b>	<b>38</b>
8.1	Pico 220 cel puls	38
<b>9</b>	<b>Accessories</b>	<b>39</b>
9.1	Transport system	39
9.2	19-pole remote control	39
9.2.1	Connection cables	39
9.2.2	Extension cable	39
9.3	Options	39
9.4	General accessories	39
<b>10</b>	<b>Appendix</b>	<b>40</b>
10.1	Parameter overview	40
10.1.1	MMA welding	40
10.1.2	TIG welding	40
10.1.3	Basic parameters (independent of process)	41
10.2	Searching for a dealer	42

## 2 For your safety

### 2.1 Notes on using these operating instructions

#### **DANGER**

**Working or operating procedures which must be closely observed to prevent imminent serious and even fatal injuries.**

- Safety notes include the "DANGER" keyword in the heading with a general warning symbol.
- The hazard is also highlighted using a symbol on the edge of the page.

#### **WARNING**

**Working or operating procedures which must be closely observed to prevent serious and even fatal injuries.**

- Safety notes include the "WARNING" keyword in the heading with a general warning symbol.
- The hazard is also highlighted using a symbol in the page margin.

#### **CAUTION**

**Working or operating procedures which must be closely observed to prevent possible minor personal injury.**

- The safety information includes the "CAUTION" keyword in its heading with a general warning symbol.
- The risk is explained using a symbol on the edge of the page.



**Technical aspects which the user must observe to avoid material or equipment damage.**

Instructions and lists detailing step-by-step actions for given situations can be recognised via bullet points, e.g.:

- Insert the welding current lead socket into the relevant socket and lock.

## 2.2 Explanation of icons

Symbol	Description	Symbol	Description
	Indicates technical aspects which the user must observe.		Activate and release / Tap / Tip
	Switch off machine		Release
	Switch on machine		Press and hold
			Switch
	Incorrect / Invalid		Turn
	Correct / Valid		Numerical value – adjustable
	Input		Signal light lights up in green
	Navigation		Signal light flashes green
	Output		Signal light lights up in red
	Time representation (e.g.: wait 4 s / actuate)		Signal light flashes red
	Interruption in the menu display (other setting options possible)		
	Tool not required/do not use		
	Tool required/use		

## 2.3 Safety instructions

### **WARNING**



**Risk of accidents due to non-compliance with the safety instructions!**  
**Non-compliance with the safety instructions can be fatal!**

- Carefully read the safety instructions in this manual!
- Observe the accident prevention regulations and any regional regulations!
- Inform persons in the working area that they must comply with the regulations!



**Risk of injury from electrical voltage!**

**Voltages can cause potentially fatal electric shocks and burns on contact. Even low voltages can cause a shock and lead to accidents.**

- Never touch live components such as welding current sockets or stick, tungsten or wire electrodes!
- Always place torches and electrode holders on an insulated surface!
- Wear the full personal protective equipment (depending on the application)!
- The machine may only be opened by qualified personnel!
- The device must not be used to defrost pipes!



**Hazard when interconnecting multiple power sources!**

**If a number of power sources are to be connected in parallel or in series, only a technical specialist may interconnect the sources as per standard IEC 60974-9:2010: Installation and use and German Accident Prevention Regulation BVG D1 (formerly VBG 15) or country-specific regulations.**

**Before commencing arc welding, a test must verify that the equipment cannot exceed the maximum permitted open circuit voltage.**

- Only qualified personnel may connect the machine.
- When taking individual power sources out of operation, all mains and welding current leads must be safely disconnected from the welding system as a whole. (Hazard due to reverse polarity voltage!)
- Do not interconnect welding machines with pole reversing switch (PWS series) or machines for AC welding since a minor error in operation can cause the welding voltages to be combined, which is not permitted.



**Risk of injury due to radiation or heat!**

**Arc radiation can lead to skin and eye injuries.**

**Contact with hot workpieces and sparks can lead to burns.**

- Use hand shield or welding helmet with the appropriate safety level (depends on the application).
- Wear dry protective clothing (e.g. hand shield, gloves, etc.) in accordance with the applicable regulations of your country.
- Persons who are not directly involved should be protected with a welding curtain or suitable safety screen against radiation and the risk of blinding!

## **WARNING**



### **Risk of injury due to improper clothing!**

**During arc welding, radiation, heat and voltage are sources of risk that cannot be avoided. The user has to be equipped with the complete personal protective equipment at all times. The protective equipment has to include:**

- Respiratory protection against hazardous substances and mixtures (fumes and vapours); otherwise implement suitable measures such as extraction facilities.
- Welding helmet with proper protection against ionizing radiation (IR and UV radiation) and heat.
- Dry welding clothing (shoes, gloves and body protection) to protect against warm environments with conditions comparable to ambient temperatures of 100 °C or higher and arcing and work on live components.
- Hearing protection against harming noise.



### **Explosion risk!**

**Apparently harmless substances in closed containers may generate excessive pressure when heated.**

- Move containers with inflammable or explosive liquids away from the working area!
- Never heat explosive liquids, dusts or gases by welding or cutting!



### **Fire hazard!**

**Due to the high temperatures, sparks, glowing parts and hot slag that occur during welding, there is a risk of flames.**

- Be watchful of potential sources of fire in the working area!
- Do not carry any easily inflammable objects, e.g. matches or lighters.
- Ensure suitable fire extinguishers are available in the working area!
- Thoroughly remove any residue of flammable materials from the workpiece prior to starting to weld.
- Only further process workpieces after they have cooled down. Do not allow them to contact any flammable materials!



**⚠ CAUTION****Smoke and gases!**

**Smoke and gases can lead to breathing difficulties and poisoning. In addition, solvent vapour (chlorinated hydrocarbon) may be converted into poisonous phosgene due to the ultraviolet radiation of the arc!**

- Ensure that there is sufficient fresh air!
- Keep solvent vapour away from the arc beam field!
- Wear suitable breathing apparatus if appropriate!

**Noise exposure!**

**Noise exceeding 70 dBA can cause permanent hearing damage!**

- Wear suitable ear protection!
- Persons located within the working area must wear suitable ear protection!



**According to IEC 60974-10, welding machines are divided into two classes of electromagnetic compatibility (the EMC class can be found in the Technical data) > see 8 chapter:**



**Class A** machines are not intended for use in residential areas where the power supply comes from the low-voltage public mains network. When ensuring the electromagnetic compatibility of class A machines, difficulties can arise in these areas due to interference not only in the supply lines but also in the form of radiated interference.



**Class B** machines fulfil the EMC requirements in industrial as well as residential areas, including residential areas connected to the low-voltage public mains network.

**Setting up and operating**

When operating arc welding systems, in some cases, electro-magnetic interference can occur although all of the welding machines comply with the emission limits specified in the standard. The user is responsible for any interference caused by welding.

In order to **evaluate** any possible problems with electromagnetic compatibility in the surrounding area, the user must consider the following: (see also EN 60974-10 Appendix A)

- Mains, control, signal and telecommunication lines
- Radios and televisions
- Computers and other control systems
- Safety equipment
- The health of neighbouring persons, especially if they have a pacemaker or wear a hearing aid
- Calibration and measuring equipment
- The immunity to interference of other equipment in the surrounding area
- The time of day at which the welding work must be carried out

**Recommendations for reducing interference emission**

- Mains connection, e.g. additional mains filter or shielding with a metal tube
- Maintenance of the arc welding system
- Welding leads should be as short as possible and run closely together along the ground
- Potential equalization
- Earthing of the workpiece. In cases where it is not possible to earth the workpiece directly, it should be connected by means of suitable capacitors.
- Shielding from other equipment in the surrounding area or the entire welding system

**Electromagnetic fields!**

**The power source may cause electrical or electromagnetic fields to be produced which could affect the correct functioning of electronic equipment such as IT or CNC devices, telecommunication lines, power cables, signal lines and pacemakers.**



- Observe the maintenance instructions > see 6.2 chapter!
- Unwind welding leads completely!
- Shield devices or equipment sensitive to radiation accordingly!
- The correct functioning of pacemakers may be affected (obtain advice from a doctor if necessary).

## CAUTION



### Obligations of the operator!

**The respective national directives and laws must be complied with when operating the machine!**

- Implementation of national legislation relating to framework directive 89/391/EEC on the introduction of measures to encourage improvements in the safety and health of workers at work and associated individual guidelines.
- In particular, directive 89/655/EEC concerning the minimum safety and health requirements for the use of work equipment by workers at work.
- The regulations applicable to occupational safety and accident prevention in the country concerned.
- Setting up and operating the machine as per IEC 60974.-9.
- Brief the user on safety-conscious work practices on a regular basis.
- Regularly inspect the machine as per IEC 60974.-4.



***The manufacturer's warranty becomes void if non-genuine parts are used!***

- ***Only use system components and options (power sources, welding torches, electrode holders, remote controls, spare parts and replacement parts, etc.) from our range of products!***
- ***Only insert and lock accessory components into the relevant connection socket when the machine is switched off.***

### Requirements for connection to the public mains network

High-performance machines can influence the mains quality by taking current from the mains network. For some types of machines, connection restrictions or requirements relating to the maximum possible line impedance or the necessary minimum supply capacity at the interface with the public network (Point of Common Coupling, PCC) can therefore apply. In this respect, attention is also drawn to the machines' technical data. In this case, it is the responsibility of the operator, where necessary in consultation with the mains network operator, to ensure that the machine can be connected.

## 2.4 Transport and installation

## WARNING



### Risk of injury due to improper handling of shielding gas cylinders!

**Improper handling and insufficient securing of shielding gas cylinders can cause serious injuries!**

- Observe the instructions from the gas manufacturer and any relevant regulations concerning the use of compressed air!
- Do not attach any element to the shielding gas cylinder valve!
- Prevent the shielding gas cylinder from heating up.

**⚠ CAUTION****Risk of accidents due to supply lines!**

During transport, attached supply lines (mains leads, control cables, etc.) can cause risks, e.g. by causing connected machines to tip over and injure persons!

- Disconnect all supply lines before transport!

**Risk of tipping!**

There is a risk of the machine tipping over and injuring persons or being damaged itself during movement and set up. Tilt resistance is guaranteed up to an angle of 10° (according to IEC 60974-1).

- Set up and transport the machine on level, solid ground.
- Secure add-on parts using suitable equipment.

**Risk of accidents due to incorrectly installed leads!**

Incorrectly installed leads (mains, control and welding leads or intermediate hose packages) can present a tripping hazard.

- Lay the supply lines flat on the floor (avoid loops).
- Avoid laying the leads on passage ways.

**Risk of injury from heated coolant and its connections!**

The coolant used and its connection or connection points can heat up significantly during operation (water-cooled version). When opening the coolant circuit, escaping coolant may cause scalding.

- Open the coolant circuit only when the power source or cooling unit is switched off!
- Wear proper protective equipment (protective gloves)!
- Seal open connections of the hose leads with suitable plugs.



***The units are designed for operation in an upright position!***

***Operation in non-permissible positions can cause equipment damage.***

- ***Only transport and operate in an upright position!***



***Accessory components and the power source itself can be damaged by incorrect connection!***

- ***Only insert and lock accessory components into the relevant connection socket when the machine is switched off.***
- ***Comprehensive descriptions can be found in the operating instructions for the relevant accessory components.***
- ***Accessory components are detected automatically after the power source is switched on.***



***Protective dust caps protect the connection sockets and therefore the machine against dirt and damage.***

- ***The protective dust cap must be fitted if there is no accessory component being operated on that connection.***
- ***The cap must be replaced if faulty or if lost!***

## 3 Intended use

### **WARNING**



#### **Hazards due to improper usage!**

The machine has been constructed to the state of the art and any regulations and standards applicable for use in industry and trade. It may only be used for the welding procedures indicated at the rating plate. Hazards may arise for persons, animals and material objects if the equipment is not used correctly. No liability is accepted for any damages arising from improper usage!

- The equipment must only be used in line with its designated purpose and by trained or expert personnel!
- Do not improperly modify or convert the equipment!

### 3.1 Applications

Arc welding machine for MMA DC welding with TIG DC welding with lift arc (touch starting) as secondary process.

### 3.2 Software version

These instructions apply to the following software version:

0.5.9.0

The software version of the machine control can be displayed in the machine configuration menu (menu Srv) > see 5.8 chapter.

### 3.3 Documents which also apply

#### 3.3.1 Warranty

For more information refer to the "Warranty registration" brochure supplied and our information regarding warranty, maintenance and testing at [www.ewm-group.com](http://www.ewm-group.com)!

#### 3.3.2 Declaration of Conformity



This product corresponds in its design and construction to the EU directives listed in the declaration. The product comes with a relevant declaration of conformity in the original.

The manufacturer recommends carrying out the safety inspection according to national and international standards and guidelines every 12 months.

#### 3.3.3 Welding in environments with increased electrical hazards



Power sources with this marking can be used for welding in an environment with increased electrical hazard (e.g. boilers). For this purpose, appropriate national or international regulations must be followed. The power source must not be placed in the danger zone!

#### 3.3.4 Service documents (spare parts and circuit diagrams)

### **WARNING**



#### **Do not carry out any unauthorised repairs or modifications!**

To avoid injury and equipment damage, the unit must only be repaired or modified by specialist, skilled persons!

The warranty becomes null and void in the event of unauthorised interference.

- Appoint only skilled persons for repair work (trained service personnel)!

Original copies of the circuit diagrams are enclosed with the unit.

Spare parts can be obtained from the relevant authorised dealer.

#### 3.3.5 Calibration/Validation

An original certificate is enclosed with the product. The manufacturer recommends calibration / validation at intervals of 12 months.

## 4 Machine description – quick overview

### 4.1 Front view

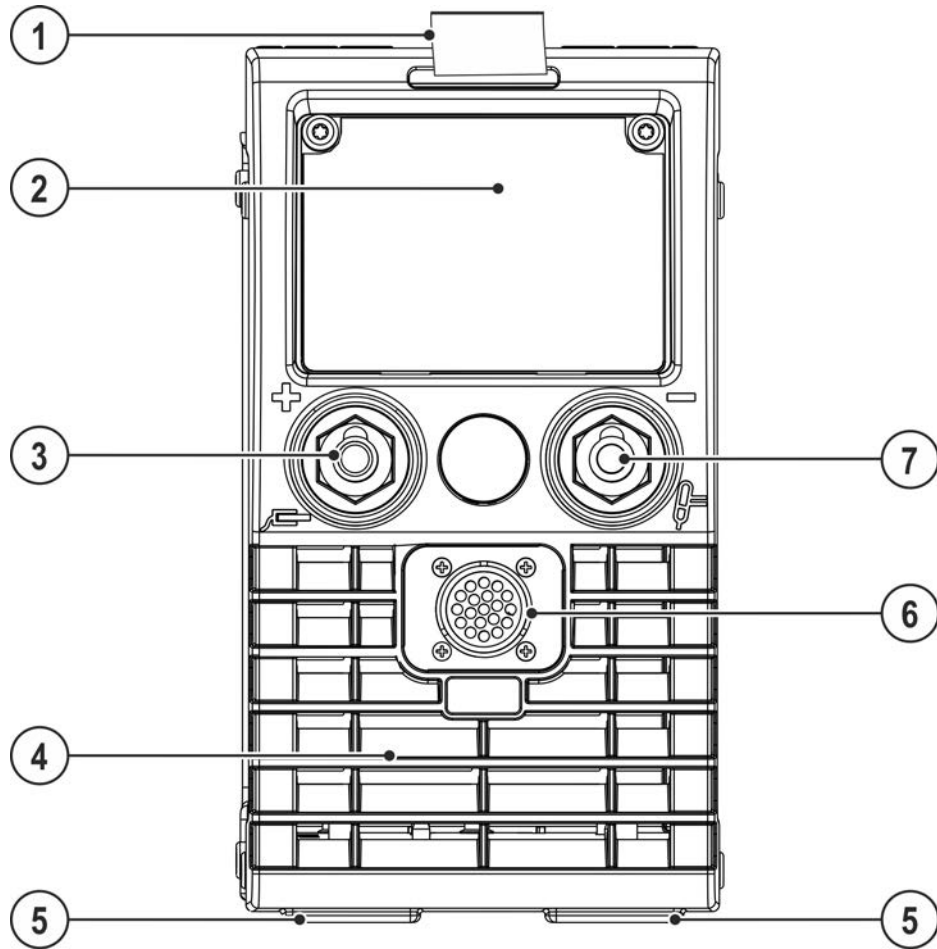





Figure 4-1

Item	Symbol	Description
1		<b>Carrying strap &gt; see 5.1.4.1 chapter</b>
2		<b>Machine control &gt; see 4.3 chapter</b>
3		<b>Connection socket, "+" welding current</b> <ul style="list-style-type: none"> <li>• MMA: Electrode holder or workpiece lead connection</li> <li>• TIG: Connection for workpiece lead</li> </ul>
4		<b>Cooling air outlet</b>
5		<b>Machine feet</b>
6		<b>Connection socket, 19-pole</b> Remote control connection
7		<b>Connection socket, "-" welding current</b> <ul style="list-style-type: none"> <li>• TIG: Welding current lead connection for TIG welding torch</li> <li>• MMA: Electrode holder or workpiece lead connection</li> </ul>

## 4.2 Rear view

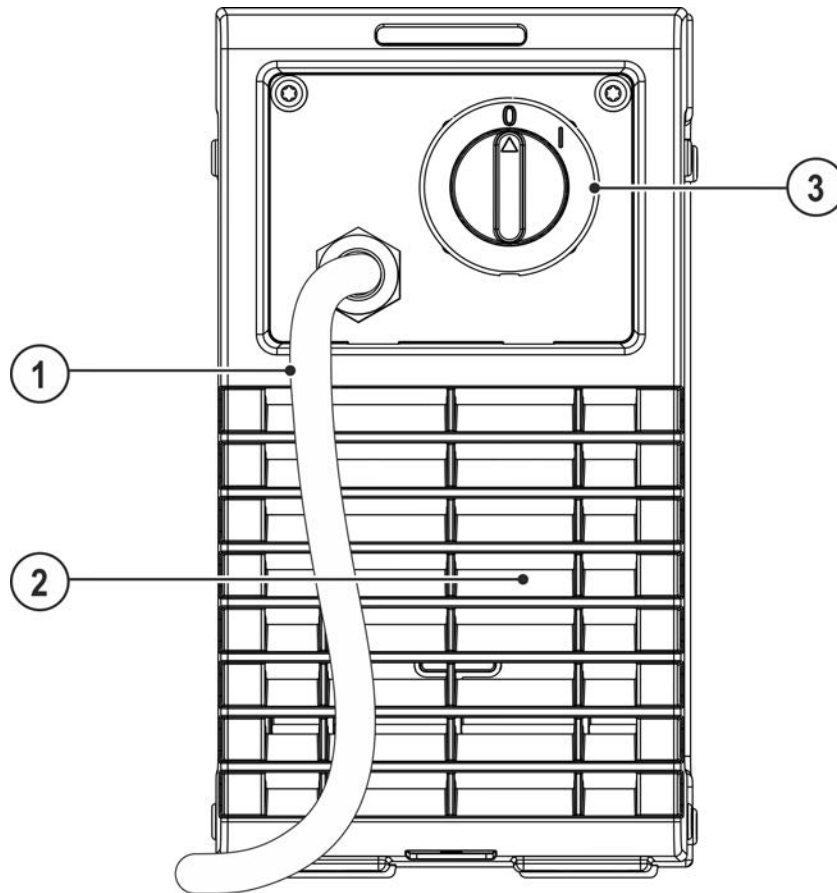


Figure 4-2

Item	Symbol	Description
1		Mains connection cable > see 5.1.7 chapter
2		Cooling air inlet
3		Main Switch Switching the machine on or off.

## 4.3 Machine control – Operating elements

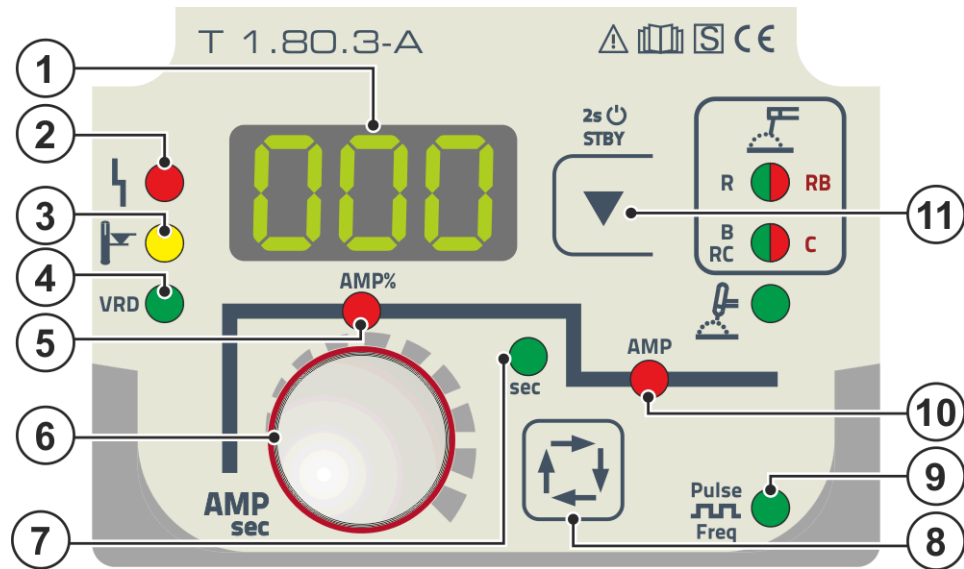


Figure 4-3

Item	Symbol	Description
1		<b>Display, 3-digit</b>
2		<b>Collective interference signal light</b> For error messages, > see 7.2 chapter
3		<b>Excess temperature signal light</b> In case of excess temperature, temperature monitors de-activate the power unit, and the excess temperature control lamp comes on. Once the machine has cooled down, welding can continue without any further measures.
4	<b>VRD</b>	<b>Voltage reduction device (VRD) signal light &gt; see 5.7 chapter</b>
5	<b>AMP%</b>	<b>Hotstart current signal light</b>
6		<b>Welding parameter setting rotary transducer</b> Setting of welding current and other welding parameter and their values
7	<b>sec</b>	<b>Hotstart time signal light</b>
8		<b>Select welding parameters button</b> This button is used to select the welding parameters depending on the welding process and operating mode used.
9		<b>Pulse welding (average value pulses) signal light &gt; see 5.2.6 chapter</b> On: -----Function switched on <input type="checkbox"/> <b>on</b> Not on: --Function switched off <input type="checkbox"/> <b>off</b> Flashing: Parameter selection and frequency setting <b>Freq</b> :
10	<b>AMP</b>	<b>Main current signal light</b> I <sub>min</sub> to I <sub>max</sub> (1 A increments)
11		<b>Welding procedure/power-saving mode push-button</b> ----- Selection of MMA welding procedure/electrode type setting Signal light <sup>R</sup> illuminated in green = electrode type rutile Signal light <sup>R</sup> illuminated in red = electrode type rutile basic Signal light <sup>R</sup> illuminated in green = electrode type basic/rutile cellulose Signal light <sup>R</sup> illuminated in red = electrode type cellulose ----- Selection of TIG welding procedure Press for 2 s to put the machine into power-saving mode. To reactivate, activate one of the operating elements > see 5.5 chapter.



## 5 Design and function

### 5.1 Transport and installation

#### **WARNING**



**Risk of accident due to improper transport of machines that must not be lifted! Do not lift or suspend the machine! The machine can drop and cause injuries! The handles, straps or brackets are suitable for transport by hand only!**

- The machine must not be suspended or lifted using a crane.

#### 5.1.1 Machine cooling



**Insufficient ventilation results in a reduction in performance and equipment damage.**

- **Observe the ambient conditions!**
- **Keep the cooling air inlet and outlet clear!**
- **Observe the minimum distance of 0.5 m from obstacles!**

#### 5.1.2 Workpiece lead, general

#### **CAUTION**



**Risk of burning due to incorrect welding current connection!**

**If the welding current plugs (machine connections) are not locked or if the workpiece connection is contaminated (paint, corrosion), these connections and leads can heat up and cause burns when touched!**

- Check welding current connections on a daily basis and lock by turning to the right when necessary.
- Clean workpiece connection thoroughly and secure properly. Do not use structural parts of the workpiece as welding current return lead!

#### 5.1.3 Ambient conditions



**The machine must not be operated in the open air and must only be set up and operated on a suitable, stable and level base!**

- **The operator must ensure that the ground is non-slip and level, and provide sufficient lighting for the place of work.**
- **Safe operation of the machine must be guaranteed at all times.**



**Equipment damage due to contamination!**

**Unusually high amounts of dust, acids, corrosive gases or substances can damage the machine (observe maintenance intervals > see 6.2 chapter).**

- **Avoid large amounts of smoke, steam, oily fumes, grinding dust and corrosive ambient air!**

##### 5.1.3.1 In operation

**Temperature range of the ambient air:**

- -25 °C to +40 °C (-13 °F to 104 °F)

**Relative humidity:**

- up to 50 % at 40 °C (104 °F)
- up to 90 % at 20 °C (68 °F)

##### 5.1.3.2 Transport and storage

**Storage in a closed room, temperature range of the ambient air:**

- -30 °C to +70 °C (-22 °F to 158 °F)

**Relative humidity**

- up to 90 % at 20 °C (68 °F)



## 5.1.4 Transport belt

### 5.1.4.1 Adjusting the length of the carrying strap

To demonstrate adjustment, lengthening the strap is shown in the figure. To shorten, the strap's loops must be inched in the opposite direction.

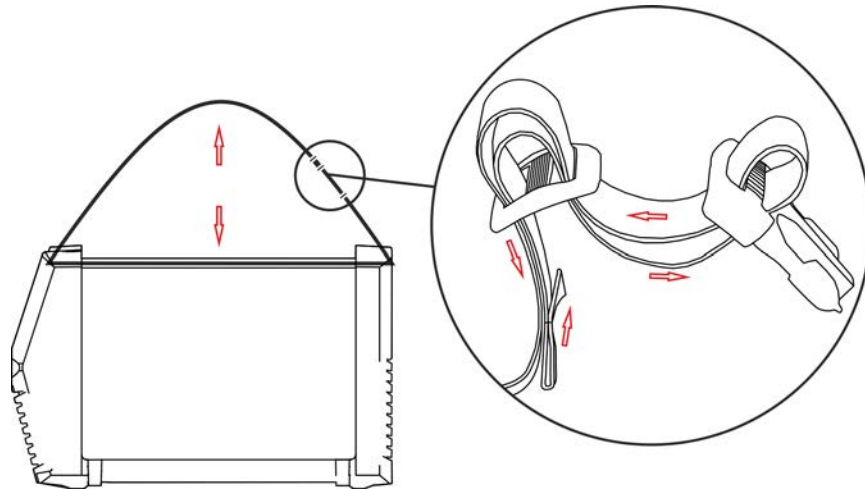


Figure 5-1

## 5.1.5 Notes on the installation of welding current leads

- Use an individual welding lead to the workpiece for each welding machine!

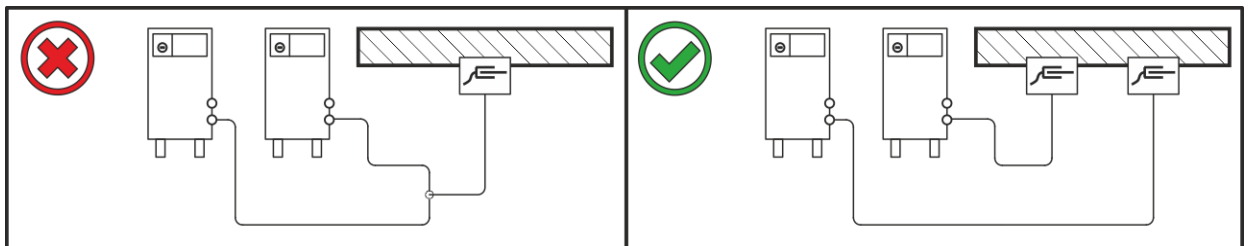


Figure 5-2

- Fully unroll welding current leads, torch hose packages and intermediate hose packages. Avoid loops!
- Always keep leads as short as possible!

Lay any excess cable lengths in meanders.

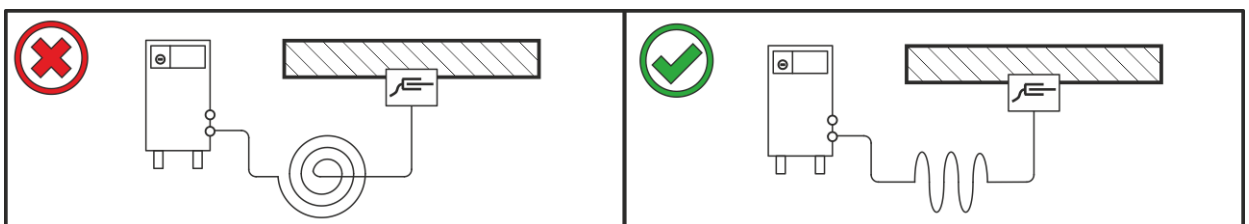


Figure 5-3

## 5.1.6 Stray welding currents

### ⚠ WARNING



**Risk of injury due to stray welding currents!**

**Stray welding currents can destroy protective earth conductors, damage machines and electronic devices and cause overheating of components, leading to fire.**

- Check that all welding current connections are firmly secured and electrical connections are in perfect condition.
- Set up, attach or suspend all conductive power source components such as casing, transport vehicles and crane frames so they are insulated.
- Do not place any other electronic devices such as drills or angle grinders on the power source, transport vehicle or crane frames unless they are insulated.
- Always put welding torches and electrode holders on an insulated surface when they are not in use.

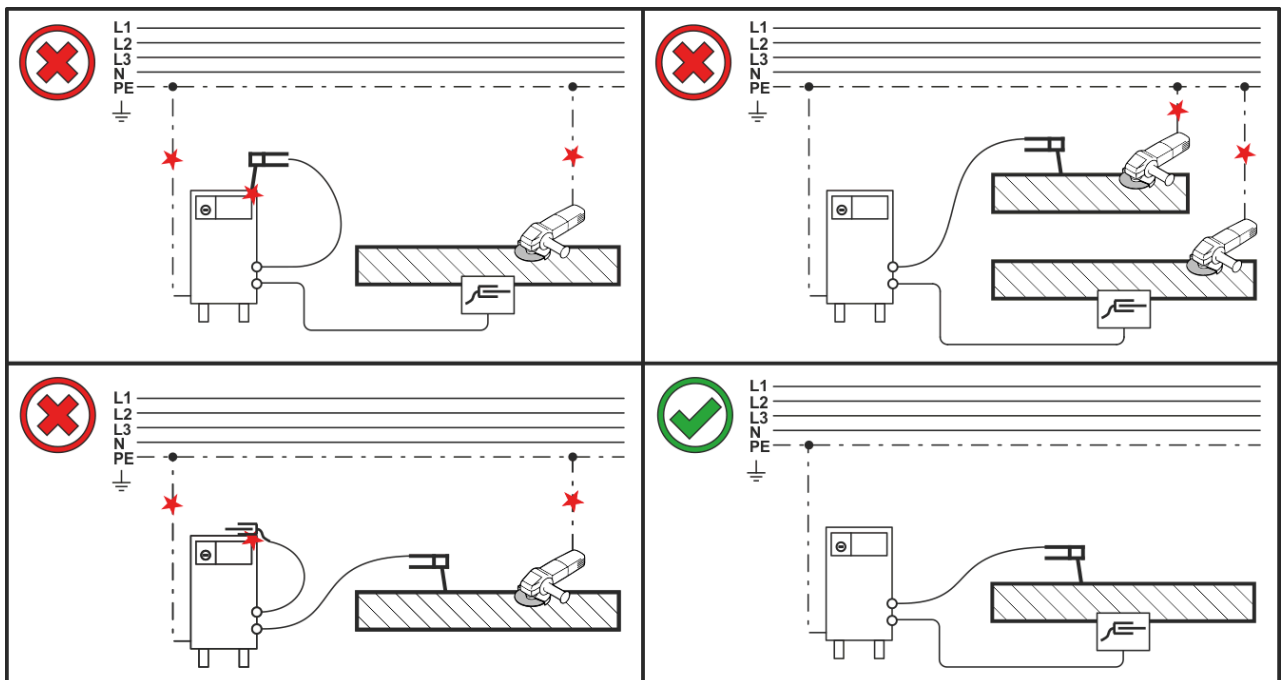


Figure 5-4

## 5.1.7 Mains connection

### DANGER



#### Hazards caused by improper mains connection!

#### An improper mains connection can cause injuries or damage property!

- The connection (mains plug or cable), the repair or voltage adjustment of the device must be carried out by a qualified electrician in accordance with the respective local laws or national regulations!
- The mains voltage indicated on the rating plate must match the supply voltage.
- Only operate machine using a socket that has correctly fitted protective earth.
- Mains plug, socket and lead must be checked by a qualified electrician on a regular basis!
- When operating the generator, always ensure it is earthed as stipulated in the operating instructions. The network created must be suitable for operating machines according to protection class I.

### 5.1.7.1 Mains configuration

The machine may be connected to:

- a three-phase system with four conductors and an earthed neutral conductor
- a three-phase system with three conductors of which any one can be earthed, e.g. the outer conductor

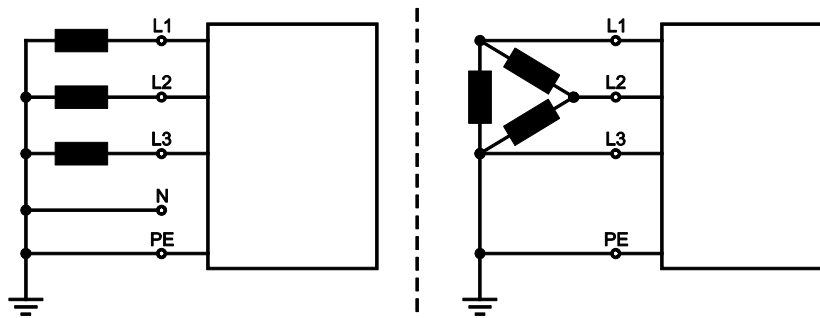


Figure 5-5

#### Legend

Item	Designation	Colour code
L1	Outer conductor 1	brown
L2	Outer conductor 2	black
L3	Outer conductor 3	grey
N	Neutral conductor	blue
PE	Protective conductor	green-yellow

- Insert mains plug of the switched-off machine into the appropriate socket.

## 5.2 MMA welding

### 5.2.1 Connecting the electrode holder and workpiece lead

#### ⚠ CAUTION



**Risk of crushing and burns!**

**When changing stick electrodes there is a risk of crushing and burns!**

- Wear appropriate and dry protective gloves.
- Use an insulated pair of tongs to remove the used stick electrode or to move welded workpieces.

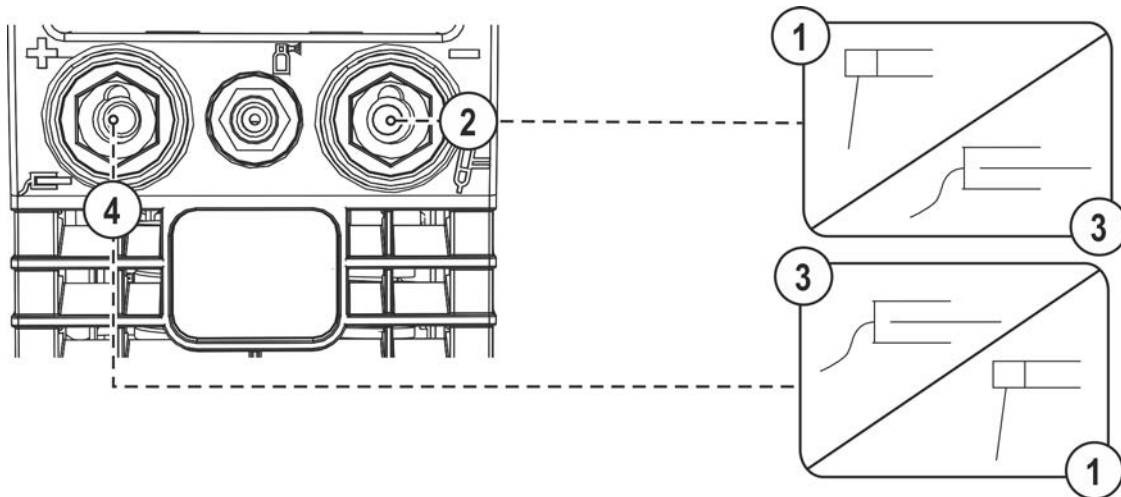


Figure 5-6

Item	Symbol	Description
1		Electrode holder
2		Connection socket, "-" welding current Workpiece lead or electrode holder connection
3		Workpiece
4		Connection socket for "+" welding current Electrode holder or workpiece lead connection

- Insert the electrode holder plug and workpiece lead into the welding current socket depending on application and lock in place by turning to the right. The corresponding polarity will be based on the information of the electrode manufacturer on the electrode packaging.

### 5.2.2 Welding task selection

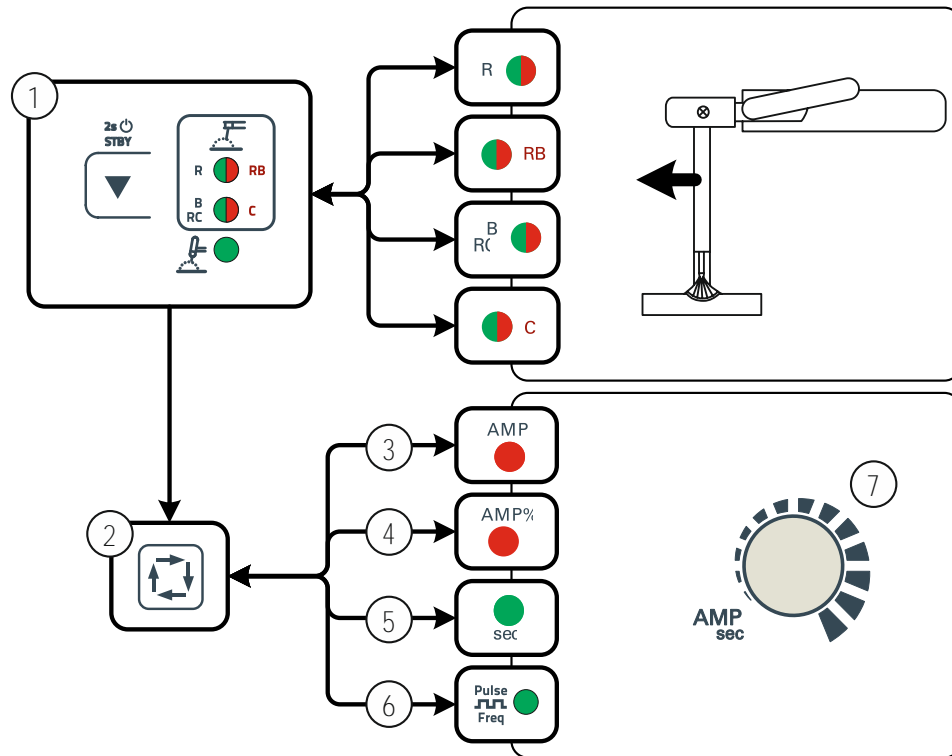


Figure 5-7

Item	Symbol	Description
1		<p><b>Welding procedure/power-saving mode push-button</b></p> <p> ----- Selection of MMA welding procedure/electrode type setting</p> <p>Signal light <sup>R</sup> <sup>RB</sup> illuminated in green = electrode type rutile</p> <p>Signal light <sup>R</sup> <sup>RB</sup> illuminated in red = electrode type rutile basic</p> <p>Signal light <sup>B</sup> <sup>RC</sup> illuminated in green = electrode type basic/rutile cellulose</p> <p>Signal light <sup>B</sup> <sup>RC</sup> illuminated in red = electrode type cellulose</p> <p> ----- Selection of TIG welding procedure</p> <p>Press for 2 s to put the machine into power-saving mode. To reactivate, activate one of the operating elements &gt; see 5.5 chapter.</p>
2		<p><b>Select welding parameters button</b></p> <p>This button is used to select the welding parameters depending on the welding process and operating mode used.</p>
3	<b>AMP</b>	<p><b>Main current signal light</b></p> <p>I<sub>min</sub> to I<sub>max</sub> (1 A increments)</p>
4	<b>AMP%</b>	<p><b>Hotstart current signal light</b></p>
5	<b>sec</b>	<p><b>Hotstart time signal light</b></p>
6		<p><b>Pulse welding (average value pulses) signal light &gt; see 5.2.6 chapter</b></p> <p>On: -----Function switched on <input type="checkbox"/> <b>on</b></p> <p>Not on: --Function switched off <input type="checkbox"/> <b>off</b></p> <p>Flashing: Parameter selection and frequency setting <input type="checkbox"/> <b>FrE</b>:</p>
7		<p><b>Welding parameter setting rotary transducer</b></p> <p>Setting of welding current and other welding parameter and their values</p>

## 5.2.3 Hotstart

The function hot start ensures a secure igniting of the arc and a sufficient heating to the still cold parent metal at the beginning of the welding process. The ignition takes place here with increased current (hot start current) over a certain time (hot start time).

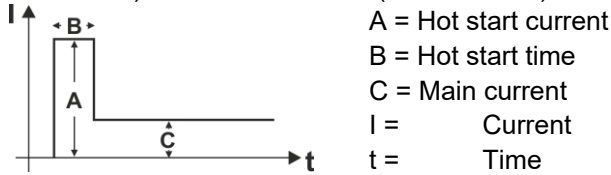


Figure 5-8

### Setting

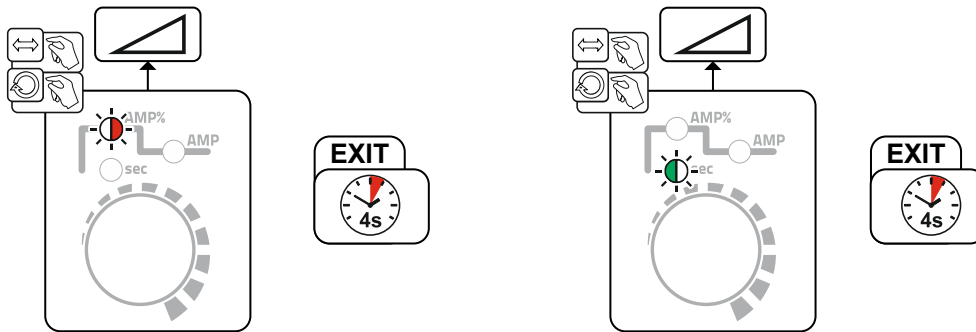


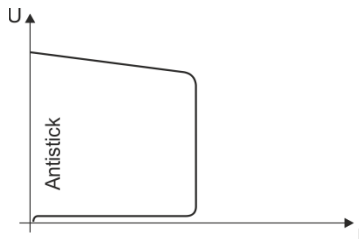
Figure 5-9

## 5.2.4 Arcforce

During the welding process, arcforce prevents the electrode sticking in the weld pool with increases in current. This makes it easier to weld large-drop melting electrode types at low current strengths with a short arc in particular.

**For parameter setting, > see 5.2.7 chapter.**

## 5.2.5 Antistick



**The Antistick feature prevents the electrode from annealing.**

Should the electrode stick despite the Arcforce feature, the machine automatically switches to the minimum current within approx. one second. This prevents the electrode from annealing. Check the welding current setting and correct for the welding task in hand.

Figure 5-10

## 5.2.6 Average value pulse welding

Average value pulse welding means that two currents are switched periodically, a current average value (AMP), a pulse current ( $I_{puls}$ ), a balance ( $bRL$ ) and a frequency ( $FrE$ ) having been defined first. The predefined ampere current average value is decisive, the pulse current ( $I_{puls}$ ) is defined by the  $IPL$  parameter as a percentage of the current average value (AMP). The pulse pause current (IPP) requires no setting. This value is calculated by the machine control, so that the welding current average value (AMP) is maintained at all times.

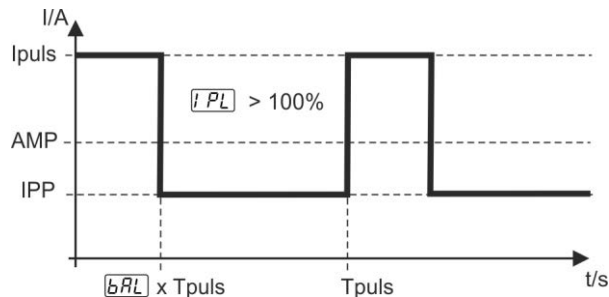


Figure 5-11

AMP = Main current; e.g. 100 A

$I_{puls}$  = Pulse current =  $IPL \times AMP$ ; e.g. 140% x 100 A = 140 A

IPP = Pulse pause current

$Tpuls$  = Duration of one pulse cycle =  $1/FrE$ ; e.g. 1/1 Hz = 1 s

$bRL$  = Balance

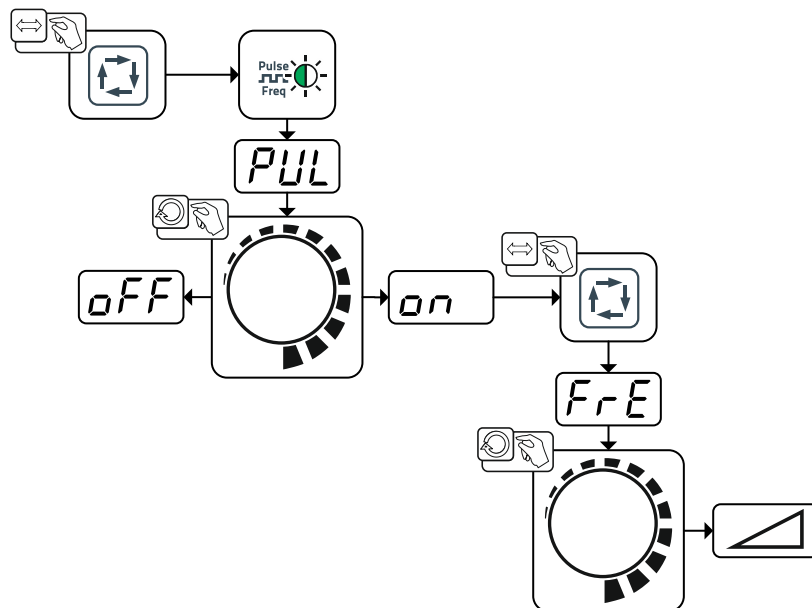


Figure 5-12

Display	Setting/selection
<b>PUL</b>	<b>Pulse welding (average value pulses)</b> ON ----- Function switched on OFF ----- Function switched off (ex works)
<b>FrE</b>	<b>Pulse frequency</b>

More parameters can be set in the Expert menu > see 5.2.7 chapter.

## 5.2.7 Expert menu (MMA)

The Expert menu has adjustable parameters stored that don't require regular setting. The number of parameters shown may be limited, e.g. if a function is deactivated.

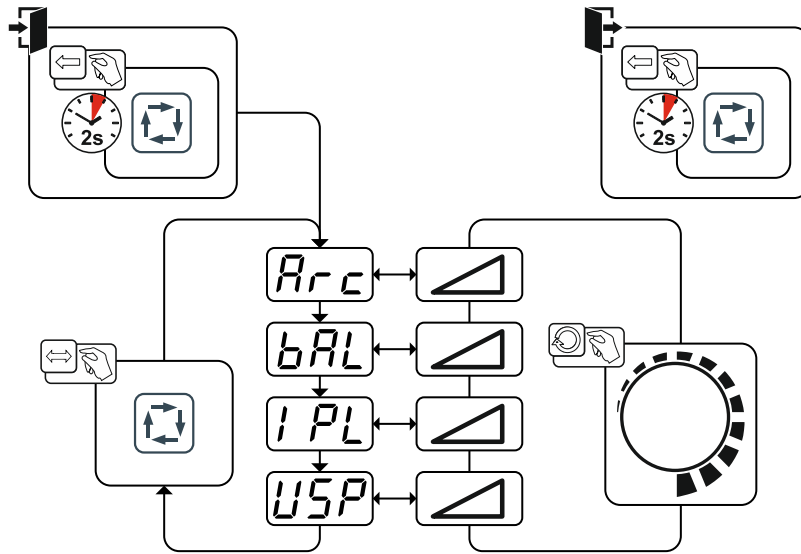


Figure 5-13

Display	Setting/selection
	<b>Arcforce correction</b> <ul style="list-style-type: none"> <li>• Increase value &gt; harder arc</li> <li>• Decrease value &gt; softer arc</li> </ul>
	<b>Pulse balance</b>
	<b>Pulse current &gt; see 5.2.6 chapter</b>
	<b>Arc length restriction &gt; see 5.6 chapter</b> <input type="checkbox"/> on ----- Function switched on <input type="checkbox"/> FF ----- Function switched off

The setting ranges for the parameter values are summarised in the Parameter overview section > see 10.1.3 chapter.

## 5.3 TIG welding

### 5.3.1 Shielding gas supply (shielding gas cylinder for welding machine)

**⚠ WARNING**

**Risk of injury due to improper handling of shielding gas cylinders! Improper handling and insufficient securing of shielding gas cylinders can cause serious injuries!**

- Place shielding gas cylinder into the designated holder and secure with fastening elements (chain/belt)!
- Attach the fastening elements within the upper half of the shielding gas cylinder!
- The fastening elements must tightly enclose the shielding gas cylinder!



**An unhindered shielding gas supply from the shielding gas cylinder to the welding torch is a fundamental requirement for optimum welding results. In addition, a blocked shielding gas supply may result in the welding torch being destroyed.**

- **Always re-fit the yellow protective cap when not using the shielding gas connection.**
- **All shielding gas connections must be gas tight.**



### 5.3.1.1 Connecting the shielding gas supply

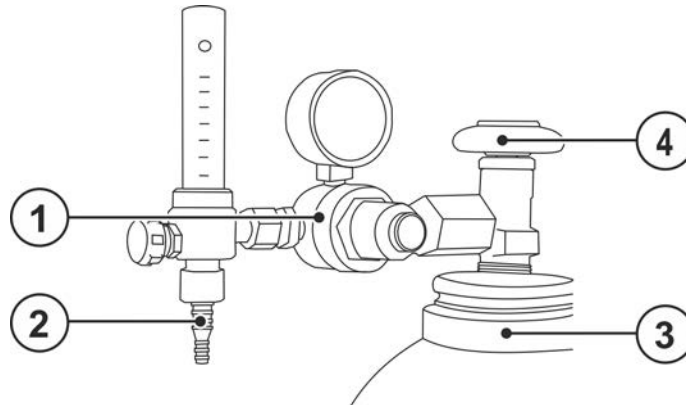


Figure 5-14

Item	Symbol	Description
1		Pressure regulator
2		Shielding gas cylinder
3		Output side of the pressure regulator
4		Cylinder valve

- Before connecting the pressure regulator to the gas cylinder, open the cylinder valve briefly to blow out any dirt.
- Tighten the pressure regulator screw connection on the gas bottle valve to be gas-tight.
- Screw the shielding gas hose of the welding torch to the pressure regulator outlet.

### 5.3.2 Connecting a TIG welding torch with rotating gas valve

Prepare welding torch according to the welding task in hand (see operating instructions for the torch).

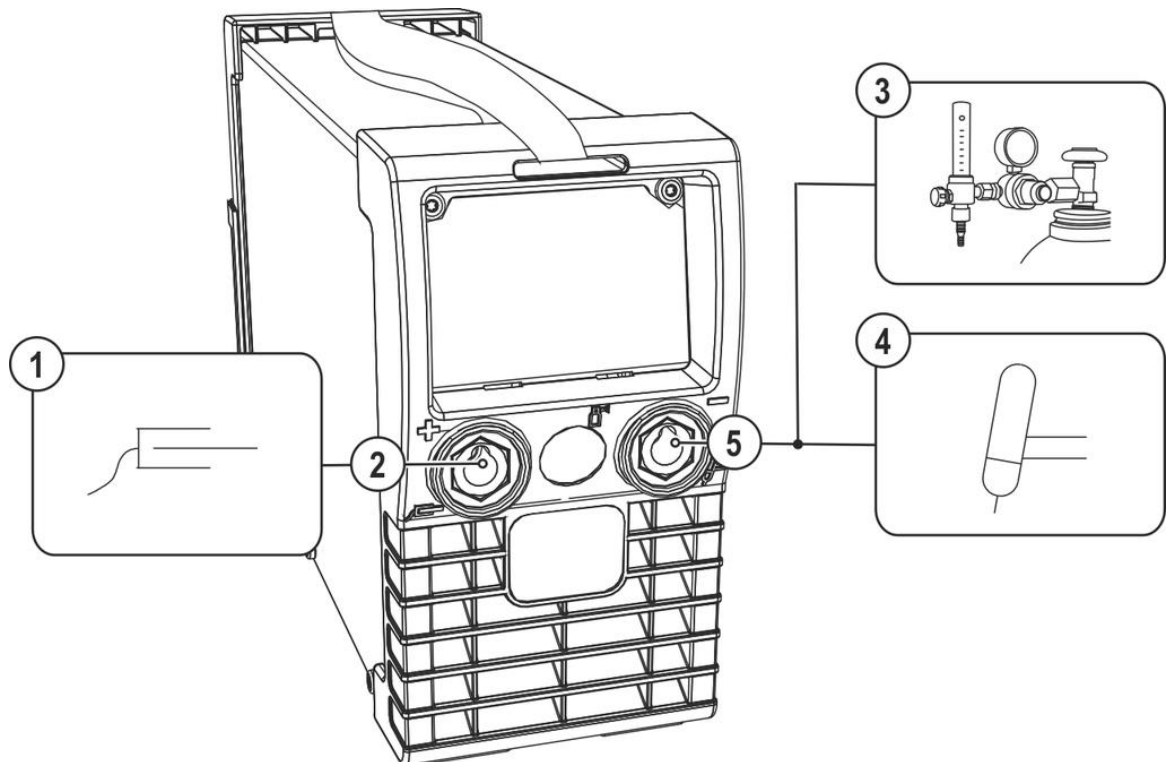


Figure 5-15

Item	Symbol	Description
1		Workpiece

Item	Symbol	Description
2		<b>Connection socket for "+" welding current</b> Workpiece lead connection
3		<b>Output side of the pressure regulator</b>
4		<b>Welding torch</b>
5		<b>Connection socket, "-" welding current</b> Welding current lead connection for TIG welding torch

- Insert the welding current plug on the welding torch into the welding current connection socket and lock by turning to the right.
- Insert the cable plug on the work piece lead into the "+" welding current connection socket and lock by turning to the right.
- Screw the shielding gas hose of the welding torch to the pressure regulator outlet.

### 5.3.3 Welding task selection

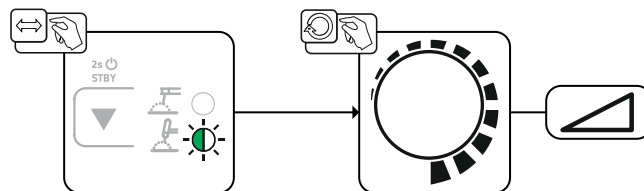


Figure 5-16

### 5.3.4 Arc ignition

#### 5.3.4.1 Liftarc

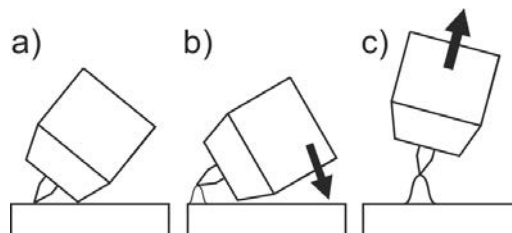


Figure 5-17

**The arc ignites through contact with the workpiece:**

- Carefully place the torch gas nozzle and tungsten electrode tip against the workpiece (lift arc current flows independent of the set main current)
- Angle the torch above the torch gas nozzle until the distance between electrode tip and workpiece is approx. 2–3 mm (arc ignites, current increases to the set main current).
- Lift the torch off and bring into normal position.

**Complete the welding task: Remove the torch from the workpiece so that the arc extinguishes.**

### 5.3.5 Average value pulse welding

Average value pulse welding means that two currents are switched periodically, a current average value (AMP), a pulse current ( $I_{puls}$ ), a balance ( $bRL$ ) and a frequency ( $FrE$ ) having been defined first. The predefined ampere current average value is decisive, the pulse current ( $I_{puls}$ ) is defined by the  $IPL$  parameter as a percentage of the current average value (AMP). The pulse pause current (IPP) requires no setting. This value is calculated by the machine control, so that the welding current average value (AMP) is maintained at all times.

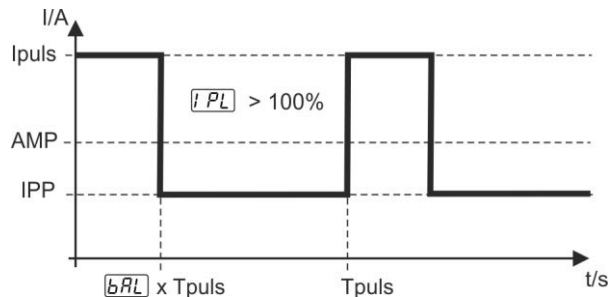


Figure 5-18

AMP = Main current; e.g. 100 A

$I_{puls}$  = Pulse current =  $IPL \times AMP$ ; e.g.  $140\% \times 100 A = 140 A$

IPP = Pulse pause current

$Tpuls$  = Duration of one pulse cycle =  $1/FrE$ ; e.g.  $1/1 Hz = 1 s$

$bRL$  = Balance

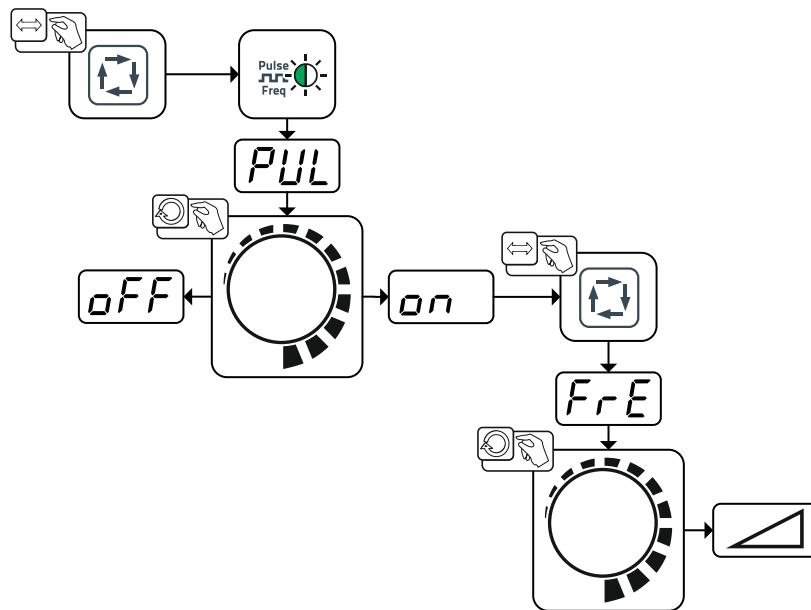


Figure 5-19

Display	Setting/selection
<b>PUL</b>	<b>Pulse welding (average value pulses)</b> <input type="checkbox"/> on ----- Function switched on <input type="checkbox"/> off ----- Function switched off (ex works)
<b>FrE</b>	<b>Pulse frequency</b>

More parameters can be set in the Expert menu > see 5.3.6 chapter.

## 5.3.6 Expert menu (TIG)

The Expert menu has adjustable parameters stored that don't require regular setting. The number of parameters shown may be limited, e.g. if a function is deactivated.

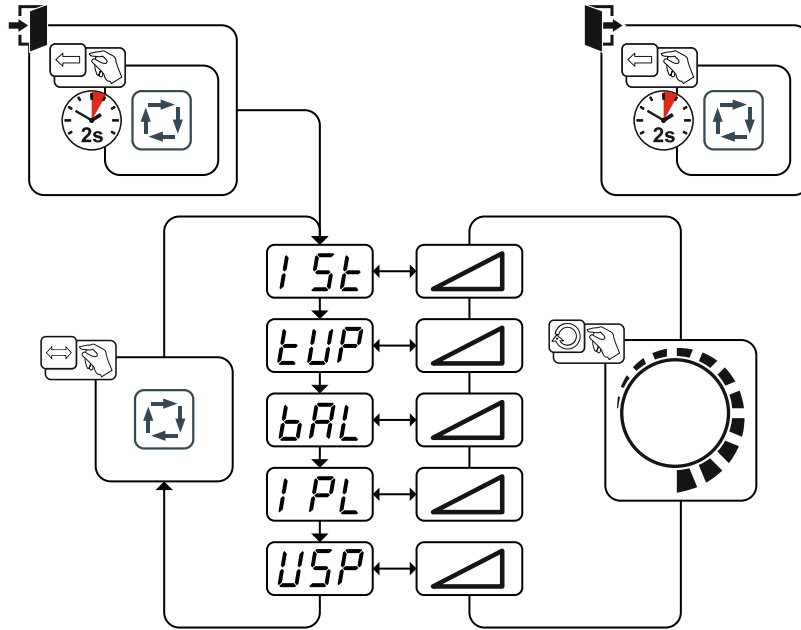


Figure 5-20

Display	Setting/selection
<b>ISt</b>	Ignition current (as percentage, dependent on main current)
<b>tUP</b>	Upslope time to main current
<b>bAL</b>	Pulse balance
<b>IPL</b>	Pulse current > see 5.3.5 chapter
<b>USP</b>	Arc length restriction > see 5.6 chapter
	<input type="checkbox"/> on ----- Function switched on
	<input type="checkbox"/> FF ----- Function switched off

The setting ranges for the parameter values are summarised in the Parameter overview section > see 10.1.3 chapter.

### 5.3.7 Dirt filter

These accessory components can be retrofitted as an option > see 9 chapter.

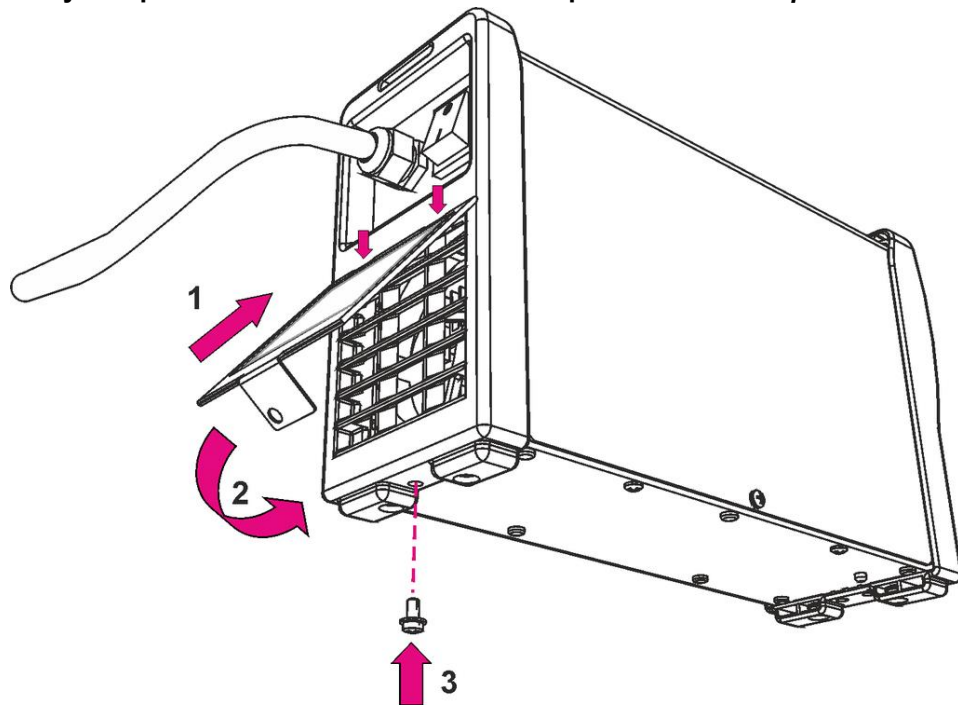


Figure 5-21

- As shown in the diagram, insert the dirt filter into the rear of the machine, above the air inlet, using both clips (1).
- Fold down the dirt filter (2).
- Fasten the dirt filter to the underside of the machine (3) using fixing screws.

When using a dirt filter, the cooling air throughput is reduced and the duty cycle of the machine is reduced as a result. The duty cycle decreases with the increasing contamination of the filter. The dirt filter must be removed at regular intervals and cleaned by blowing out with compressed air (depending on the level of soiling).

## 5.4 Remote control

The remote controls are operated on the 19-pole remote control connection socket (analogue).

### 5.4.1 RT1 19POL



#### Functions

- Infinitely adjustable welding current (0% to 100%) depending on the preselected main current on the welding machine.

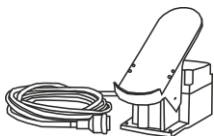
### 5.4.2 RTG1 19POL



#### Functions

- Infinite setting of the welding current (0% to 100%) depending on the main current preselected at the welding machine

### 5.4.3 RTF1 19POL

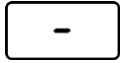


#### Functions

- Infinitely adjustable welding current (0% to 100%) depending on the preselected main current on the welding machine.
- Start/stop welding operation (TIG)

## 5.5 Power-saving mode (Standby)

You can activate the power-saving mode by either pressing the push-button > see 4.3 chapter for a prolonged time or by setting a parameter in the machine configuration menu (time-controlled power-saving mode  $\overline{SbP}$ ) > see 5.8 chapter.



When power-saving mode is activated, the machine displays show the horizontal digit in the centre of the display only.

Pressing any operating element (e.g. turning a rotary knob) deactivates power-saving mode and the machine is ready for welding again.

## 5.6 Arc length restriction (USP)

The arc length restriction  $\overline{USP}$  function stops the welding process when an excessive arc voltage is detected (unusually high gap between electrode and workpiece). This function can be adjusted in the corresponding Expert menu, depending on the process:

MMA welding > see 5.2.7 chapter

TIG welding > see 5.3.6 chapter

The arc length restriction cannot be used for cel characteristics (if available).

## 5.7 Voltage reducing device

Only machine variants with the (VRD/SVRD/AUS/RU) code are equipped with a voltage reduction device (VRD). The VRD is used for increased safety, especially in hazardous environments such as shipbuilding, pipe construction or mining.

A VRD is mandatory in some countries and required by many on-site safety instructions for power sources.

The VRD > see 4.3 chapter signal light is illuminated when the voltage reduction device is operating without fault and the output voltage is reduced to a value specified in the relevant standard (see technical data > see 8 chapter).

### 5.8 Machine configuration menu

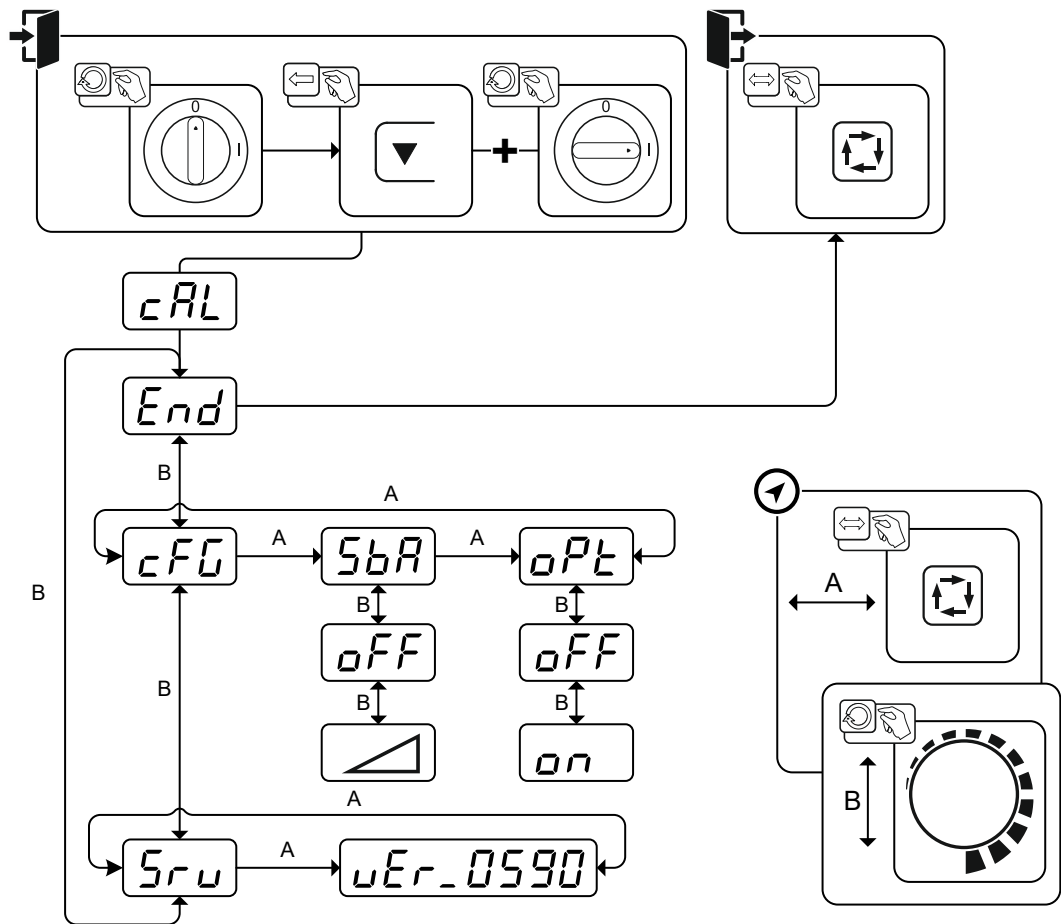


Figure 5-22

Display	Setting/selection
<b>cAL</b>	<b>Calibration</b> The machine will be calibrated for approx 2 seconds each time it is switched on.
<b>End</b>	<b>Exit the menu</b> Exit
<b>cFG</b>	<b>Machine configuration</b> Settings for machine functions and parameter display
<b>Sbr</b>	<b>Time-based power-saving mode &gt; see 5.5 chapter</b> Time to activation of the power-saving mode in case of inactivity. Setting <b>oFF</b> = disabled or numerical value 5-60 min..
<b>opt</b>	<b>Arc detection for welding helmets (TIG)</b> Modulated waviness for better arc detection <b>on</b> ----- Function enabled <b>oFF</b> ----- Function disabled
<b>Srv</b>	<b>Service menu</b> Any changes to the service menu should be agreed with the authorised service personnel.
<b>uEr</b>	<b>Software version of the machine control</b> Version display

## 6 Maintenance, care and disposal

### 6.1 General

#### **DANGER**



**Risk of injury due to electrical voltage after switching off!**

**Working on an open machine can lead to fatal injuries!**

**Capacitors are loaded with electrical voltage during operation. Voltage remains present for up to four minutes after the mains plug is removed.**

1. Switch off machine.
2. Remove the mains plug.
3. Wait for at least 4 minutes until the capacitors have discharged!

#### **WARNING**



**Incorrect maintenance, testing and repair!**

**Maintenance, testing and repair of the machine may only be carried out by skilled and qualified personnel. A qualified person is one who, because of his or her training, knowledge and experience, is able to recognise the dangers that can occur while testing welding power sources as well as possible subsequent damage, and who is able to implement the required safety procedures.**

Observe the maintenance instructions > see 6.2 chapter.

- In the event that the provisions of one of the below-stated tests are not met, the machine must not be operated again until it has been repaired and a new test has been carried out!

Repair and maintenance work may only be performed by qualified authorised personnel; otherwise the right to claim under warranty is void. In all service matters, always consult the dealer who supplied the machine. Return deliveries of defective equipment subject to warranty may only be made through your dealer. When replacing parts, use only original spare parts. When ordering spare parts, please quote the machine type, serial number and item number of the machine, as well as the type designation and item number of the spare part.

Under the specified ambient conditions and normal working conditions this machine is essentially maintenance-free and requires just a minimum of care.

Contamination of the machine may impair service life and duty cycle. The cleaning intervals depend on the ambient conditions and the resulting contamination of the machine. The minimum interval is every six months.

#### 6.1.1 Cleaning

- Clean the outer surfaces with a moist cloth (no aggressive cleaning agents).
- Purge the machine venting channel and cooling fins (if present) with oil- and water-free compressed air. Compressed air may overspeed and destroy the machine fans. Never direct the compressed air directly at the machine fans. Mechanically block the fans, if required.
- Check the coolant for contaminants and replace, if necessary.

#### 6.1.2 Dirt filter

When using a dirt filter, the cooling air throughput is reduced and the duty cycle of the machine is reduced as a result. The duty cycle decreases with the increasing contamination of the filter. The dirt filter must be removed at regular intervals and cleaned by blowing out with compressed air (depending on the level of soiling).



## **6.2 Maintenance work, intervals**

### **6.2.1 Daily maintenance tasks**

Visual inspection

- Mains supply lead and its strain relief
- Gas cylinder securing elements
- Check hose package and power connections for exterior damage and replace or have repaired by specialist staff as necessary!
- Gas tubes and their switching equipment (solenoid valve)
- Check that all connections and wearing parts are hand-tight and tighten if necessary.
- Check correct mounting of the wire spool.
- Wheels and their securing elements
- Transport elements (strap, lifting lugs, handle)
- Other, general condition

Functional test

- Operating, message, safety and adjustment devices (Functional test)
- Welding current cables (check that they are fitted correctly and secured)
- Gas tubes and their switching equipment (solenoid valve)
- Gas cylinder securing elements
- Check correct mounting of the wire spool.
- Check that all screw and plug connections and replaceable parts are secured correctly, tighten if necessary.
- Remove any spatter.
- Clean the wire feed rollers on a regular basis (depending on the degree of soiling).

### **6.2.2 Monthly maintenance tasks**

Visual inspection

- Casing damage (front, rear and side walls)
- Wheels and their securing elements
- Transport elements (strap, lifting lugs, handle)
- Check coolant tubes and their connections for impurities

Functional test

- Selector switches, command devices, emergency stop devices, voltage reducing devices, message and control lamps
- Check wire guide elements (wire feed roll holder, wire feed nipple, wire guide tube) for tight fit. Recommendation for replacing the wire feed roll holder (eFeed) after 2000 hours of operation, see replacement parts).
- Check coolant tubes and their connections for impurities
- Check and clean the welding torch. Deposits in the torch can cause short circuits and have a negative impact on the welding result, ultimately causing damage to the torch.

### **6.2.3 Annual test (inspection and testing during operation)**

A periodic test according to IEC 60974-4 "Periodic inspection and test" has to be carried out. In addition to the regulations on testing given here, the relevant local laws and regulations must also be observed.

For more information refer to the "Warranty registration" brochure supplied and our information regarding warranty, maintenance and testing at [www.ewm-group.com](http://www.ewm-group.com)!

## 6.3 Disposing of equipment



### Proper disposal!

The machine contains valuable raw materials, which should be recycled, and electronic components, which must be disposed of.

- Do not dispose of in household waste!
- Observe the local regulations regarding disposal!
- According to European provisions (Directive 2012/19/EU on Waste of Electrical and Electronic Equipment), used electric and electronic equipment may no longer be placed in unsorted municipal waste. It must be collected separately. The symbol depicting a waste container on wheels indicates that the equipment must be collected separately.  
This machine has to be disposed of, or recycled, in accordance with the waste separation systems in use.
- According to German law (law governing the distribution, taking back and environmentally correct disposal of electric and electronic equipment (ElektroG)), used machines are to be placed in a collection system separate from unsorted municipal waste. The public waste management utilities (communities) have created collection points at which used equipment from private households can be disposed of free of charge.
- Information about returning used equipment or about collections can be obtained from the respective municipal administration office.
- In addition to this, returns are also possible throughout Europe via EWM sales partners.

## 7 Rectifying faults

All products are subject to rigorous production checks and final checks. If, despite this, something fails to work at any time, please check the product using the following flowchart. If none of the fault rectification procedures described leads to the correct functioning of the product, please inform your authorised dealer.

### 7.1 Checklist for rectifying faults

The correct machine equipment for the material and process gas in use is a fundamental requirement for perfect operation!

Legend	Symbol	Description
	↗	Fault/Cause
	✘	Remedy

#### Excess temperature signal light illuminates



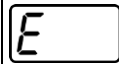
- ↗ Excess temperature, welding machine
- ✘ Allow the machine to cool down whilst still switched on

#### Functional errors

- ↗ All machine control signal lights are illuminated after switching on
- ↗ No machine control signal light is illuminated after switching on
- ↗ No welding power
  - ✘ Phase failure > check mains connection (fuses)
- ↗ Connection problems
  - ✘ Make control lead connections and check that they are fitted correctly.
- ↗ Loose welding current connections
  - ✘ Tighten power connections on the torch and/or on the workpiece
  - ✘ Tighten contact tip correctly

### 7.2 Error messages (power source)

Depending on the options of the machine display, a fault is shown as follows:

Display type - machine control	Display
Graphic display	
two 7-segment displays	
one 7-segment display	

The possible cause of the fault is signalled by a corresponding fault number (see table). In the case of an error, the power unit shuts down.

The display of possible error numbers depends on the machine version (interfaces/functions).

- Document machine errors and inform service staff as necessary.
- If multiple errors occur, these are displayed in succession.

Error message	Possible cause	Remedy
E 0	Start signal set in the event of errors	Do not press the torch trigger or the foot-operated remote control
E 4	Temperature error	Allow the machine to cool down
E 5	Mains overvoltage	Switch off the machine and check the mains voltage
E 6	Mains undervoltage	
E 7	Electronics error	Switch the machine off and on again. If the error persists, notify service department
E 9	Secondary overvoltage	
E12	Voltage reduction error (VRD)	
E13	Electronics error	
E14	Adjustment error in current recording	Switch off the machine, place the electrode holder in an insulated position and switch the machine back on. If the error persists, notify service department
E15	Error in one of the electronics supply voltages	Switch the machine off and on again. If the error persists, notify service department
E23	Temperature error	Allow the machine to cool down
E32	Electronics error	Switch the machine off and on again. If the error persists, notify service department
E33	Adjustment error in voltage recording	Switch off the machine, place the electrode holder in an insulated position and switch the machine back on. If the error persists, notify service department
E34	Electronics error	Switch the machine off and on again. If the error persists, notify service department
E37	Temperature error	Allow the machine to cool down
E40	Motor fault	Check wire feed mechanism, switch the machine off and on again, inform the service department if the fault persists.
E51	Earth fault (PE error)	Connection between welding wire and machine casing
E55	Failure of a mains phase	Switch off the machine and check the mains voltage
E58	Short circuit in welding circuit	Switch off the machine and check welding current leads for correct installation, e.g. by placing the electrode holder in an insulated position; detach current lead from degaussing.

## 7.3 Display machine control software version

The query of the software versions only serves to inform the authorised service staff. It is available in the machine configuration menu > see 5.8 chapter.

## 7.4 Resetting welding parameters to the factory settings

All customised welding parameters that are stored will be replaced by the factory settings.

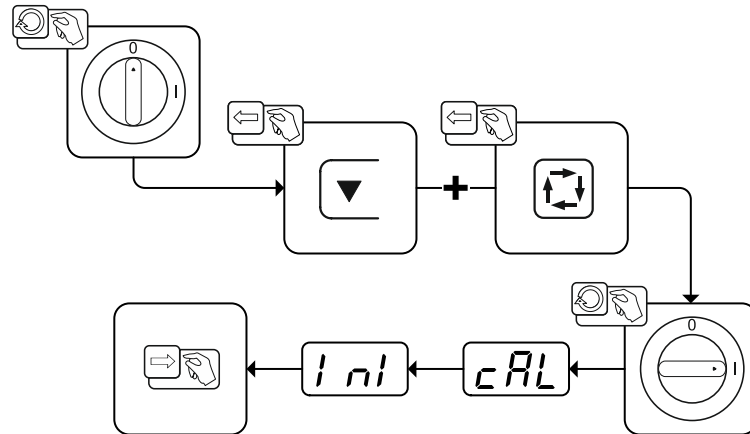


Figure 7-1

Display	Setting/selection
	<b>Calibration</b> The machine will be calibrated for approx 2 seconds each time it is switched on.
	<b>Initialising</b> Keep the push-button pressed until  is shown on the display.

## 8 Technical data

Performance specifications and guarantee only in connection with original spare and replacement parts!

### 8.1 Pico 220 cel puls

	MMA	TIG
Welding current (I <sub>2</sub> )	10 A to 220 A	
Welding voltage according to standard (U <sub>2</sub> )	20,4 V to 28,8 V	10,4 V to 18,8 V
Duty cycle DC at 40° C <sup>[1]</sup>	220 A (30 %) 160 A (60 %) 140 A (100 %)	
Open circuit voltage (U <sub>0</sub> )	97 V	
Open circuit voltage (U <sub>r</sub> ) VRD (AUS)	33 V	12 V
Open circuit voltage (U <sub>r</sub> ) VRD (RU)	12 V	12 V
Mains voltage (Tolerance)	3 x 400 V (-25 % to +20 %)	
Frequency	50/60 Hz	
mains fuse <sup>[2]</sup>	3 x 10 A	
Mains connection cable	H07RN-F4G1,5	
max. Connected load (S <sub>1</sub> )	8,0 kVA	5,2 kVA
Rec. Generator rating	10,8 kVA	
Cos φ / efficiency	0,99 / 88 %	
Protection class	I	
Overvoltage category	III	
Contamination level	3	
Insulation class / protection classification	H / IP 23	
Residual current circuit breaker	Type B (recommended)	
Noise level <sup>[3]</sup>	<70 dB(A)	
Ambient temperature	-25 °C to +40 °C	
Machine cooling	Fan (AF)	
Torch cooling	-	gas
Workpiece lead (min.)	35 mm <sup>2</sup>	
EMC class	A	
Safety marking	[S] / CE / EAC	
Standards used	See declaration of conformity (appliance documents)	
Dimensions (l x b x h)	428 x 136 x 252 mm 16.9 x 5.4 x 9.9 inch	
Weight	10,5 kg 23.1 lb.	

<sup>[1]</sup> Load cycle: 10 min. (60 % DC  $\pm$  6 min. welding, 4 min. pause)

<sup>[2]</sup> Safety fuses are recommended DIAZED xxA gG. When using automatic cutouts, the "C" trigger characteristic must be used.

<sup>[3]</sup> Noise level during idle mode and operation under standard load according to IEC 60974- 1 at the maximum operating point.

## 9 Accessories

Performance-dependent accessories like torches, workpiece leads, electrode holders or intermediate hose packages are available from your authorised dealer.

### 9.1 Transport system

Type	Designation	Item no.
Trolly 35-1	Transport vehicle	090-008629-00000

### 9.2 19-pole remote control

Type	Designation	Item no.
RT1 19POL	Remote control current	090-008097-00000
RTG1 19POL 5m	Remote control, current	090-008106-00000
RTG1 19POL 10m	Remote control, current	090-008106-00010
RTF1 19POL 5 M	Foot-operated remote control current with connection cable	094-006680-00000

#### 9.2.1 Connection cables

Type	Designation	Item no.
RA5 19POL 5M	Remote control e.g. connection cable	092-001470-00005
RA10 19POL 10m	Remote control e.g. connection cable	092-001470-00010
RA20 19POL 20m	Remote control e.g. connection cable	092-001470-00020

#### 9.2.2 Extension cable

Type	Designation	Item no.
RV5M19 19POLE 5M	Extension cable	092-000857-00000
RV5M19 19POL 10M	Extension cable	092-000857-00010
RV5M19 19POL 15M	Extension cable	092-000857-00015
RV5M19 19POL 20M	Extension cable	092-000857-00020

### 9.3 Options

Type	Designation	Item no.
ON Filter T.0003	Dirt filter for air inlet	092-002546-00000
ON Safeguard T.0003	Insulating protective cover	092-008767-00000
ON AL D13/27	Cap for load sockets	092-003282-00000

### 9.4 General accessories

Type	Designation	Item no.
GH 2X1/4" 2M	Gas hose	094-000010-00001
DM 842 Ar/CO2 230bar 30l D	Pressure regulator with manometer	394-002910-00030
16A 5POLE/CEE	Mains plug	094-000712-00000
KLF-L1-L2-L3-PE	Label of mains cable	094-023697-00000

## 10 Appendix

### 10.1 Parameter overview

#### 10.1.1 MMA welding

Display, welding data	Parameters/function	Setting range				
		Standard (ex works)	min.		max.	Unit
<u>PUL</u>	Pulse welding	off	off	-	on	
<u>FRE</u>	Pulse frequency	1,2	0,2	-	500	Hz
	Hot start current (AMP%)	120	50	-	200	%
	Hot start time	0,5	0,1	-	20,0	s
<u>ARC</u>	Arcforce correction	0	-10	-	10	
<u>BAL</u>	Pulse balance	30	1	-	99	%
<u>PL</u>	Pulse current	142	1	-	200	%
<u>USP</u>	Arc length restriction	off	off	-	on	

#### 10.1.2 TIG welding

Display, welding data	Parameters/function	Setting range				
		Standard (ex works)	min.		max.	Unit
<u>PUL</u>	Pulse welding	off	off	-	on	
<u>FRE</u>	Pulse frequency	2,8	0,2	-	2000	Hz
<u>ISE</u>	Ignition current	20	1	-	200	%
<u>UP</u>	Up-slope time	1,0	0,0	-	20,0	s
<u>BAL</u>	Pulse balance	50	1	-	99	%
<u>PL</u>	Pulse current	140	1	-	200	%
<u>USP</u>	Arc length restriction	on	off	-	on	



### 10.1.3 Basic parameters (independent of process)

Welding data display	Parameters/function	Setting range				
		Standard (factory set)	min.		max.	Unit
<input type="checkbox"/> on	Switched on					
<input type="checkbox"/> off	Switched off					
<input type="checkbox"/> CAL	Calibration					
<input type="checkbox"/> ini	Initialisation					
<input type="checkbox"/> CFG	Machine configuration					
<input type="checkbox"/> SBR	Time-based power-saving mode	20	off	-	60	min.
<input type="checkbox"/> APE	Arc detection for welding helmets (TIG)	off	off		on	
<input type="checkbox"/> End	Exit menu					
<input type="checkbox"/> SRV	Service menu					
<input type="checkbox"/> UER	Software version of the machine control					
<input type="checkbox"/> -	Power-saving mode is active					

## 10.2 Searching for a dealer

Sales & service partners  
[www.ewm-group.com/en/specialist-dealers](http://www.ewm-group.com/en/specialist-dealers)



"More than 400 EWM sales partners worldwide"