



**EN**

## Retrofit option

### ON DK drive 41 Wega 501/601

Pivot support - Wire feeder pivots 360° on the welding machine

099-000680-EW501

Observe additional system documents!

21.07.2017

**Register now  
and benefit!  
Jetzt Registrieren  
und Profitieren!**

[www.ewm-group.com](http://www.ewm-group.com)



## General instructions

### **WARNING**



#### **Read the operating instructions!**

**The operating instructions provide an introduction to the safe use of the products.**

- Read and observe the operating instructions for all system components, especially the safety instructions and warning notices!
- Observe the accident prevention regulations and any regional regulations!
- The operating instructions must be kept at the location where the machine is operated.
- Safety and warning labels on the machine indicate any possible risks. Keep these labels clean and legible at all times.
- The machine has been constructed to state-of-the-art standards in line with any applicable regulations and industrial standards. Only trained personnel may operate, service and repair the machine.
- Technical changes due to further development in machine technology may lead to a differing welding behaviour.



***In the event of queries on installation, commissioning, operation or special conditions at the installation site, or on usage, please contact your sales partner or our customer service department on +49 2680 181-0.***

***A list of authorised sales partners can be found at [www.ewm-group.com](http://www.ewm-group.com).***

Liability relating to the operation of this equipment is restricted solely to the function of the equipment. No other form of liability, regardless of type, shall be accepted. This exclusion of liability shall be deemed accepted by the user on commissioning the equipment.

The manufacturer is unable to monitor whether or not these instructions or the conditions and methods are observed during installation, operation, usage and maintenance of the equipment.

An incorrectly performed installation can result in material damage and injure persons as a result. For this reason, we do not accept any responsibility or liability for losses, damages or costs arising from incorrect installation, improper operation or incorrect usage and maintenance or any actions connected to this in any way.

© EWM AG

**Dr. Günter-Henle-Straße 8**

**56271 Mündersbach**

**Germany**

The copyright to this document remains the property of the manufacturer.

Copying, including extracts, only permitted with written approval.

The content of this document has been prepared and reviewed with all reasonable care. The information provided is subject to change; errors excepted.

## 1 For your safety

### 1.1 Safety instructions

#### WARNING



**Do not carry out any unauthorised repairs or modifications!**

**To avoid injury and equipment damage, the unit must only be repaired or modified by specialist, skilled persons!**

**The warranty becomes null and void in the event of unauthorised interference.**

- Appoint only skilled persons for repair work (trained service personnel)!



**Risk of accidents due to non-compliance with the safety instructions!**

**Non-compliance with the safety instructions can be fatal!**

- Carefully read the safety instructions in this manual!
- Observe the accident prevention regulations and any regional regulations!
- Inform persons in the working area that they must comply with the regulations!



***This document is valid only in combination with the operating instructions for the product being used!***

- ***Read and observe the operating instructions for all system components, especially the safety instructions!***

## 2 Intended use

### 2.1 General

#### WARNING



**Hazards due to improper usage!**

**The machine has been constructed to the state of the art and any regulations and standards applicable for use in industry and trade. It may only be used for the welding procedures indicated at the rating plate. Hazards may arise for persons, animals and material objects if the equipment is not used correctly. No liability is accepted for any damages arising from improper usage!**

- The equipment must only be used in line with its designated purpose and by trained or expert personnel!
- Do not improperly modify or convert the equipment!

### 2.2 Applications

Use the option described below to add a device to the welding system to rotate the wire feeder.

These instructions apply only for the conversion of the following machines:

- Wega 501 FDW
- Wega 601 FDW



***This option is not available in combination with the wheel assembly kit 090-008035-00000.***

### 2.3 Short description of the working steps required

- Install the option
- Install the wire feeder
- Perform final inspection

## 3 Conversion

### 3.1 General

#### **⚠ DANGER**



**Risk of injury from electric shock!**

**Servicing machines that are not disconnected from the mains can lead to serious injuries!**

- Disconnect the machine completely from the mains.  
Pull out the mains plug!
- Wait for 4 minutes until the capacitors have discharged!

### 3.2 Parts list

**Before conversion, check that the retrofit kit is complete (see parts list).**

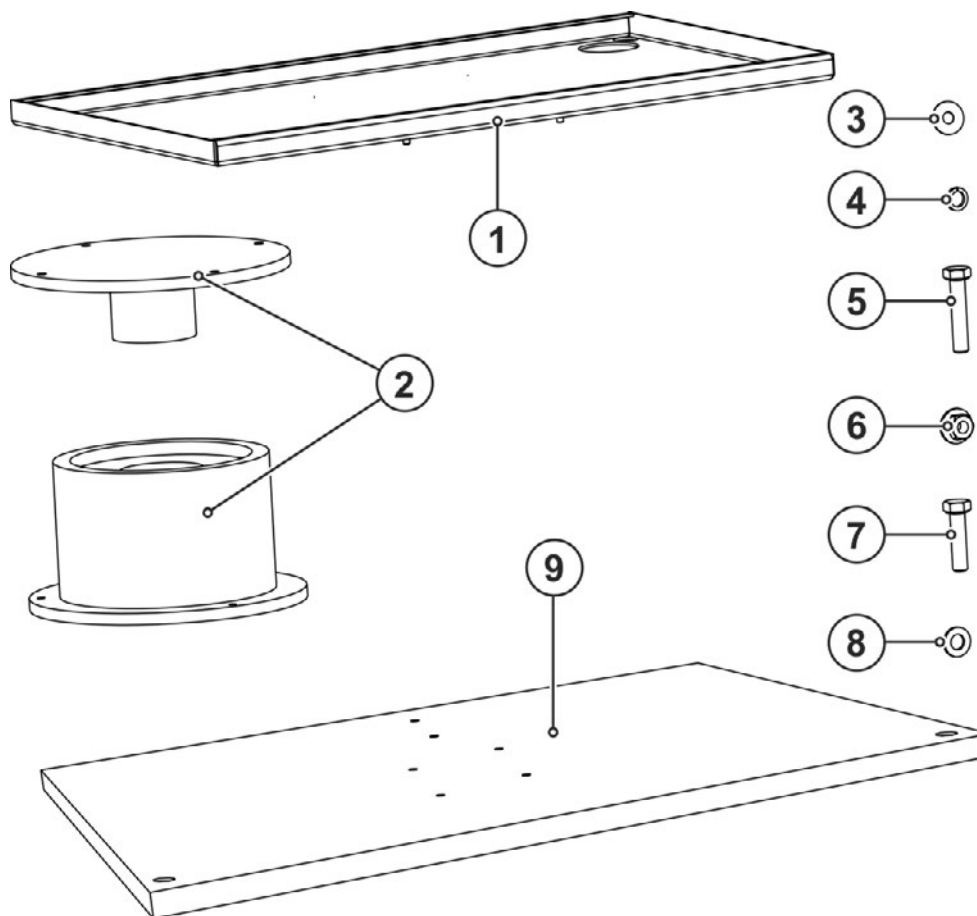


Figure 3-1

Item	Quantity	Description	Item number
1	1	Wire feeder support panel	094-001147-00004
2	1	Pivot support assembly	094-001066-00000
3	4	M5, Disk spring	064-000751-00000
4	4	M5, spring lock washer	064-000594-00000
5	1	M5 x 30, hexagonal screw	064-000676-00000
6	4	M5, serrated washer nut	094-001139-00000
7	3	M5 x 20, hexagonal screw	064-000635-00000
8	5	M5, plain washer	064-000582-00000
9	1	Pivot support panel	094-002799-00001

## 3.2.1 Assembly

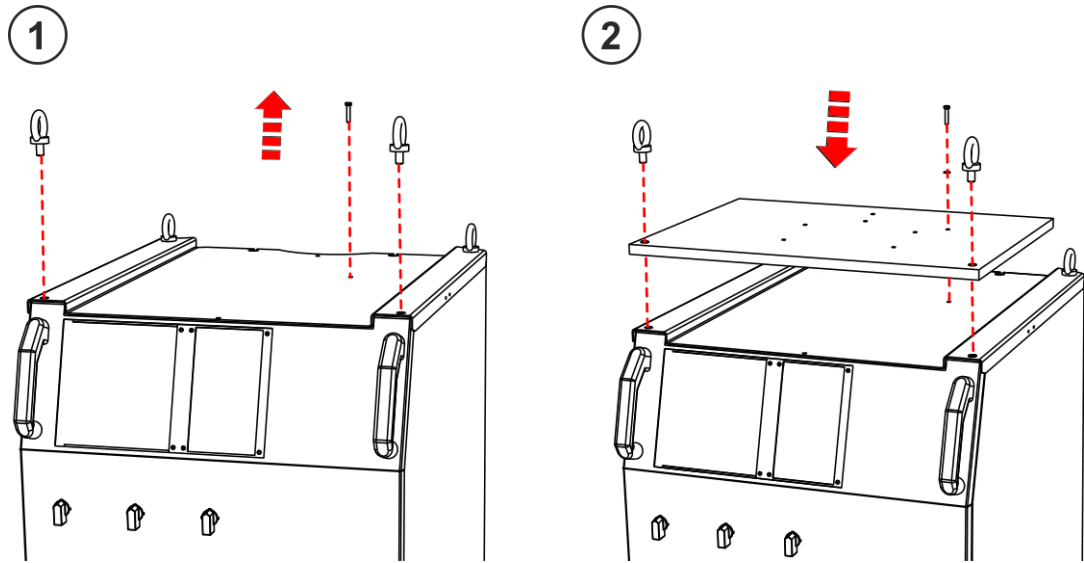


Figure 3-2

- Remove the wire feeder from the welding machine.
- Unscrew the front lifting eye.
- Unscrew the locking screw of the intermediate plate.
- Place the pivot support panel onto the welding machine.
- Screw the pivot support panel to the welding machine using the lifting eyes, the supplied M5 x 30 hexagonal screw, the M5 spring lock washer and the M5 plain washer.

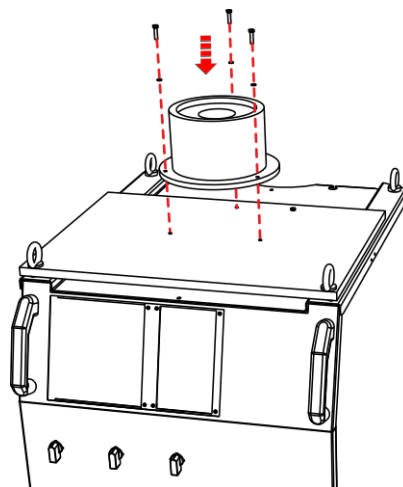


Figure 3-3

- Screw the lower section of the pivot support to the pivot support panel using 3 M5 x 20 hexagonal screws, M5 plain washers and M5 spring lock washers.

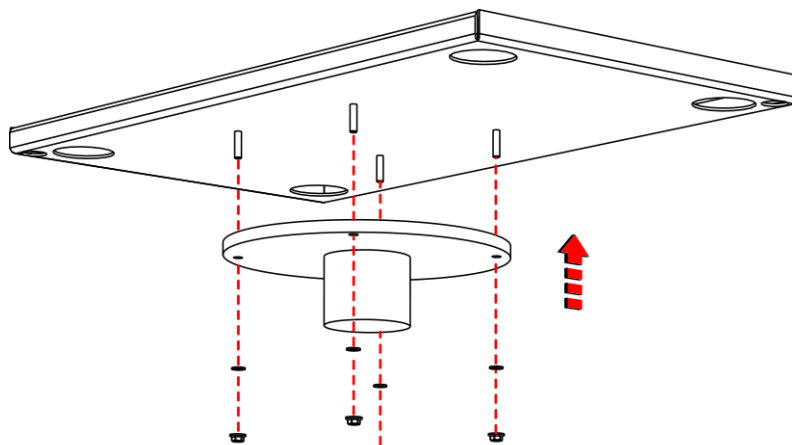


Figure 3-4

- Screw the upper section of the pivot support to the wire feeder support panel using 4 M5 nuts and M5 cup springs.

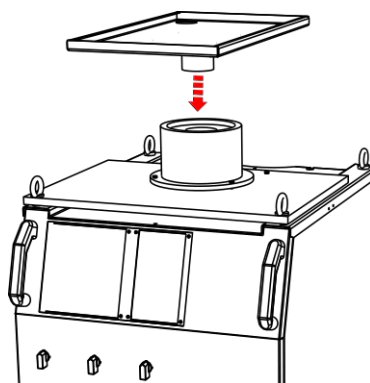


Figure 3-5

- Assemble the upper and lower sections of the pivot support as shown.

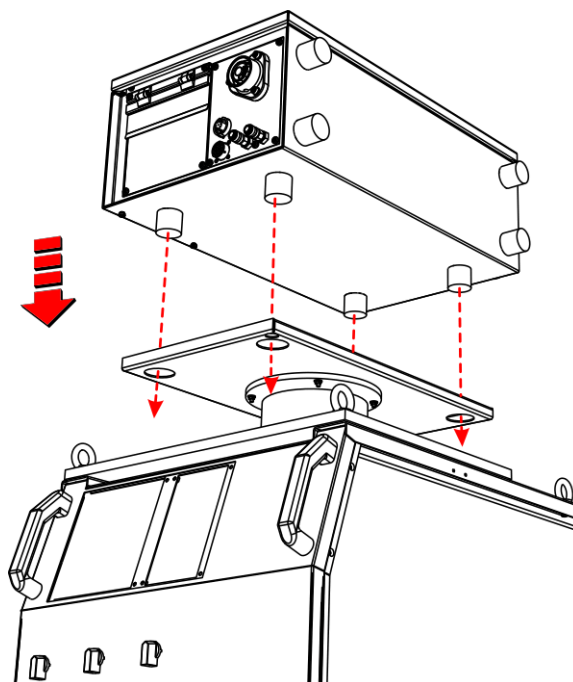


Figure 3-6

- With the help of a second person, place the wire feeder onto the wire feeder support panel.

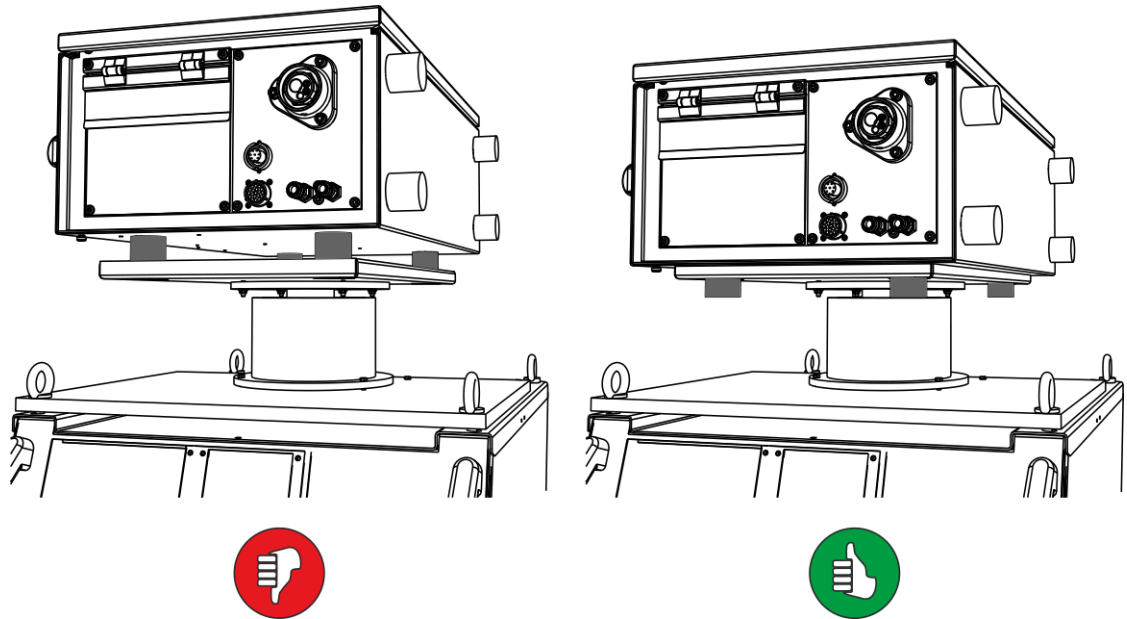


Figure 3-7

### 3.3 Final inspection

#### **⚠ WARNING**



**Danger due to failure to carry out the final inspection!**

**Parts that are incorrectly fitted or that become loose are a source of danger.**

- Check all mechanical connections to ensure that they are fitted correctly!
- Carry out the final inspection!
- Carry out the functional test!



**Keep the conversion instructions with the machine documentation!**

**When ordering spare parts, ensure that the item number and serial number of the machine are quoted!**